



Libro de partes S5-91 / S5-92

JACK

China No.1

Shanghai stock
listed

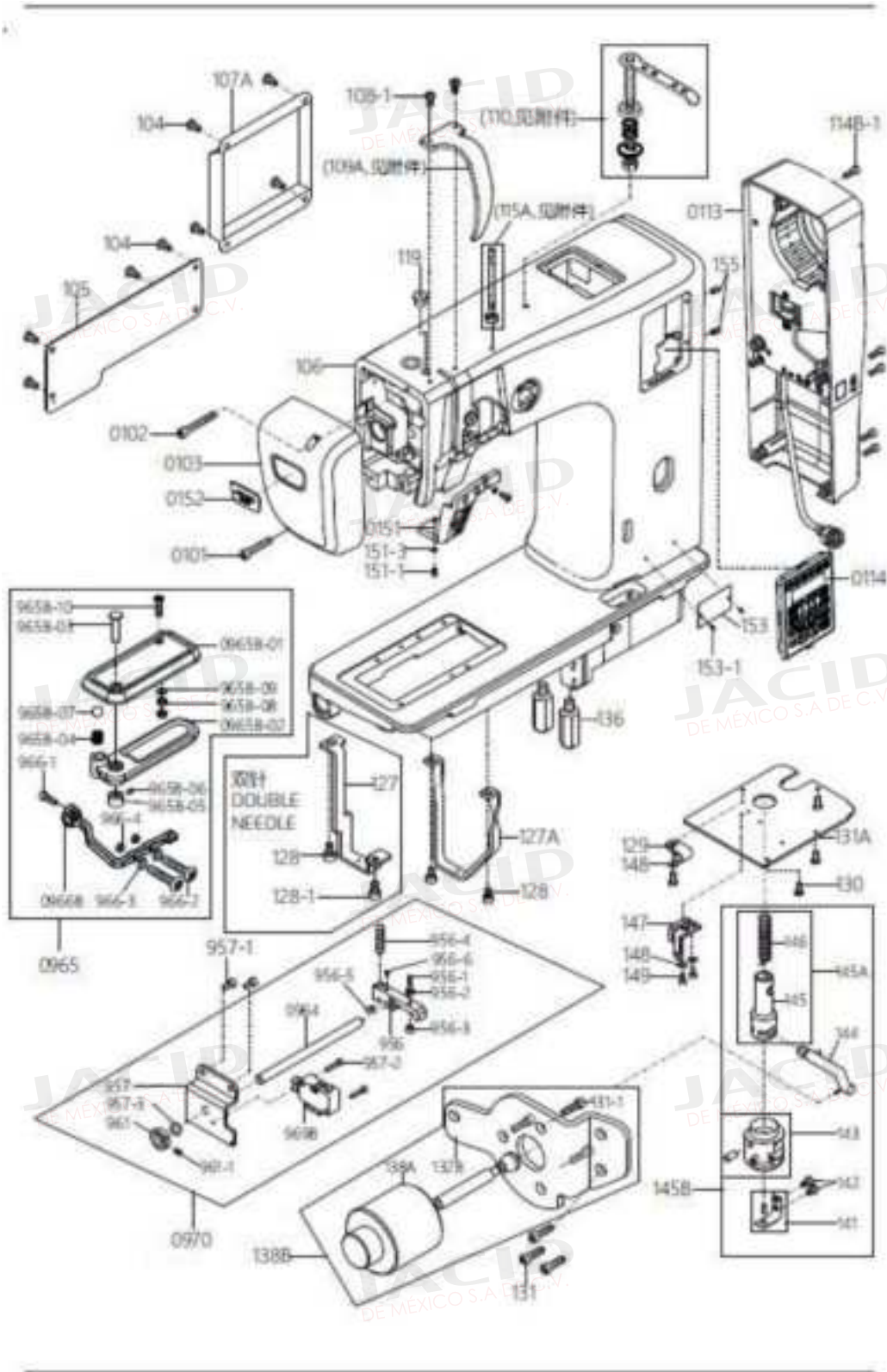
JACID
DE MÉXICO S.A DE C.V.

JACID
DE MÉXICO S.A DE C.V.

Contenido

1. Cabezal y sus accesorios	1
2. Mecanismo de la barra del prensatelas	3
3. Palanca de recogida y mecanismo de balanceo de la barra de agujas	5
4. Mecanismo de regulación de la tensión del hilo superior	7
5. Mecanismo de transmisión del eje superior y principal	9
6. Mecanismo inferior de alimentación y corte del hilo	11
7. Prensatelas de rodillo y mecanismo de eje lateral superior	13
8. Mecanismo de soporte lateral derecho	15
9. Mecanismo de soporte central de una sola aguja	17
10. Soporte lateral izquierdo de doble aguja y mecanismo de soporte central	19
11. Mecanismo de puntada inversa con doble aguja	21
12. Accesorios	23
13. Elementos eléctricos	25
14. Lista de piezas del manómetro	26
15. Accesorios S5/S7	27

1. Cabezal y sus accesorios



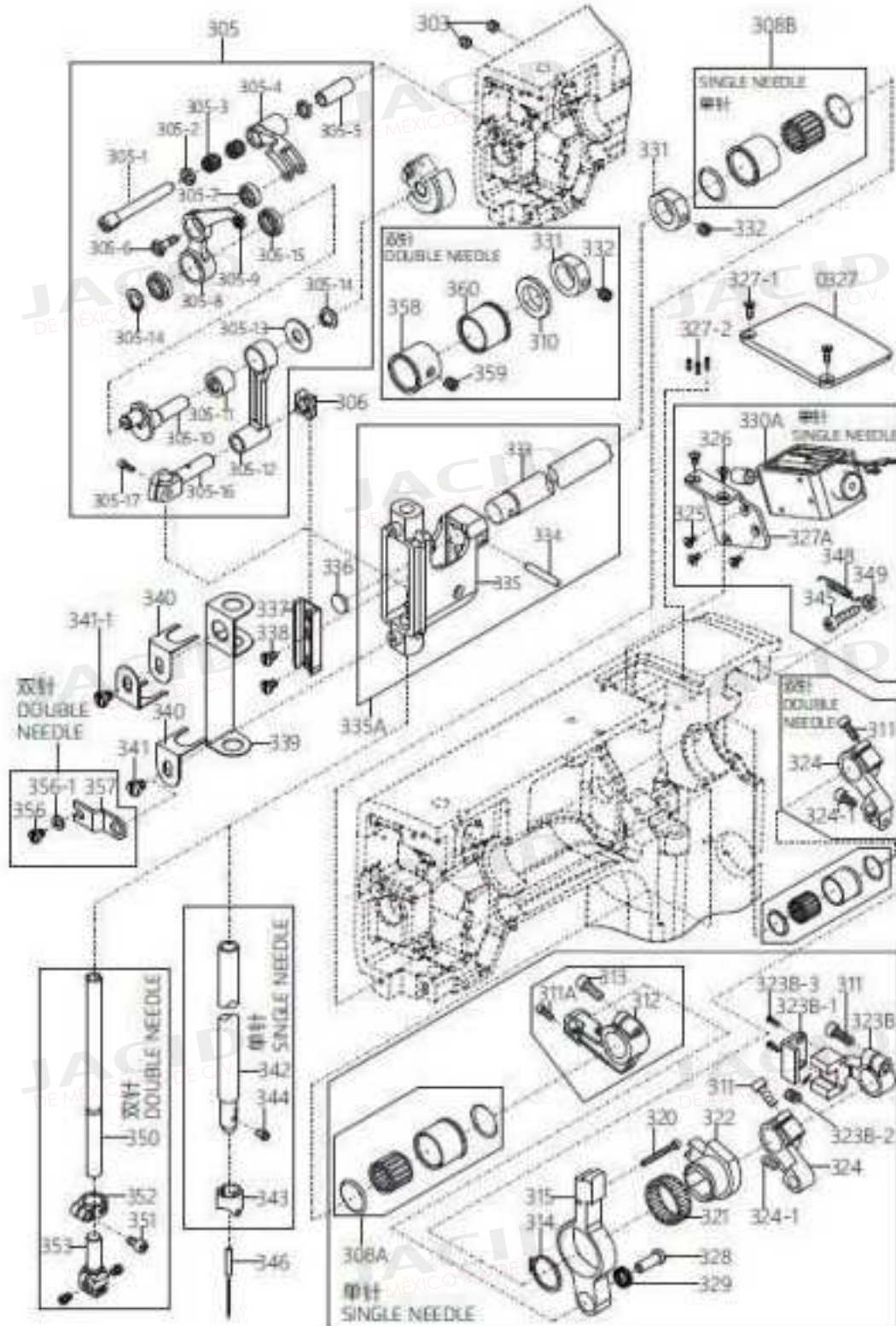
1. Cabezal y sus accesorios

序号 No.	件号 Part No.	零部件名称 PartName	零件描述 Description	数量 Amt.		备注
				55-91	55-92	
0101	925083	内六角圆柱头螺钉M5×30(镀镍)	Screw pan M5×30(Nickelpated)	1	1	
0102	421513046	内六角圆柱头螺钉M5×45(镀镍)	Screw pan M5×45(Nickelpated)	1	1	
0103	930000153	深喉	Face plate	1	1	喷漆
104	927863	内六角平头螺钉M4×8(镀镍)	Screw pan M4×8(Nickelpated)	8	8	
105	930000151	机壳防护盖	Cover	1	1	喷漆
0106	930000149	机壳组件	Machine shell components	1	1	喷漆
107A	930000055	大防尘板	Cover	1	1	喷漆
108-1	927864	内六角平头螺钉M5×10(镀镍)	Screw pan M5×10(Nickelpated)	2	2	
0113	15573000000	控制器组件	Machine electronic control	1	1	
0148-1	925955	内六角圆柱头螺钉M5×20	Screw pan M5×20	5	5	
0114	15573000100	操作面板组件	Panel	1	1	
119	155211003	油盖	Rubber plug	1	1	
127	155212003	支架B	Bracket B	0	1	
127A	155212004	支架	Bracket	1	1	
128	925962	内六角圆柱头螺钉M5×12	Screw pan M5×12	2	3	
028-1	925953	内六角圆柱头螺钉M5×10	Screw pan M5×10	0	1	
129	155211015	R型夹12.7	R type clamp 12.7	1	1	
130	1550NS11001	一字圆柱头螺钉M5×10	Screw pan M5×10	4	4	
131	925962	内六角圆柱头螺钉M5×12	Screw pan M5×12	3	3	
131A	155212042	底座盖	Bottom cover	1	1	
136	1552NS30001	六角钢	Bed leg	2	2	
0388	950800029	拍压脚电磁铁组件组装	Presser foot (Ifer) electromagnet assembly	1	1	
145B	15520200700	脚踏板压脚(组件)	Knee (Ifer) lever	1	1	
147	155212008	拉簧盖	Tension spring seat	1	1	
148	W07146	平垫圈M5	Fat washer M5	3	3	
149	925959	内六角圆柱头螺钉M5×8	Screw pan M5×8	2	2	
0151	15573000300	机头灯组件	Light switch assembly	1	1	
151-1	925941	内六角圆柱头螺钉 M3×6	Screw pan M3×6	2	2	
151-3	W07144	平垫圈M3	Fat washer M3	2	2	
0152	155701004	商标牌	Trade mark	1	1	
153	155237001	空白型号牌	Type number plate	1	1	
153-1	R03008	型号牌铆钉2.5×5	Rivet 2.5×5	2	2	
155	910072	内六角防松固定螺钉M4×10	Screw pan M4×10	2	2	
956	1552090018	开关盖板	Switch plate	1	1	
956-1	910073	内六角防松固定螺钉M4×16	Screw pan M4×16	1	1	
956-2	N01103	六角螺母M4	Nut M4	1	1	
956-3	155226009	限位柱	Limit column	1	1	
956-4	155227004	限位弹簧	Pin spring	1	1	
956-5	910080	内六角防松固定螺钉M5×6	Screw pan M5×6	1	1	
956-6	910074	内六角防松固定螺钉M4×4	Screw pan M4×4	1	1	
957	155212038	鱼线扳手皮	Reverse feed lever being plate	1	1	
957-1	925951	内六角圆柱头螺钉M5×10	Screw pan M5×10	2	2	
957-2	925938	内六角圆柱头螺钉M3×14	Screw pan M3×14	2	2	
957-3	O01151	O型橡胶密封圈	O-ring	1	1	
961	155008007	垫环	Stationary ring	1	1	
961-1	1550NS1M001	内六角防松固定螺钉M6×0.75×6	Screw pan M6×0.75×6	2	2	
0964	155702001	鱼线扳手轴	Reverse feed lever shaft	1	1	
0965	9508000228	鱼线扳手组件	Reverse wrench assembly	0	0	
0965B-01	155744001	鱼线扳手上盖	Cover for reverse wrench	1	1	
0965B-02	15574400200	旋转扳手组件	Rotary wrench assembly	1	1	
965B-03	155226010	定位销	Dowel pin	1	1	
965B-04	155227001	弹簧	Spring M4×5	1	1	
965B-05	155208001	锁圈	Lock ring	1	1	
965B-06	910074	内六角防松固定螺钉M4×4	Screw pan M4×4	1	1	
965B-07	1552090020	钢球5φ8	Steel ball 5φ8	1	1	
965B-08	N01105	六角螺母M3	Nut M3	2	2	
965B-09	W07144	平垫圈M3	Fat washer M3	1	1	
965B-10	927902	内六角圆柱头螺钉M3×16(镀镍)	Screw pan M3×16(Nickelpated)	1	1	
0966B	155705001	鱼线扳手连杆	Reverse watch connecting rod	1	1	
966-1	925951	内六角圆柱头螺钉M5×10	Screw pan M5×10	1	1	
966-2	924234	内六角平头螺钉M4×14	Screw pan M4×14	2	2	
966-3	W07145	平垫圈M4	Fat washer M4	2	2	
966-4	N01103	六角螺母M4	Nut M4	2	2	
969B	15573001300	点动开关	Inching switch	1	1	
0970	9508000229	鱼线点动开关组件组装	Reverse inching switch assembly	0	0	

2. Mecanismo de la barra del prensatelas

序号 NO.	件号 Part No.	零部件名称 PartName	零件描述 Description	数量 Amt		备注
				SS-91	BS-92	
205	S10080	内六角凹端紧定螺钉M5×6	Screw pan M5×6	1	1	
205-1	S10079	内六角凹端紧定螺钉M5×5	Screw pan M5×5	1	1	
206	155001001	压棒固定座	Setting seat of pressure bar	1	1	
207	1550NS14001	内六角凹端紧定螺钉M6×0.75×6	Screw pan M6×0.75×6	2	2	
208	155503002	压棒下套管	Running casing of pressure bar	1	1	
210	155007001	机导棒	Guide rods	1	1	
210-1	S10081	内六角凹端紧定螺钉M5×8	Screw pan M5×8	1	1	
211	155201004	轮线下座	Front seat	1	0	
212	155201005	轮线连接座	Connecting seat	1	1	
213	1550NS11012	一字通柱头螺钉	Screw	1	1	
214	155027001	弹簧	Spring	1	1	
215	155009002	顶针座	Thimble seat	0	1	
216	155228010	平垫圈	Flat washer	1	0	
217	1552NS12002	外六角螺丝	Bolt	1	1	
218	155202001	压棒	Pressure bar	1	0	
218-1	1550NS15001	螺钉	Screw	1	0	
219	1550NS11003	一字通柱头螺钉	Screw	1	1	
220	155027002	弹簧	Spring	1	1	
221	155004001	沙拉心轴组	Bobbin thread tensionism	1	1	
222	S10080	内六角凹端紧定螺钉M5×6	Screw pan M5×6	1	1	
223	930000148	压棒提杆	Lifting rod of pressure bar	1	1	喷漆
224	155203001	压棒提杆套管	Lifting sleeve of pressure bar	1	1	
226	155204006	压棒提升器	Lifter of pressure bar	1	1	
228A	155002001	压脚长轴组件	Presser foot long axis	1	1	
228-1	H03066	轴用弹性挡圈D	Circlips for shaft D	1	1	
229	155028001	调整垫片	Washer	1	1	
231	155012001	弹簧固定板	Spring fixing plate	1	1	
232	155227003	离合弹簧	Clutch spring	1	1	
233	155012002	弹簧固定板	Spring fixing plate	1	1	
234	155227001	拱形连接杆	Arch connecting lever	1	1	
235	S05952	内六角通柱头螺钉M5×12	Screw pan M5×12	2	2	
236	S12031	内六角通柱端紧定螺钉M6×30	Screw pan M6×30	1	1	
236-1	S09157	内六角通柱端紧定螺钉M6×35	Screw pan M6×35	1	1	
237	N01104	六角螺母M6	Nut M6	2	2	
238	H05026	开口挡圈4	E rings 4	1	1	
239	S05967	内六角通柱头螺钉M6×8	Screw pan M6×8	1	1	
240	155004003	上下输送臂	Upper and lower conveying arm	1	1	
241	155202002	压棒提杆轴	Pressure rod lifting shaft	1	1	
242	155208001	锁圈	lock ring	1	1	
243	S10074	内六角凹端紧定螺钉M4×4	Screw pan M4×4	1	1	
244	S10080	内六角凹端紧定螺钉M5×6	Screw pan M5×6	2	2	
247	W01145	平垫圈M4	Flat washer M4	1	1	
248	S05949	内六角通柱头螺钉 M4×8	Screw pan M4×8	1	1	
249	155211010	油管护罩	Tubing guard	1	1	
250	155202020	压棒(双针)	Pressure bar(Double needle)	0	1	
251	155303001	送料轮线上座(双针)	Front upper seat of feeding wheel(Double needle)	0	1	
252	S10080	内六角凹端紧定螺钉M5×6	Screw pan M5×6	0	1	
253	155301003	轮线下座(双针)	Below seat of wheel (Double needle)	0	1	
254	155301005	双针带护手靠边	Pull aside with hand guard (Double needle)	0	1	
255	1550NS11013	一字通柱头螺钉	Screw	0	1	
256	155544001	压脚调压螺钉	Lifting presser adjusting Screw	1	1	
257	1555NS16001	调压放锁螺母	Lifting presser adjusting nut	1	1	
258	155527001	压脚弹簧	Lifting presser spring	1	1	
258	155727004	压脚弹簧	Lifting presser spring			H机型

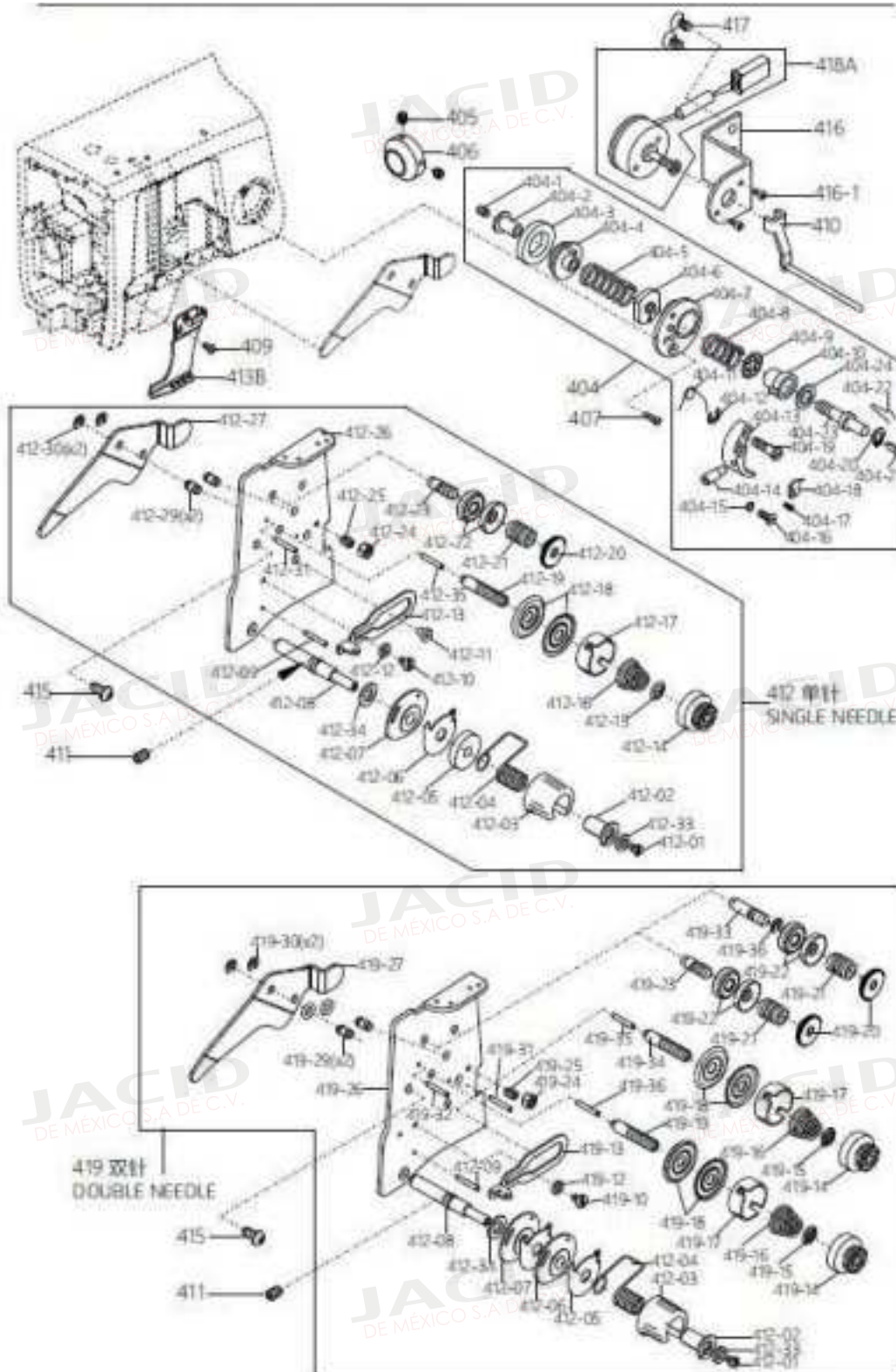
3. Palanca de recogida y mecanismo de balanceo de la barra de agujas



3. Palanca de recogida y mecanismo de balanceo de la barra de agujas

序号 NO.	件号 Part No.	零部件名称 PartName	零件描述 Description	数量 Amt.		备注
				55-91	55-92	
303	S10081	内六角门端固定螺钉M5×8	Screw pan M5×8	2	2	
305	15523800200	单针天杆组件	Thread take-up asm(Single needle)	1	0	
305	15523800100	双针天杆组件	Thread take-up asm(Double needle)	0	1	
306	155009003	针槽指引滑块	Needle bar guide slider	1	1	
308A	15512400100	滚针套筒组件(a23)	Casing of bearing(a23)	1	0	
308B	15512400200	滚针套筒组件(a24)	Casing of bearing(a24)	1	0	
310	155012008	垫片	Washer	1	2	
311	S05964	内六角圆柱头螺钉M6×16	Screw pan M6×16	2	1	
311A	S05952	内六角圆柱头螺钉 M5×12	Screw pan M5×12	1	0	
312	155201007	针送交臂	Needle delivery arm	1	0	
313	S05953	内六角圆柱头螺钉M5×14	Screw pan M5×14	1	0	
314	H03070	轴用弹性挡圈24	Circlips for shaft 24	1	0	
315	155205012	凸轮连杆	Cam connecting rod	1	0	
320	1552N513006	轴肩螺钉	Screw	1	0	
321	155024001	滚针滚珠	Needle bearing	1	0	
322	155209001	滑块凸轮	Slider cam	1	0	
323B	155209008	滑块凸轮导向座	Side cam guide seat	1	0	
323B-1	155212010	固定块	Fixed block	1	0	
323B-2	155227004	弹簧	Spring	1	0	
323B-3	S17895	内六角平圆头螺钉M3×6	Screw pan M3×6	2	0	
324	155201010	滑块凸轮摇杆	Swinging rod of slider cam	1	1	
324-1	S10080	内六角门端固定螺钉M5×6	Screw pan M5×6	1	1	
325	S12026	内六角沉头螺钉M4×6	Screw pan M4×6	3	0	
326	S12027	内六角沉头螺钉M4×8	Screw pan M4×8	2	0	
0327	930000150	盖板	Cover plate	1	1	备注
327-1	S12024	内六角沉头螺钉M4×12(镀锌)	Screw pan M4×12(Nickelpated)	2	2	
327-2	S10072	内六角门端固定螺钉M4×10	Screw pan M4×10	3	3	
327A	155212012	电磁铁固定板	Electromagnet fixed plate	1	0	
328	155026001	固定销(短)	Pin (short)	1	0	
329	155024002	滚针滚珠	Needle bearing	1	0	
330A	15523001900	针摆电磁铁组件	Needle pendulum electromagnet	1	0	
331	155008001	固定环	Retaining ring	1	2	
332	1550NS14001	内六角门端固定螺钉M6×0.75×6	Screw pan M6×0.75×6	1	2	
335A	15520101100	针槽座组件	Needle bar support frame	1	1	
336	155023001	油杯	Oil cotton	1	1	
337	155009004	针槽连接器导槽	Needle bar connecting link guide	1	1	
338	1550NS11013	一字圆柱头螺钉(薄)	Screw	2	2	
339	155023002	油杯	Oil cotton	1	1	
340	155012017	油杯压板	Pressboard of oil cotton	3	3	
341	1550NS11013	一字圆柱头螺钉(薄)	Screw	1	1	
341-1	1550NS11019	一字圆柱头螺钉(厚)	Screw	1	1	
342	155002002	单针针槽	Needle bar	1	0	
343	155703014	针槽缓冲环(加切口)	Ring damp	1	0	
344	1557NS11003	机针螺钉(进口)	Screw of needle (Imported)	1	0	
345	S05952	内六角圆柱头螺钉M5×12	Screw pan M5×12	1	0	
346	155217001	机针(NDP×5#16)	Needle NDP×5#16	1	2	
348	155227002	拉簧	Tension spring	1	0	
349	N01106	六角螺母M5	Nut M5	1	0	
350	155002003	双针针槽	Needle bar(Double needle)	0	1	
351	S05949	内六角圆柱头螺钉M4×8	Screw pan M4×8	0	1	
352	155008002	针槽缓冲环	Ring damp	0	1	
353	15531700300	针轴组件(2.4规格)	Pin chuck 2.4	0	1	
356	1550NS11007	一字半圆头螺絲M5×8	Screw M5×8	0	1	
356-1	W01146	平垫圈M5	Flat washer M5	0	1	
357	155012005	针槽固定板	Guide plate	0	1	
358	155303002	摆针轴左套筒	Left casing	0	1	
359	S10089	内六角门端固定螺钉M6×12	Screw pan M6×12	0	1	
360	155003005	摆针轴右套筒	Right casing	0	1	

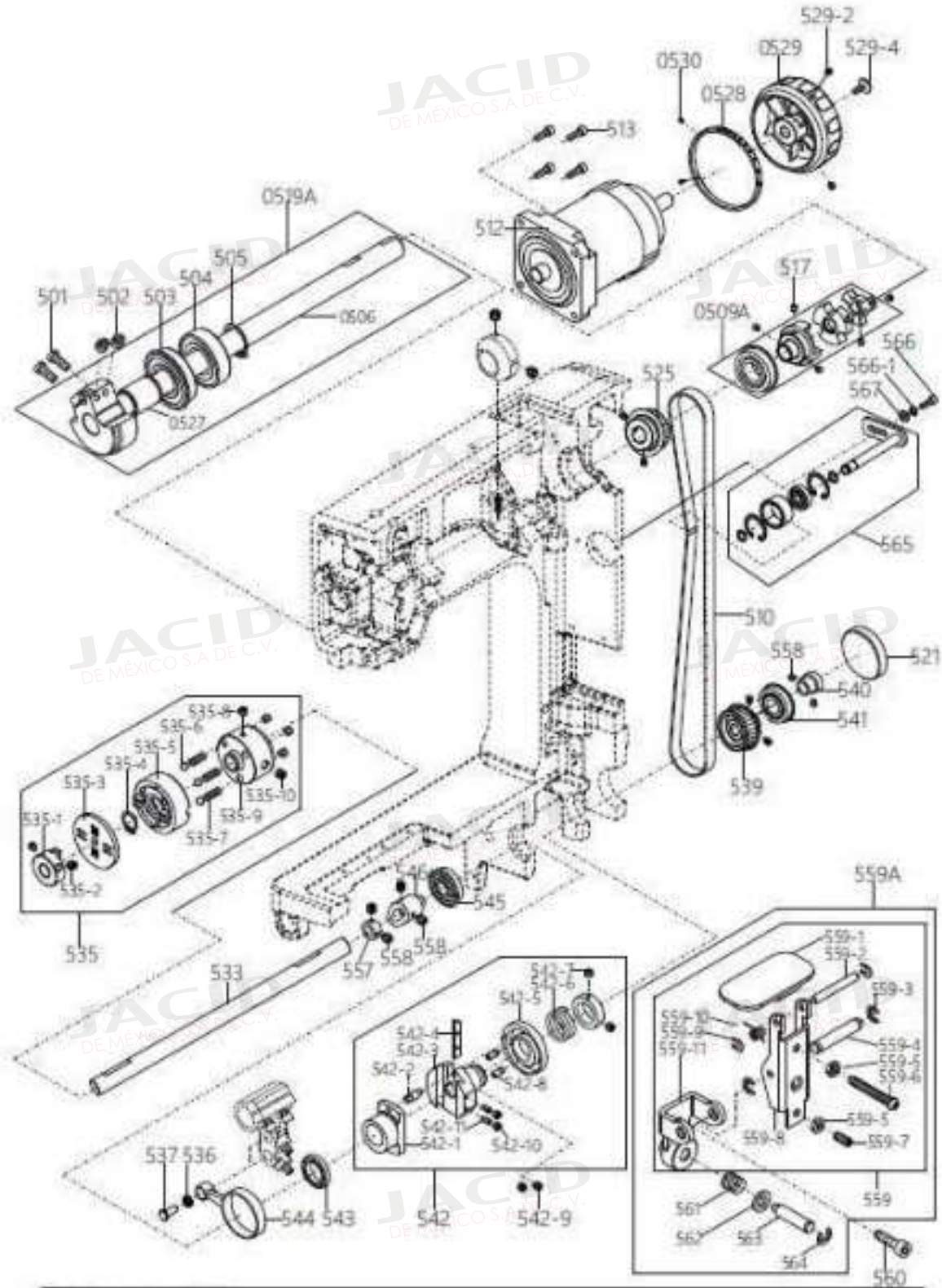
4. Mecanismo de regulación de la tensión del hilo superior



4. Mecanismo de regulación de la tensión del hilo superior

序号 NO.	件号 Part No.	零件名称 PartName	零件描述 Description	数量 Amt		备注
404	15521300100	绕线器组件	Bobbin winder unit	1	1	
405	510086	内六角圆头固定螺钉M6×8	Screw pan M6×8	2	2	
406	1552080303	锥形传动轮	Conical drive wheel	1	1	
407	155216517002	开槽沉头螺钉(镀锌)	Screw (Nickelplated)	1	1	
409	517884	内六角平圆头螺钉M5×10(镀锌)	Screw pan M5×10(Nickelplated)	1	1	
410	15521201400	松线组件	Tension releasing pin asm	1	1	
411	510081	内六角圆头固定螺钉M5×8	Screw pan M5×8	1	1	
412	15521300200	单针沙拉组件	Single needle Thread tension asm	1	0	
413B	155213003	过线板	Thread tension guide plate	1	1	
415	517883	内六角平圆头螺钉M4×8(镀锌)	Screw pan M4×8(Nickelplated)	1	1	
416	155212015	松线阀座	Solenoid valve fixing plate	1	1	
416-1	505940	内六角圆头螺钉M3×5	Screw pan M3×5	2	2	
417	512029	内六角沉头螺钉M5×10	Screw pan M5×10	2	2	
418A	155230021800	电磁阀组件(松线)	Solenoid valve (loose thread)	1	1	
419	15521300300	双针沙拉组件	Double needle Thread tension asm	0	1	

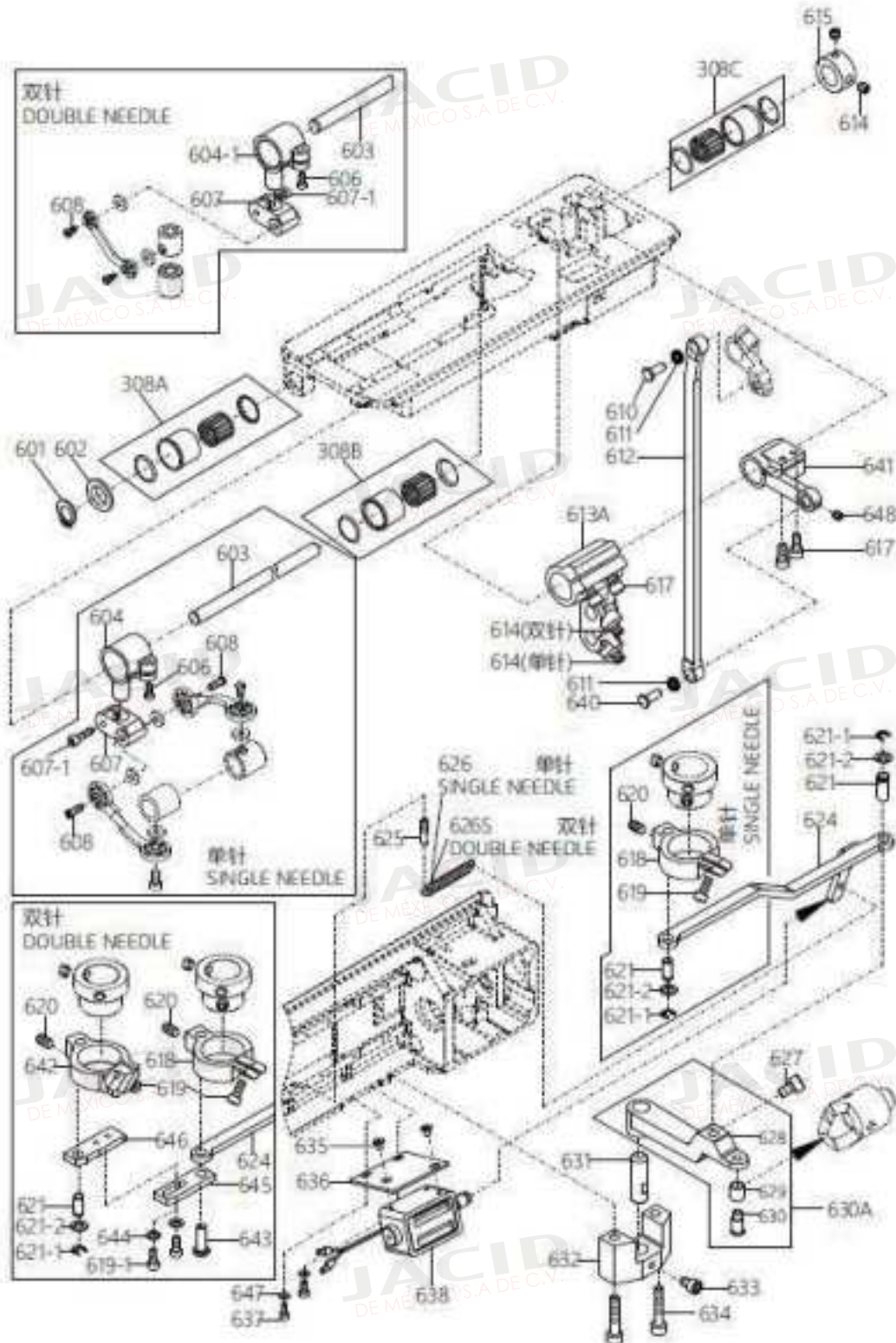
5. Mecanismo de transmisión del eje superior y principal



5. Mecanismo de transmisión del eje superior y principal

序号 NO.	件号 Part No.	零部件名称 PartName	零件描述 Description	数量 Amt.		备注
				95-97	95-97	
501	1550N51001	一字圆柱头螺钉M5×10	Screw pan M5×10	2	2	
502	1550N514001	内六角凹端紧定螺钉M6×0.75×6	Screw pan M6×0.75×6	2	2	
503	B02018	深沟球轴承(60/22ZZNR)	Ball bearing(60/22ZZNR)	1	1	
504	B04021	深沟球轴承(60/22ZZ)	Ball bearing(60/22ZZ)	1	1	
505	H03035	轴用弹性挡圈22	Cirdips for shaft 22	1	1	
0509A	15570300600	联轴器组件(带轴承)	Coupling components	1	1	
510	1557335005	同步带(加宽)	Synchronous belt	1	1	
512	15573300100	电机	Motor	1	0	
512	15573300200	电机(双针)	Motor(Double needle)	0	1	
513	505955	内六角圆柱头螺钉M5×20	Screw pan M5×20	4	4	
517	S10092	内六角凹端紧定螺钉M6×0.75×8	Screw pan M6×0.75×8	5	5	
0519A	15571000100	凸轮组件	Cam assembly	1	1	
521	155011002	保护盖	Protection cap	1	1	
525	15573500300	上齿形带轮(加宽)组件	Timing wheel asm(Up)	1	1	
0528	155703001	刻度环	Scale ring	1	0	
0528	155703009	双针刻度环	Double needle scale ring	0	1	
0529	930000167	手轮	Hand wheel	1	0	喷漆
0529	930000384	双针手轮	Double needle hand wheel	0	1	喷漆
529-2	S10086	内六角凹端紧定螺钉M6×8	Screw pan M6×8	2	2	
529-4	S17903	内六角半圆头带垫螺钉M6×10	Screw pan M6×10	1	1	
0530	207514009	内六角平端紧定螺钉	Screw pan M3×3	2	2	
533	155202018	万向连接轴(单带)	Universal connecting shaft	1	1	
535	15520101400	离合器组件	Clutch assembly	1	1	
536	155024002	滚针轴承	Needle bearing	1	1	
537	155026002	固定销(26)	Dowel pin (26)	1	1	
539	15573500400	下齿形带轮(加宽)组件	Timing wheel asm (down)	1	1	
540	155003007	轴承套盖(右)	Casing of bearing(right)	1	1	
541	155024005	滚珠轴承(BB6203ZZNR)	Ball bearing (BB6203ZZNR)	1	1	
542	15500700300	凸轮组件	Cam asm	1	1	
542-9	S10086	内六角凹端紧定螺钉M6×8	Screw pan M6×8	2	2	
543	155024014	滚珠轴承(B906ZZ)	Ball bearing (B906ZZ)	1	1	
544	155005002	连杆	Connecting rod	1	1	
545	155024013	滚珠轴承(BB6202ZZNR)	Ball bearing (BB6202ZZNR)	1	1	
546	155201015	剪线凸轮	Trimming cam	1	1	
557	155208005	定环	Fixed ring	1	1	
558	1550N514001	内六角凹端紧定螺钉M6×0.75×6	Screw pan M6×0.75×6	6	6	
559A	15521200700	送料调整按钮(胶套)	Feeding adjustment button asm	1	1	
560	505943	内六角圆柱头螺钉M4×10	Screw pan M4×10	1	1	
565	15523500100	带轮调节组件	Pulley regulate assembly	1	1	
566	505952	内六角圆柱头螺钉M5×12	Screw pan M5×12	1	1	
566-1	W02001	弹簧垫圈M5	Spring washer M5	1	1	
567	W01146	平垫圈M5	Flat washer M5	1	1	

6. Mecanismo inferior de alimentación y corte del hilo



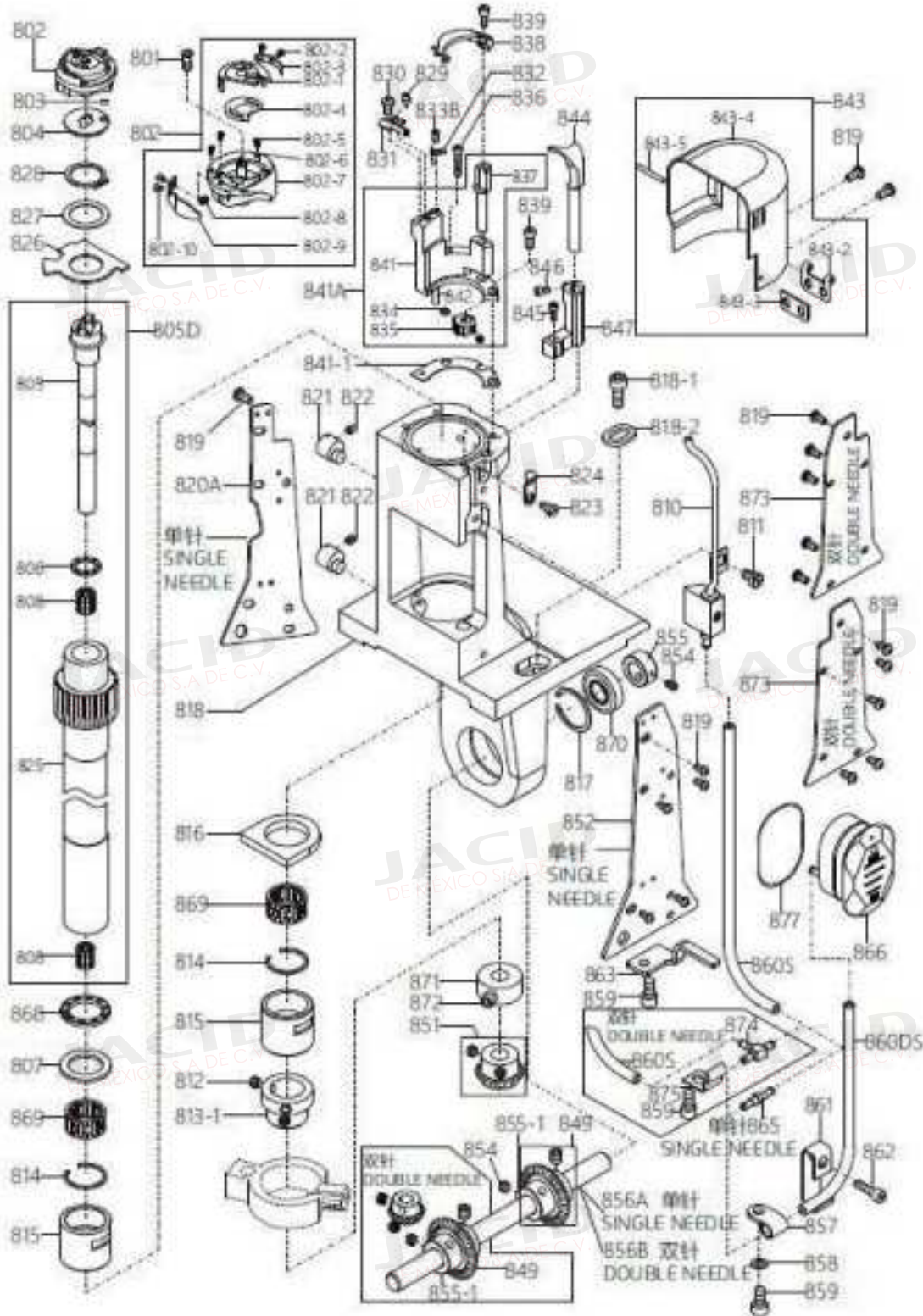
6. Mecanismo inferior de alimentación y corte del hilo

序号 NO.	件号 Part No.	零部件名称 PartName	零件描述 Description	数量 Amt.		备注
				55-91	55-92	
308A	15512400100	培林套管组件(a23)	Casing of bearing(a23)	1	1	
308B	15512400200	培林套管组件(a24)	Casing of bearing(a24)	1	1	
308C	15520300300	培林套管组件(a25)	Casing of bearing(a25)	1	1	
601	H03067	轴用弹性挡圈15	Circlips for shaft 15	1	1	
602	155012008	垫片	Washer	1	1	
603	155202006	下送料轴	Feed rocker shaft	1	1	
604	155004005	方向连接头	Crank	1	0	
604-1	155004006	方向连接头	Crank	0	1	
606	S05952	内六角圆柱头螺钉M5×12	Screw pin M5×12	1	1	
607	155004007	方向连接座	Damp	1	1	
607-1	S05943	内六角圆柱头螺钉M4×10	Screw pin M4×10	1	1	
608	1550N511016	一字圆柱头螺钉(长)	Screw	2	1	
610	155026002	固定销(26)	Dowel pin (26)	1	1	
611	155024002	滚针培林	Needle bearing	2	2	
612	155005003	连杆	Connecting rod	1	1	
613A	155204001	左单向输送支臂	Left one-way delivery arm	1	1	
614	1550N514001	内六角凹端紧定螺钉M5×0.75×6	Screw pin M5×0.75×6	3	3	
615	155008004	固定环	Retaining ring	1	1	
617	S05954	内六角圆柱头螺钉M5×16	Screw pin M5×16	4	4	
618	155204003	摆动连杆架	Swinging rod	1	1	
619	S05951	内六角圆柱头螺钉M5×10	Screw pin M5×10	1	2	
619-1	S05943	内六角圆柱头螺钉M4×10	Screw pin M4×10	0	2	
620	S10080	内六角凹端紧定螺钉M5×6	Screw pin M5×6	1	2	
621	155226004	摆杆销(短)	Pendulum pin	2	2	
621-1	H05914	开口挡圈5	E rings 5	2	2	
621-2	W01147	平垫圈M6	Flat washer M6	2	2	
624	155212018	拉杆	Pull rod	1	1	
625	155226005	拉簧销	Tension spring pin	1	1	
626	155227005	拉簧	Tension spring	1	0	
626S	155327001	双针拉簧	Double needle tension spring	0	1	
627	S05959	内六角圆柱头螺钉M5×8	Screw pin M5×8	1	1	
630A	15520400800	离合器臂(组件)	Clutch arm (asm)	1	1	
631	155202007	离合器轴	Clutch shaft	1	1	
632	155209010	剪线座	Trimmer	1	1	
633	S05959	内六角圆柱头螺钉M5×8	Screw pin M5×8	1	1	
634	S05957	内六角圆柱头螺钉M5×30	Screw pin M5×30	2	2	
635	S12026	内六角沉头螺钉M4×6	Screw pin M4×6	2	2	
636	155212019	电磁铁固定板	Electromagnet fixing plate	1	1	
637	S05951	内六角圆柱头螺钉M5×10	Screw pin M5×10	2	2	
638	15523000600	电磁铁(剪线)	Electromagnet(trimming)	1	1	
640	155226014	固定销(22)	Dowel pin(22)	1	1	
641	155204004	右单向输送支臂	Right one-way delivery arm	1	1	
642	155205005	双针左摆杆	Double needle left swing rod	0	1	
643	155226006	摆杆销	Pendulum pin	0	1	
644	W01145	平垫圈M4	Flat washer M4	0	2	
645	155212020	切线连接块一	Tangent connecting plate-I	0	1	
646	155212021	切线连接块二	Tangent connecting plate II	0	1	
647	W01146	平垫圈M5	Flat washer M5	2	2	
648	S10078	内六角凹端紧定螺钉M5×4	Screw pin M5×4	1	1	

7. Prensateles de rodillo y mecanismo de eje lateral superior

序号 NO.	件号 Part No.	零部件名称 PartName	零件描述 Description	数量 Amt.		备注
				SS-91	SS-92	
308A	15512400100	塔林套管组件(a23)	Casing of bearing(a23)	1	1	
308B	15512400200	塔林套管组件(a24)	Casing of bearing(a24)	1	1	
701	505949	内六角圆柱头螺钉M4×8	Screw pan M4×8	2	2	
702A	15520101600	轮线倒针座组件	Holder of backstitch asm	1	1	
705	155226007	固定销	Dowel pin	1	1	
706	505951	内六角圆柱头螺钉M5×10	Screw pan M5×10	2	2	
707	155204009	离合器后摆杆	Clutch rear swing lever	1	1	
708	155204010	离合器前摆杆	Clutch front swing lever	1	1	
710	155209004	方向轴承座	Universal bearing holder	1	1	
711	505966	内六角圆柱头螺钉M6×35	Screw pan M6×35	2	2	
712	H03068	轴用弹性挡圈16	Circlips for shaft 16	1	1	
713	155209005	摆杆连接块	Connecting block of swing bar	1	1	
714	155212022	垫片	Washer	1	1	
715	155227006	压簧	Compression spring	1	1	
716	15523000700	电磁铁(轮线离合)	Backstitch solenoid valve	1	1	
717	1550NS11012	一字圆柱头螺钉	Slotted head screw	1	1	
718	15522500300	轮线组件	Roller press asm	1	1	
719	155225004	轮线倒针下离合器	Lower dutch of backstitch	1	1	
720	155225005	轮线倒针上离合器	Upper dutch of backstitch	1	1	
721	1550NS14001	内六角防锈固定螺钉M6×0.75×6	Screw pan M6×0.75×6	2	2	
722	155202026	滚针联轴器上节 配进口	Roller coupling shaft (upper)	1	1	
723	P03056	弹性销 3×10	Elastic pin 3×10	1	1	
724	H05913	开口挡圈8	E-type buckle 8	4	4	
725	155012011	调整垫片	Adjusting washer	4	4	
726	155203005	单向轴承座 配进口	One-way bearing holder	2	2	
727	155724002	滚针塔林 进口	Needle bearing	2	2	
728	155227010	压簧	Compression spring	1	1	
729	155212023	垫圈	Washer	1	1	
730	155024011	方向塔林	Universal bearing	1	1	
731	155012013	C型扣环	C-shaped buckle	2	2	
732	155023003	油棉垫	Oil cotton pad	5	5	
733	155005005	方向连杆	Universal connecting rod	0	1	
733-1	155205002	方向连杆A	Universal connecting rod A	1	1	
733-2	155205003	方向连杆B	Universal connecting rod B	1	0	
734	505943	内六角圆柱头螺钉M4×10	Screw pan M4×10	5	5	
735	155004005	方向连接头	Crank	1	1	
736	505952	内六角圆柱头螺钉M5×12	Screw pan M5×12	1	1	
737	155012008	垫片	Washer	1	1	
738	155004007	方向连接座	Clamp	1	1	
740	155202009	上边心轴	Shaft	1	1	
741	155008001	固定环	Retaining ring	1	1	
742	1550NS14001	内六角防锈固定螺钉M6×0.75×6	Screw pan M6×0.75×6	1	1	
743	512030	内六角沉头螺钉M5×12	Screw pan M5×12	2	2	
744	155201006	轮线座固定块	Link block	1	1	

8. Mecanismo de soporte lateral derecho



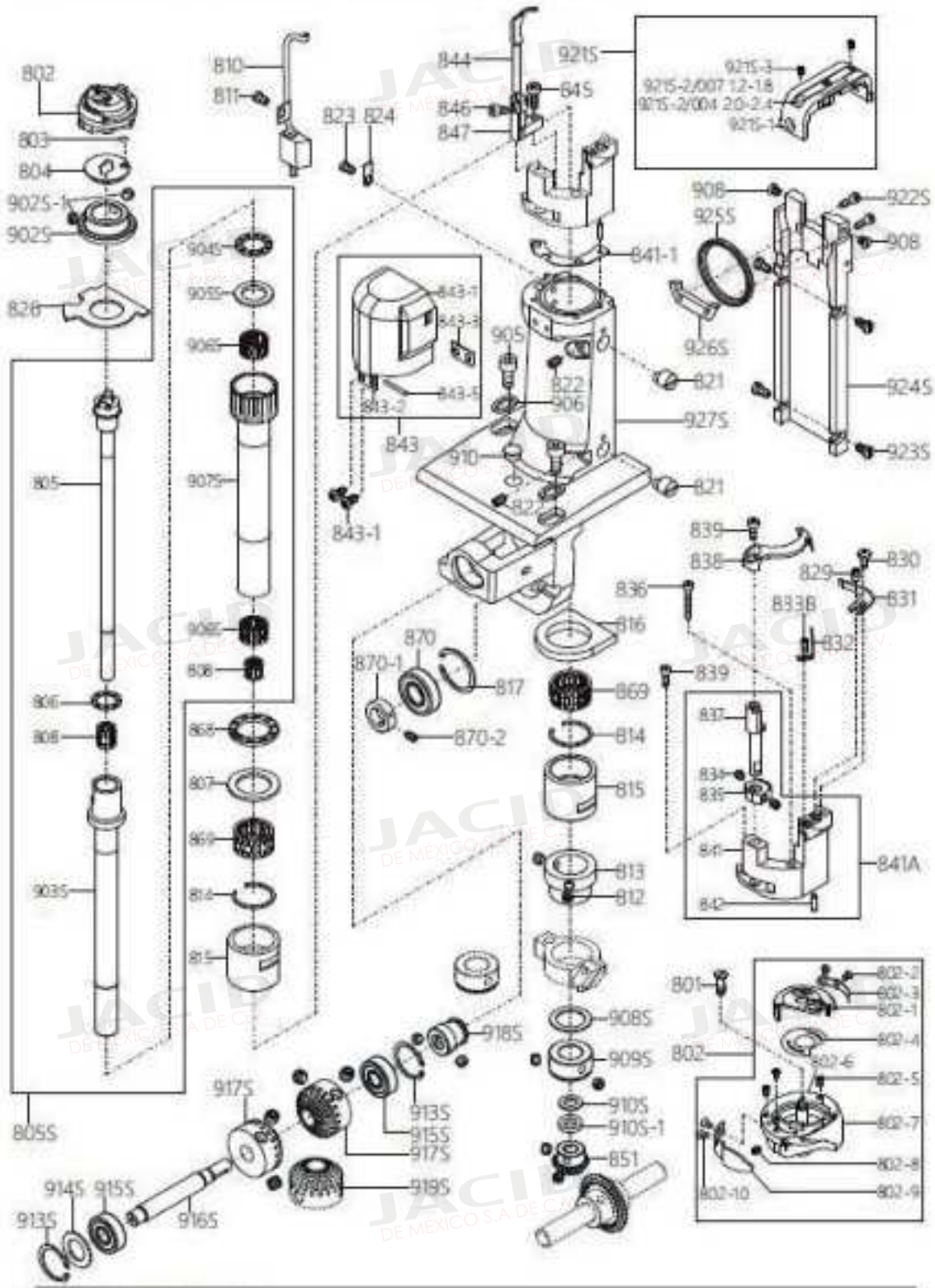
8. Mecanismo de soporte lateral derecho

序号 No.	件号 Part No.	零部件名称 PartName	零件描述 Description	数量 Amt.		备注
				55-51	55-52	
801	1552061014	一字沉头螺钉	Screw part	1	1	
802	15521800120	连接附件	Hook arm	1	1	
803	001154	O型圈	O-ring	1	1	
804	155209013	大套护圈	Cauldron fender	1	1	
8050	15521201403	斜口钳剪管零件	Hook driver	1	1	
807	155228000	轴承盖片	Reesting gasket	1	1	
810	15522100200	衬套(附件)	Tubing (arm)	1	1	
811	15520611013	一字沉头螺钉(标准)	Screw	1	1	
812	15520614001	内六角圆头沉头螺钉M6×0.75×6	Screw part M6×0.75×6	2	2	
813-1	155206002	套筒衬套型	Running casing	1	1	
814	155229001	卡簧	Circlip	2	2	
815	155203009	轴衬套管	Axe shaft casing	2	2	
816	155223001	油棉垫	Oil cotton pad	1	1	
817	H0107	孔用弹性挡圈	Circlips for hole 28	1	1	
818	930000057	右衬套	Right side seat (spray paint)	1	1	喷漆
818-1	501963	内六角圆头螺钉M6×20(喷漆)	Screw part M6×20(spray painted)	2	2	
818-2	155229002	垫块	Washer	2	2	
819	517883	内六角平圆头螺钉M4×6(喷漆)	Screw part M4×6(Nickel plated)	12	12	
820A	930000690	左罩板的缺口	Front side cover (spray paint)	1	0	喷漆
821	155206003	调整销	Adjusting pin	2	2	
822	510076	内六角圆头沉头螺钉M6×6	Screw part M6×6	2	2	
823	15520611001	开槽圆头螺钉	Screw	1	1	
824	155213028	弹簧板	Spring plate	1	1	
826	155222001	橡皮垫	Rubber mat	1	1	
827	155228003	垫片	Washer	1	1	
828	H03069	轴用弹性挡圈	Circlips for shaft 20	1	1	
829	155228008	调整销	Adjusting pin	1	1	
830	15520620001	固定螺钉(进口)	Screw of fixed knife (imported)	1	1	
831	155219001	刀片	Fixed knife	1	1	
832	155213029	薄片	Shrapnel	1	1	
833B	15520620003	固定并螺钉(进口)	Screw of shrapnel (imported)	1	1	
836	501946	内六角圆头螺钉M4×25	Screw part M4×25	1	1	
838	155219002	刀片	Moving knife	1	1	
839	501943	内六角圆头螺钉M4×10	Screw part M4×10	2	2	
843A	1552101900	刀架附件	Tool holder assembly	1	1	
843-1	155210130	刀架垫片	Gasket of Tool holder	1	1	
843	1552101100	刀架盖帽	Tool cap	1	1	
844	155202015	半套	Rotating hook opener	1	1	
845	501944	内六角圆头螺钉M4×12	Screw part M4×12	1	1	
846	501949	内六角圆头螺钉M4×8	Screw part M4×8	1	1	
847	155209014	牛角固定座	Rotating hook opener bracket	1	1	
849	155205003	大齿轮	Bevel gear (large)	1	2	
851	155205004	小齿轮	Bevel gear (small)	1	1	
852	930000059	后边盖板	Rack side cover (spray paint)	1	0	喷漆
854	15520614001	内六角圆头沉头螺钉M6×0.75×6	Screw part M6×0.75×6	4	6	
855	155208005	限位	Fixed ring	1	1	
855-1	155208005	限位	Fixed ring	1	2	
855A	155202016	万向连接轴	Universal connecting shaft	1	0	
856B	155202017	万向连接轴	Universal connecting shaft	0	1	
857	155210130	油管护罩	Tubing guard	1	1	
858	W0145	平垫圈M4	Flat washer M4	1	1	
859	501949	内六角圆头螺钉M4×8	Screw part M4×8	2	3	
860D5	155210106	油管(600mm)	Tubing (600mm)	1	1	
8605	15521001	油管	Tubing	1	2	
861	155212033	螺母	Plt-yield drill	1	1	
862	501945	内六角圆头螺钉M4×16	Screw part M4×16	1	1	
863	155212034	护线架	Thread guard	1	1	
865	155216001	油管接头	The tubing connector	1	0	
866	15521011	油嘴	Oil nozzle	1	1	
868	155204013	平面轴承	Plane bearing	1	1	
869	155224014	滚针轴承	Needle bearing	2	2	
870	B1046	滚珠轴承(001-282/22)	Ball bearing(001-282/22)	1	1	
871	155208006	限位	Stationary ring	1	1	
872	501974	内六角平圆头沉头螺钉M6×0.75×4	Screw part M6×0.75×4	2	2	
873	910000060	密封边盖帽	Side cover (O-ring needle)	0	2	喷漆
874	155206002	油管接头三通	Oil pipe (tee part)	0	1	
875	155212036	螺母	Plt-yield drill	0	1	
877	00148	O型圈 32×1	O-ring 32×1	1	1	

9. Mecanismo de soporte central de una sola aguja

序号 NO.	件号 Part No.	零件名称 PartName	零件描述 Description	数量 Amt.		备注
				SS-01	SS-02	
727	155724002	滚针轴承 进口	Needle bearing	2	0	
732	155023003	油棉垫	Oil cotton pad	4	0	
817	H01107	孔用弹性挡圈 Z8	Circlips for hole Z8	1	0	
870	801046	滚珠轴承(6001-2RZ/ZZ)	Ball bearing(6001-2RZ/ZZ)	1	0	
870-1	155208007	定环	Stationary ring	1	0	
870-2	510075	内六角凹端固定螺钉 M4×5	Screw pan M4×5	2	0	
901	15571500100	单针托板(带孔)	Throat plate	1	0	
903	505952	内六角圆柱头螺钉 M5×12	Screw pan M5×12	2	0	
904	15508511015	一字圆柱头螺钉	Screw	1	0	
905	505963	内六角圆柱头螺钉 M6×20(镀锌)	Screw pan M6×20(Nickel plated)	2	0	
906	155028002	垫片	Washer	4	0	
907	155026005	调整销	Adjusting pin	1	0	
908	1557NS17001	针板座螺钉(进口)	Screw(imported)	2	0	
909	510077	内六角凹端固定螺钉 M4×8	Screw pan M4×8	1	0	
910	155211003	油盖	Rubber plug	1	0	
910DG	930000368	单针中座	Support plate	1	0	喷漆
911DG	155725001	中座小齿轮	Bevel gear	1	0	
912DG	155725002	中座大齿轮	Bevel gear	2	0	
913DG	155704003	摆杆座	Swing rod seat	1	0	
914DG	505943	内六角圆柱头螺钉 M4×10	Screw pan M4×10	2	0	
915DG	510076	内六角凹端固定螺钉 M4×6	Screw pan M4×6	1	0	
916F	15572400300	单向轴承组件	Unidirectional ballinx assembly	1	0	
918DG	505940	内六角圆柱头螺钉 M3×5	Screw pan M3×5	2	0	
919DG	P01082	圆柱销 3×8 h6/g6	Cylindrical pin 3×8	2	0	
920DG	155704002	下凸轮摆杆	Lower back seam swing bar	1	0	
921DG	155704004	拉簧固定座	Spring fixing plate	1	0	
923DG	155727001	拉簧	Tension spring	1	0	
924DG	505942	内六角圆柱头螺钉 M3×8	Screw pan M3×8	1	0	
925DG-1	155205002	方向连杆 A	Universal connecting rod A	1	0	
925DG-2	155205003	方向连杆 B	Universal connecting rod B	1	0	
926DG	H03068	轴用弹性挡圈 16	Circlips for shaft 16	1	0	
928DG	155209005	摆杆连接块	Connecting block of swing bar	1	0	
929DG	155212022	垫片	Washer	1	0	
930DG	155727002	锥形弹簧	Conical spring	1	0	
931DG	155712003	电磁铁固定板	Electromagnet fixed plate	1	0	
940DG	155726001	圆柱销	Cylindrical pin	1	0	
942DG	505991	内六角圆柱头螺钉 M3×20	Screw pan M3×20	1	0	
943DG	N01105	六角螺母 M3	Nut M3	1	0	
944DG	W01146	平垫圈 M5	Flat washer M5	3	0	
946DG	W01144	平垫圈 M3	Flat washer M3	1	0	
915	510075	内六角凹端固定螺钉 M4×5	Screw pan M4×5	2	0	
916	155203010	套筒	Casing	1	0	
916A	155003009	下套筒	Running casing	1	0	
916C	155224015	滚针轴承	Needle bearing	1	0	
917	155002005	中轴轴	Shaft	1	0	
918	510078	内六角凹端固定螺钉 M5×4	Screw pan M5×4	2	0	
919	155009009	轴连接器	Shaft connector	1	0	
920A	15500900900	单针送丝组件	Single needle feeding component	1	0	
921	155011005	塑料接头	Plastic connector	1	0	
913S	155012014	C型扣环	C-shaped buckle	2	0	
915S	155024012	轴承 608ZZ	Bearing 608ZZ	1	0	
915F	804094	轴承 6900-ZZ	Bearing 6900-ZZ	1	0	
928S	155224016	单向轴承座 NA/SK	One-way bearing holder NA/SK	1	0	
928S-1	155703010	单向轴承座 /NA	One-way bearing holder /NA	1	0	
930S	1557NS11001	一字圆柱头螺钉(短)	Screw pan	2	0	
941S	W01145	平垫圈 M4	Flat washer M4	2	0	
942S	505949	内六角圆柱头螺钉 M4×8	Screw pan M4×8	2	0	
948S	15523000300	下凸轮电磁铁	Needle pendulum electromagnet	1	0	
951S	505951	内六角圆柱头螺钉 M5×10	Screw pan M5×10	3	0	

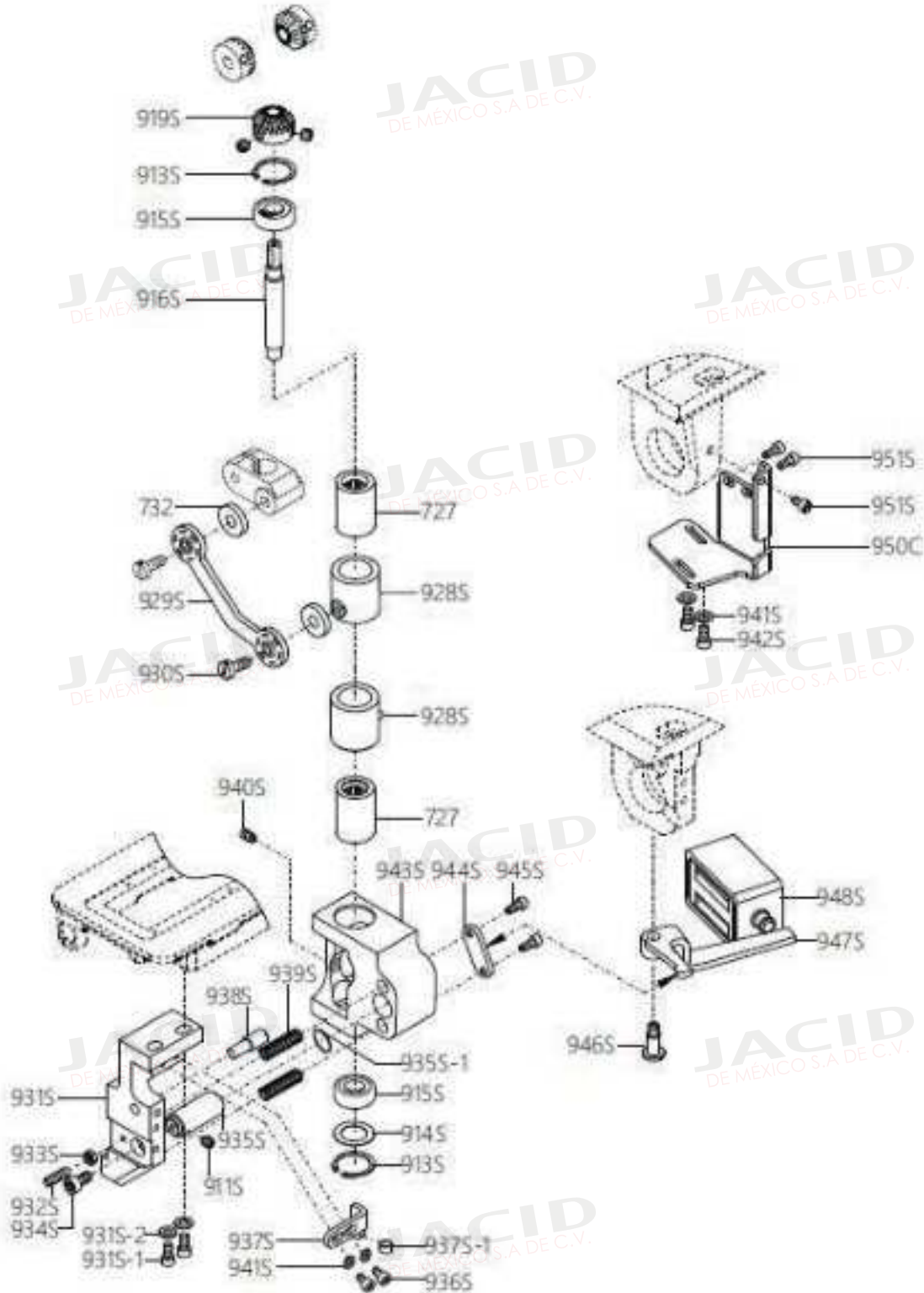
10. Soporte lateral izquierdo de doble aguja y mecanismo de soporte central



10. Soporte lateral izquierdo de doble aguja y mecanismo de soporte central

序号 No.	件号 Part No.	零部件名称 Partname	零件描述 Description	数量 Amt.		备注
				05-01	05-02	
801	1550N51014	一字沉头螺钉	Screw pan	0	1	
802	1552100700	钩状附件	Hook arm	0	1	
803	007154	O型圈	O-ring	0	1	
804	155209003	大翼衬套	Cushion tender	0	1	
805	15530200100	双针驱动装置附件	Hook driver (Double needle)	0	1	
807	155220002	轴承盖片	Bearing gasket	0	1	
810	15522100200	进给附件	Tubing (arm)	0	1	
811	1550N51013	一字沉头螺钉(黑)	Screw	0	1	
812	1550N5M001	内六角沉头螺钉(M6×0.75×6)	Screw pan M6×0.75×6	0	2	
813-1	155208002	套筒衬套	Running sleeve	0	1	
814	155221001	衬套	Ordn.	0	2	
815	155203009	轴衬套	Axe shaft casing	0	2	
816	155223001	油棉垫	Oil cotton pad	0	1	
817	H01107	无屑弹性油封	O-rings for hole 2#	0	1	
821	155226003	调整销	Adjustg pin	0	2	
822	510076	内六角沉头螺钉(M4×6)	Screw pan M4×6	0	2	
823	1552N51001	开槽沉头螺钉	Screw	0	1	
824	155210028	弹簧板	Spring plate	0	1	
826	155222001	橡胶垫	Rubber mat	0	1	
829	155226008	调整销	Adjustg pin	0	1	
830	1552N520001	定刀螺钉(进口)	Screw of feed knife(imported)	0	1	
831	155219001	压刀	Feed knife	0	1	
832	155210029	薄片	Shrapnel	0	1	
833	1552N51003	薄片螺钉(进口)	Screw of shrapnel (imported)	0	1	
836	505946	内六角沉头螺钉(M4×25)	Screw pan M4×25	0	1	
838	155219002	动刀	Moving knife	0	1	
839	505943	内六角沉头螺钉(M4×10)	Screw pan M4×10	0	2	
845A	15520101900	刀架附件	Tool holder assembly	0	1	
843-1	155210030	刀架垫片	Sasket of tool holder	0	1	
843	1552100300	大翼盖附件	Post cap	0	1	
843-1	510183	内六角平头螺钉(M4×有镀锌)	Screw pan M4×6(Nickel plated)	0	2	
844	155203015	冲筒	Rotating hook opener	0	1	
845	129944	内六角沉头螺钉(M4×12)	Screw pan M4×12	0	1	
846	505952	内六角沉头螺钉(M4×6)	Screw pan M4×6	0	1	
847	155209004	冲筒固定座	Rotating hook opener bracket	0	1	
851	155025004	小齿轮	Small gear	0	1	
868	155224013	平面轴承	Plane bearing	0	1	
869	155224014	滚针轴承	Needle bearing	0	2	
870	801046	滚珠轴承(001-2R2/2Z)	Ball bearing(001-2R2/2Z)	0	1	
870-1	155208007	固定	Stationary ring	0	1	
870-2	510075	内六角沉头螺钉(M4×5)	Screw pan M4×5	0	2	
9025	155225009	送料平面齿轮	Feeding plane wheel	0	1	
9025-1	509174	内六角平头螺钉(M6×0.75×4)	Screw pan M6×0.75×4	0	2	
905	505953	内六角沉头螺钉(M6×20(镀锌))	Screw pan M6×20(Nickel plated)	0	2	
906	155218002	垫片	Washer	0	2	
908	1552N517001	针板螺钉(进口)	Screw(imported)	0	2	
9085	155208007	调整垫片	Adjusting washer	0	1	
9085	155225010	送料大齿轮	Big gear	0	1	
910	155211003	油塞	Rubber plug	0	1	
9105	155128001	调整垫片	Adjusting washer	0	2	
9105-1	155226008	垫片	Washer	0	1	
9195	155012014	C型扣环	C-shaped buckle	0	2	
9345	155228006	调整垫片	Adjusting washer	0	2	
9355	155024012	轴承60R2Z	Bearing 60R2Z	0	2	
9365	155003006	轴衬套	Sixkultural axb	0	1	
9375	155225006	锥形齿轮	Bevel gear	0	2	
9385	155225011	送料齿轮	Gear	0	1	
9215	15531500200	双针针板附件(12-18F)	Double needle throat plate(12-18F)	0	1	
9225	505943	内六角沉头螺钉(M4×10)	Screw pan M4×10	0	2	
9235	1552N51002	开槽沉头螺钉	Screw	0	4	
9245	155301001	双针衬套	Support plate(Double needle)	0	1	
9255	155225012	送料齿轮	Gear	0	1	
9265	155309021	送料固定板	Fixing plate	0	1	
9275	930000062	双针左衬套	Double needle left side seat	0	1	标准

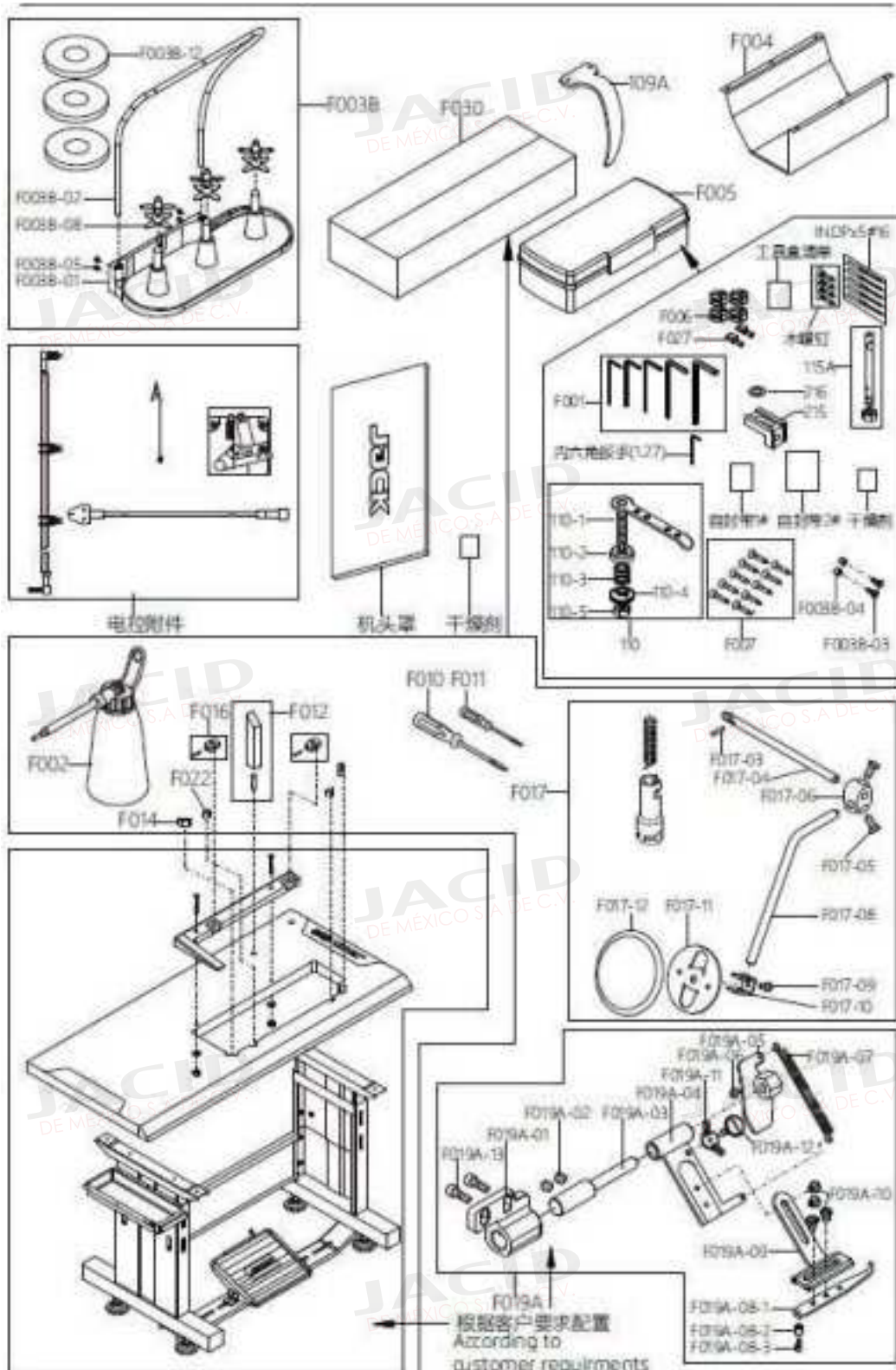
11. Mecanismo de puntada inversa con doble aguja



11. Mecanismo de puntada inversa con doble aguja

序号 NO.	件号 Part No.	零部件名称 PartName	零件描述 Description	数量 Amt.		备注
				55-91	55-92	
727	155724002	滚针培林 进口	Needle bearing	0	2	
732	155023003	油棉垫	Oil cotton pad	0	2	
9175	500080	内六角凹端紧定螺钉M5×6	Screw pan M5×6	0	1	
9135	155012014	C型扣环	C-shaped buckle	0	2	
9145	155228006	调整垫片	Adjusting washer	0	2	
9155	155024012	轴承608ZZ	Bearing 608ZZ	0	2	
9165	155002006	轴承轴	Silvicultural axis	0	1	
9195	155225007	锥齿齿轮	Bevel gear	0	1	
9285	155224016	单向轴承座 NA/SK	One-way bearing holder NA/SK	0	2	
9295	155205007	万向连杆A	Universal connecting rod	0	1	
9305	1557N511001	一字圆柱头螺钉(短)	Screw pan	0	1	
9315	155201024	倒针座	inverted needle seat	0	1	
9315-1	505240	内六角圆柱头螺钉M6×20	Screw pan M6×20	0	2	
9315-2	W01147	平垫圈M6	Flat washer M6	0	2	
9325	510073	内六角凹端紧定螺钉M4×16	Screw pan M4×16	0	1	
9335	N01103	六角螺母M4	Nut M4	0	1	
9345	505951	内六角圆柱头螺钉M5×10	Screw pan M5×10	0	1	
9355	155226011	滑动销	Pin	0	1	
9355-1	O01155	O型圈	O-ring	0	1	
9365	505943	内六角圆柱头螺钉M4×10	Screw pan M4×10	0	2	
9375	155212039	滑块限位座	Restricted seat	0	1	
9375-1	155221007	滑块限位座减磨套	Buffer sleeve of restricted seat	0	1	
9385	155226012	调节销	Adjustig pin	0	1	
9395	155227017	弹簧	Compression spring	0	2	
9405	1550N520001	开槽无头限位螺钉	Screw	0	1	
9415	W01145	平垫圈M4	Flat washer M4	0	4	
9425	505949	内六角圆柱头螺钉 M4×8	Screw pan M4×8	0	2	
9435	155209017	倒针滑块	Siding block	0	1	
9445	155209006	顶杆滑块	Block	0	1	
9455	505942	内六角圆柱头螺钉M3×8	Screw pan M3×8	0	2	
9465	155220001	螺钉	Screw	0	1	
9475	155212040	顶杆	knock-out pin	0	1	
9485	15523000300	下倒钩电磁铁	Electromagnet	0	1	
950C	155212037	下倒钩电磁铁座	Electromagnet fixed plate	0	1	
9515	505951	内六角圆柱头螺钉M5×10	Screw pan M5×10	0	3	

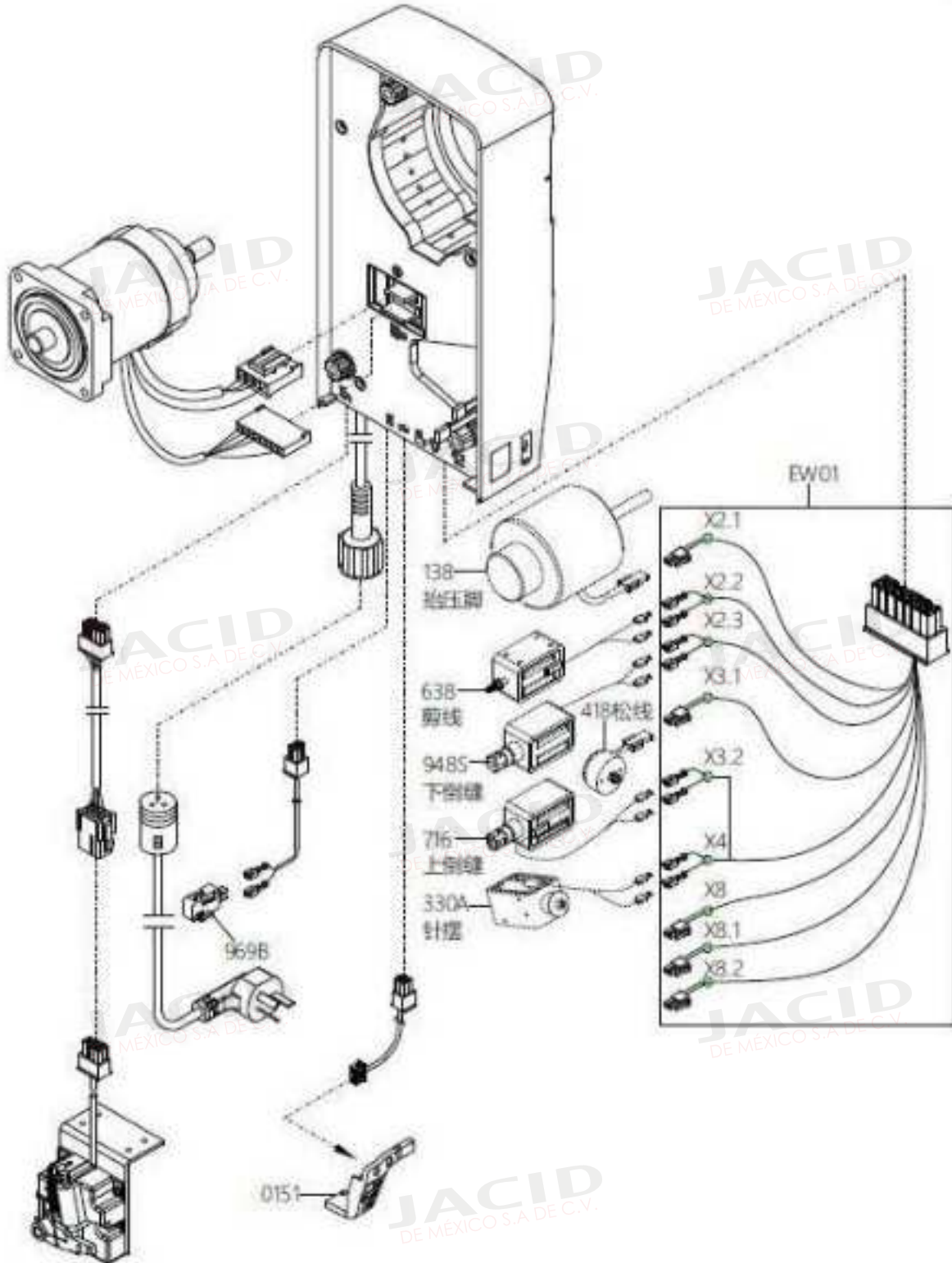
12. Accesorios



12. Accesorios

序号 NO.	件号 Part No.	零部件名称 PartName	零件描述 Description	数量 Amt.		备注
				SS-01	SS-02	
109A	155211002	挑线杆的护罩	Thread takeup lever cover	1	1	
110	155213004	绕线架张力器组件	Bobbin thread tension asm	1	1	
115A	155213005.00	穿线杆组件(含螺母)	Spool pin asm	1	1	
215	155009002	顶针座	Thimble seat	1	0	
216	155228010	平垫圈	Flat washer	0	1	
346	155217001	机针(INDP×5#16)	Needle INDP×5#16	5	10	
F001	155031001	内六角扳手(2mm)	Allen key (2mm)	1	1	
	155031002	内六角扳手(2.5mm)	Allen key (2.5mm)	1	1	
	155031003	内六角扳手(3mm)	Allen key (3mm)	1	1	
	155031004	内六角扳手(4mm)	Allen key (4mm)	1	1	
	155031005	内六角扳手(5mm)	Allen key (5mm)	1	1	
	155231090	内六角扳手(12.7mm)	Allen key (12.7mm)	1	1	
F002	155231002	横嘴油盘	Horizontal mouth oil pot	1	1	
F003B-01	155231016	线架盘	Thread stand rack	1	1	
F003B-02	155231028	线架	Thread stand	1	1	
F003B-03	1552N51004	线架盘螺钉	Screw of thread stand rack	2	2	
F003B-04	155231006	尼龙挡圈	Nylon retaining ring	2	2	
F003B-08	155231017	支撑芯	Stand rod	3	3	
F003B-12	155231027	线架垫	Spongy cushion	3	3	
F004	155231009	油盘	Oil pan	1	1	
F005	155231010	工具箱	Tool box	1	1	
	155731005	工具箱清单	Tool box list	1	1	
F006	155231011	梭子	Shuttle	4	6	
F007	155226001	圆钢钉8分	Round steel nail	10	10	
	155231035	自封袋1#	Self sealing bag1#	3	3	
	155231043	自封袋2#	Self sealing bag2#	2	2	
F010	155031007	螺钉刀(中)	Screwdriver (middle)	1	1	
F011	155031006	螺钉刀(小)	Screwdriver (small)	1	1	
F012	155232023	枕木组件	Sleeper component	1	1	
R014	155031011	橡胶垫	Rubber mat	2	2	
F016	155231012	后组扣橡胶垫	Rubber mat of rear button	2	2	
F017	155231013	脚弓组	Ankle arch group	1	1	
F019A	155231014	靠边组件	Edge assembly	1	1	
F022	155231015	橡胶垫	Rubber mat	2	2	
F027	155031013	后组扣	Rear button	2	2	
F030	155231001	附件纸箱	Accessory box	1	1	
	155531004	附件纸板(成型板)	Accessory carton	1	1	
	155231024	机头罩	Noise covering	1	1	
	155231029	木螺钉	Wood screw	4	4	
	155231020	合格证	Certificate	1	1	
	155231021	罗拉车纸箱	Roller carton	1	1	
	15523100700	机身泡沫组件	Foam for machine	1	1	
	155731003	SS说明书	Manual book & parts book	1	1	
	155231005	电控附件	Electric control accessories	1	1	
	155231033	PE袋	PE Bag	1	1	
	155231039	硅胶干燥剂	Silica gel desiccant	10	10	
	155231040	条形码标签	Bar code	2	2	
	155231041	挂线绳卡	Tag needle	1	1	

13. Elementos eléctricos



14. Lista de piezas del manómetro

机针间距H Needle gauge (mm)	机针 Needle	针板片 Needle plate	针帽组件 Needle holder		备注
			标配 Standard	选配 Apolegamic	
1.2-1.8	155217001(#16)	(1.2-1.8)155315016	(2.4)15531700300	(2.8)15531700400	
2.0-2.4	155217001(#16)	(2.0-2.4)155315007	(2.4)15531700300	(3.2)15531700100	
2.8-3.2	155317007(#21)	(2.8-3.2)155315008	(3.6)15531700500		针板组件(特殊配置)



JACK

Libro de Partes

15. Accesorios S5/S7

序列号 Part No.	零件名称	Name of part	数量 Amt.	
			单针	双针
01	机头	Machine head	1	1
02	机头塑料罩	Machine plastic bag	1	1
03	机头泡沫组件	Machine Foam	1	1
04	机头罩	PE Cover	1	1
05 (附件纸箱 Accessory Carton)	油壶	Oiler	1	1
	线圈垫	Spongy cushion	3	3
	支撑芯	Stand rod	3	3
	枕柱	Stand Bar	1	1
	螺丝刀(小)	Screw Driver (Small)	1	1
	螺丝刀(中)	Screw Driver (Medium)	1	1
	脚弓组	Knee Lifter Assy	1	1
	后扭座	Rubber Hinge	2	2
	橡胶垫(大)	Rubber Cushion (Large)	2	2
	橡胶垫(小)	Rubber Cushion (Small)	2	2
	靠边组件	Edge Guide	1	1
	天祥盖	Thread Take-up Lever Cover	1	1
06	油槽	Oil Pan	1	1
07	电控说明书	Electronic motor manual	1	1
08	整机说明书	Machine Manual	1	1
09	开关线	Switch line	1	1
10	脚踏控制器	Pedal	1	1
11	纸板	Paper	1	1
12	拉杆	Connect rod	1	1
13 (工具箱 Tool Box)	梭子	Bobbin	4	6
	针 (INDPx5) 根据产品要求放置	Needle (INDPx5) Place based on product requirement	5	10
	过线柱	Spool Pin	1	1
	过线器	Thread Guide Wire	1	1
	铁钉	Nail	10	10
	螺钉 M4x8	Bolt M4x8	2	2
	木螺丝 M5X25	Wood Screw M5X25	4	4
	尼龙垫圈	Nylon gasket	2	2
	支架	Breackt	1	0
	平垫圈	Washer	0	1
	后纽扣	Head Hinge	2	2
	六角扳手1.0 (1.27) mm 根据旋梭放置	Hexagonal Wreech 1.0 (1.27mm) According hook	1	1
	六角扳手2/2.5/3/4/5mm	Hexagonal Wreech 2/2.5/3/4/5mm	1	1
14	接地线	Ground line	1	1
15	线架组	Thread Stand Complete Set	1	1

Libro de partes

Máquina de coser Jack

JACK SEWING MACHINE

HTTP://WWW.CHINAJACK.COM

Jacid de México

- Dirección de la empresa :

Paseo Tollocan #121 La Concepción, San Mateo Atenco, Méx.

Código Postal: 52105

- Departamento de Comercio Interno :

(TEL) : 728 285 4388

EXTENSIONES : VENTAS: 103
CONMUTADOR 101
CONTABILIDAD 108
TALLER 113 y 114

- www.jacid.com.mx
- www.jack.jacid.com.mx

