



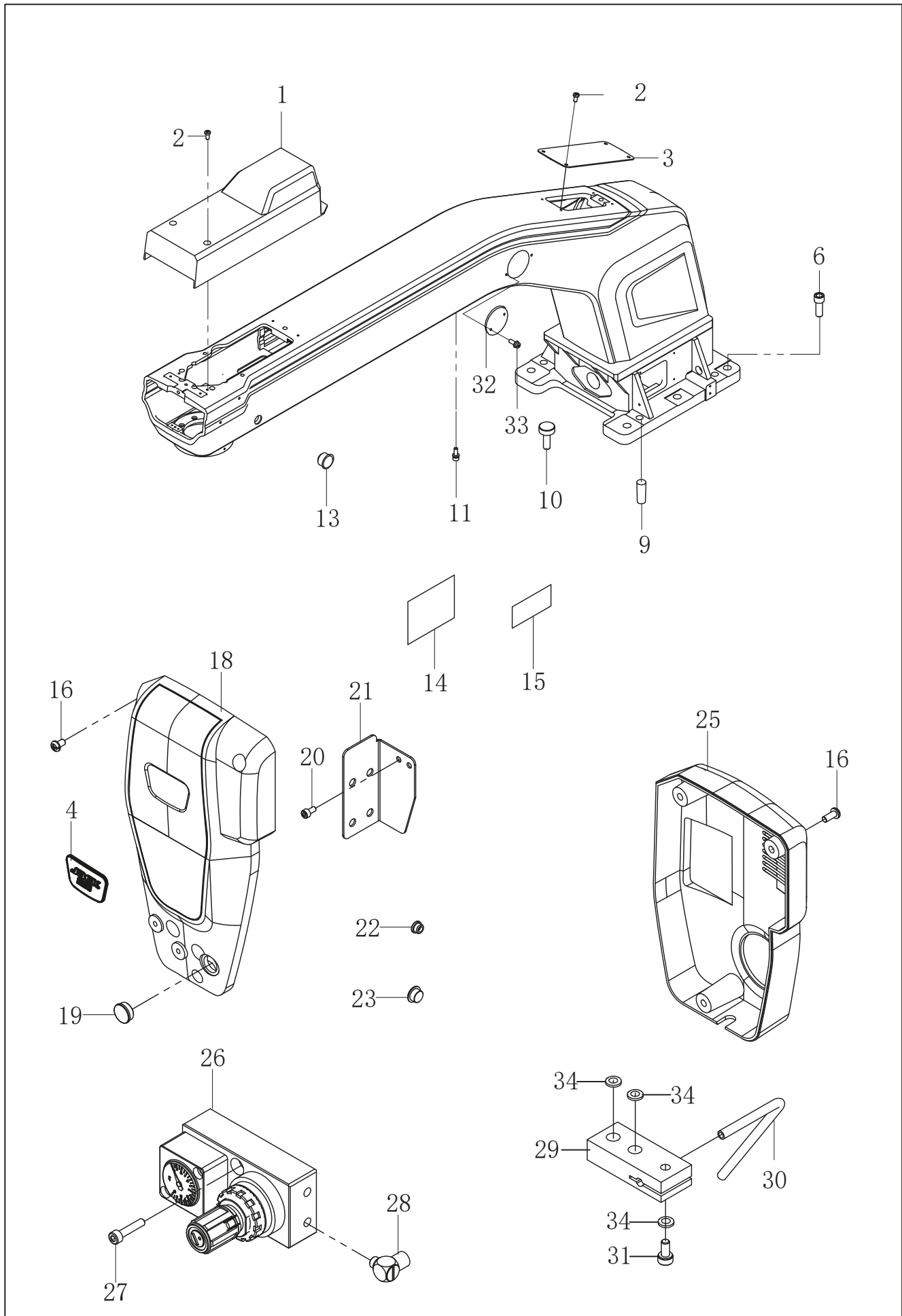
M9
零件图册
Parts book

JACK 杰克

目录CONTENTS

A1、	机体装置 / Machine body	1
B、	上旋转装置 /Upper rotary device	3
C、	操作界面装置 / Operation interface mechanism	5
D1、	机头上轴装置 / Upper shaft mechanism	7
D2、	针杆装置 / Take up mechanism	9
E、	断线感应装置和松线装置 / Thread breakage detector mechanism	11
F、	电子中压脚装置 / Electronic presser foot mechanism	13
G、	大压脚装置 / External work clamp mechanism	15
H、	穿线装置 / Threading mechanism	17
J、	扫线装置 / Thread wiper mechanism	19
K1、	主台面部分 / Main table mechanism	21
K2、	前台面部分 / Front table mechanism	23
K3、	辅助台面部分 / Auxiliary table mechanism	25
L1、	X送料装置(T) / X Feed mechanism (T)	27
L2、	X送料装置(S) / X Feed mechanism (S)	29
L2、	X送料装置(S) / X Feed mechanism (S)	31
M、	Y送料装置 / Y Feed mechanism	33
N1、	压紧夹具装置 / Clamping fixture mechanism	35
N2、	夹扣夹具装置/ Clamping fixture mechanism	37
O、	下旋转装置 / Lower shaft mechanism	39
P1、	下轴装置 / Lower shaft mechanism	41
P2、	旋梭供油装置 / Fusier oil supply mechanism	43
P3、	切线装置-平刀/ Thread trimmer mechanism	45
Q、	吹气装置 / Blow mechanism	47
R、	机架部分 / Talbe mechanism	49
S、	卷线装置 / Bobbin winder mechanism	51
T1、	电控柜装置 / Electric control box mechanism	53
T2、	控制箱装置-SX / Control box mechanism (X)	55
U1、	空压装置 / Air pressure mechanism	57
U2、	电器部品装置 / Power supply equipment mechanism	59
V、	底线检测装置/Bottom line detection mechanism	61
X1、	激光切割装置 / Laser cutting mechanism	63
X2、	激光切割控制部分 / Laser cutting control part	65
X3、	激光切割吸风装置 / Laser cutting smoke exhaust part	67
X4、	点笔装置 / Marking device	69
X5、	物联网装置 / Marking device	71
Z1、	附件 / Accessories	73

A1、机体装置 / Machine body



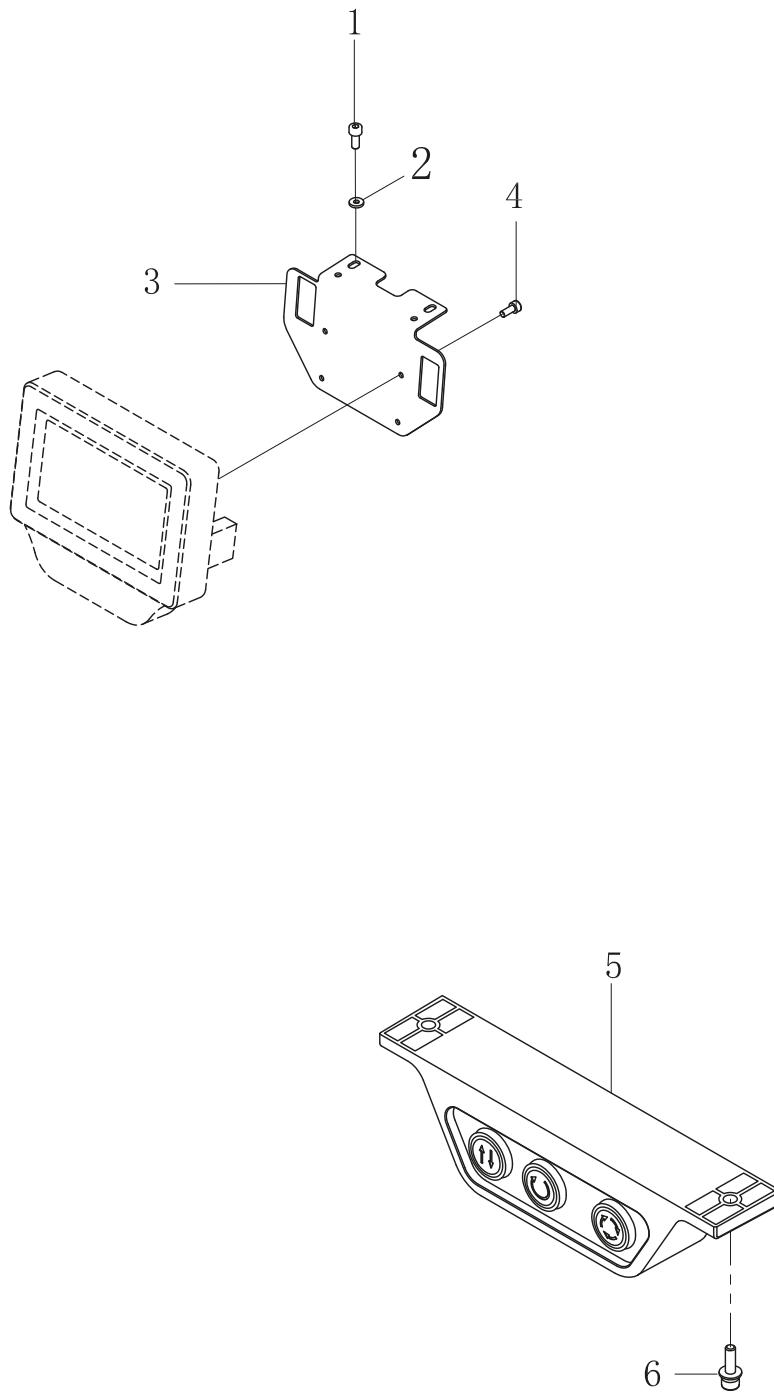
A1、机体部分 / Machine body

序号 No.	件号 Part.No.	零部件名称	NAME OF PARTS	数量 Amt.	备注
1	141911033	上旋转罩壳	Rotate the housing on top	1	
2	S04028	螺钉M5×8	Screws M5×8	8	
3	930001189	上盖板F	Upper cover plate F	1	142012243
4	14437001	面板商标牌	Panel logo plate	1	
6	S05275	螺钉M20×55	Screws M20×55	4	
9	P02012	销子	Pin	3	
10	L02083	外六角螺栓M20×70	Allen bolt M20×70	2	
11	s05065	螺钉M4×40	Screws M4×40	4	
13	14222007	上盖橡皮塞	Top rubber stopper	2	
14	20131063	警告牌	Warning signs	1	
15	140337007	型号牌	Model plate	1	
16	S04028	螺钉M5×8	Screws M5×8	6	
18	930001360	面板	Panel	1	141901401
19	41722004	橡皮塞	Rubber stopper	4	
20	421S13035	螺钉M4×8	Screws M4×8	2	
21	141912410	电线接头板	Wire connector plate	1	
22	10122005	孔塞	Consai	3	
23	41722003	橡皮塞	Rubber stopper	3	
25	141944402	后罩	Back cover	1	
26	142045019	压力调节器	Pressure regulator	1	
27	S05119	螺钉M4×20	Screws M4×20	2	
28	42230519	微型接头	Miniature connectors	2	
29	141901133	面线铜管夹	Face line copper tube clamp	1	
30	141921402	面线吹气铜管	Face line blowing copper tube	1	
31	421S13035	螺钉M4×8	Screws M4×8	3	
32	930001895	机身铸造孔盖板	Fuselage cast hole cover plate	2	
33	S04078	螺钉M4×8	Screws M4×8	4	
34	W01001	垫片M4	Gasket M4	3	

B、上旋转装置/Rotating mechanism

序号 NO.	件号 Part. No.	零部件名称	NAME OF PARTS	数量 Amt.	备注
1	141930053	上旋转滑环	Upper rotation slip ring	1	
2	141912325	上节止转板	Upper section stop plate	1	
3	417S30302	螺钉M4×12(带垫片)	Screw M4×12	4	
4	421S13046	螺钉M5×45	Screw M5×45	8	
5	41728028	垫圈	Washer	4	
6	417S30023	螺栓(带垫圈)M3×16DB	Bolt (with washer) M3×16DB	2	
7	141912339	上旋转零位感应片M	Rotate zero sensor sheet M upwards	1	
8	141909025	上旋转零位感应片垫板M	Rotate zero sensor pad M upwards	1	
9	14193503500	上节旋转大同步轮组件	Rotate the sync wheel assembly	1	
10	S05111	螺钉M6×20	Screw M6×15	4	
11	141933023	下旋转电机	Lower rotating motor	1	
12	141935031	小同步轮C	Small sync wheel C	1	
13	S10019	螺钉M6×6	Screws M6×6	4	
14	141935016	同步带30-650-5M	Synchronous belt 30-650-5M	1	
15	421S10015	螺钉M3×8	Screw M3×8	1	
16	41730851	传感器	The sensor	1	
17	418S30218	螺钉M4×7	ScrewM4×7	2	
18	141901132	大同步轮轴承座M	Large synchronous wheel housing M	1	
19	B01124	深沟球轴承61917-2RS	Deep groove ball bearing 61917-2RS	1	
20	S05026	螺钉M5×20	Screw M5×20	3	
21	41728028	垫圈	washer	3	
22	141903017	止转尼龙套	Stop nylon sleeve	1	
23	141926022	上节止转销	The upper section stops reselling	1	
24	S10019	螺钉M6×6	Screw M6×6	1	
25	S05218	螺钉M5×22	Screw M5×22	8	
26	41728028	垫圈	washer	8	
27	141924007	RU85交叉滚子轴承	RU85 crossed roller bearings	1	
28	41836015	油管嘴M5	Tubing mouth M5	2	
29	S05218	螺钉M5×22	Screw M5×22	2	
30	B01008	轴承6302	Bearing 6302	1	
31	141903064	轴承座	Housing	1	
32	417S30302	螺钉M4×12(带垫片)	Screw M4×12 (with gasket)	1	
33	141910008	张紧轮销C	Tensioning wheel pin C	1	
34	B01058	轴承(6001-Z)	Bearing(6001-Z)	2	
35	H01011	孔用弹性挡圈28	Hole with elastic retaining ring 28	2	
36	141903062	张紧轮C	Tensioner C	1	
37	W01021	垫圈6.3×18×1.2	Washer6.3×18×1.2	1	
38	413S13010	螺钉M5×8(滚花)	Screw M5×8 (knurled)	1	
39	S10019	螺钉M6×6	Screws M6×6	2	

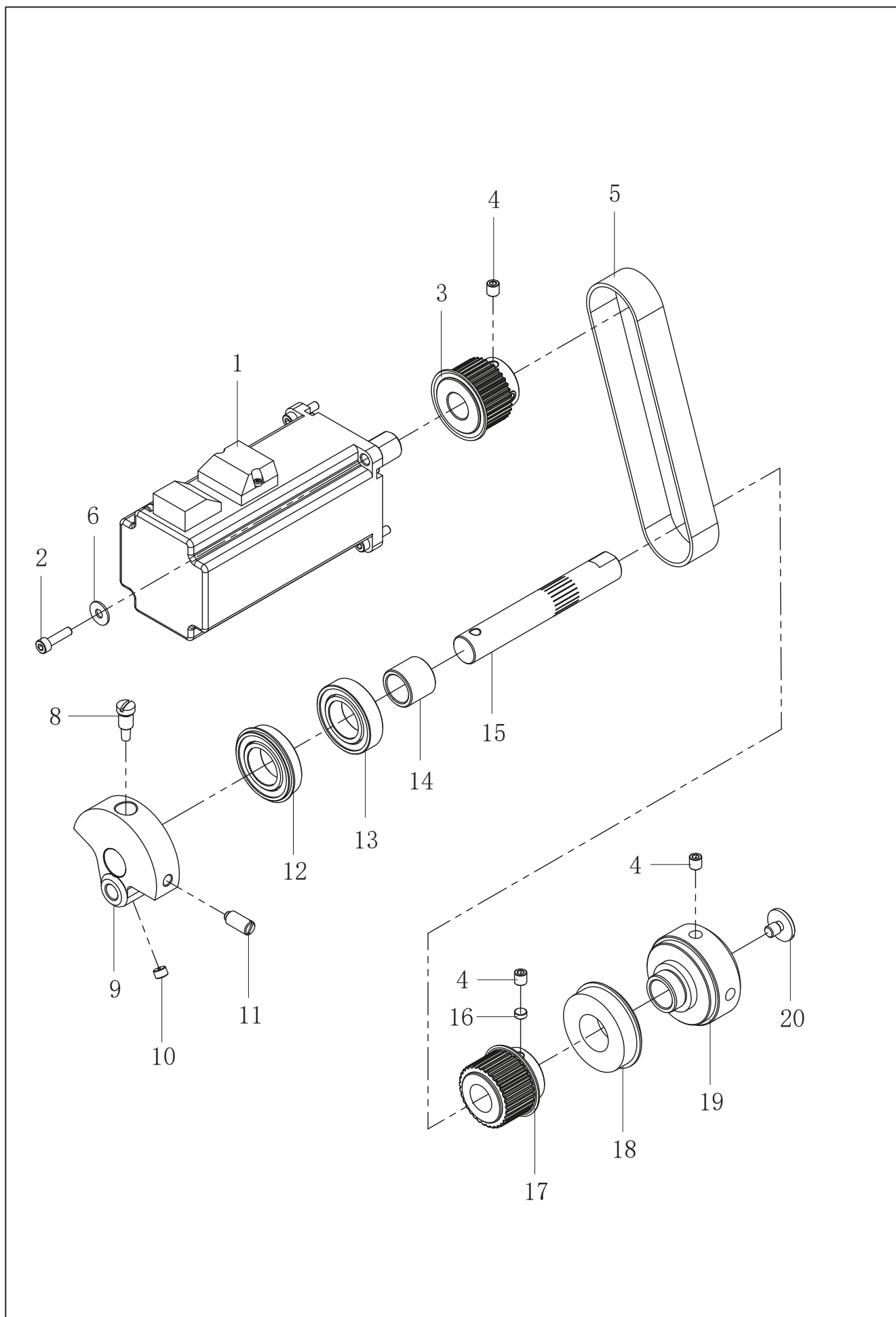
C、操作界面装置 / Operation interface mechanism



C、操作界面装置/Operation interface mechanism

序号 NO.	件号 Part. No.	零部件名称	NAME OF PARTS	数量 Amt.	备注
1	S05087	螺钉M5×12	Screw M5×12	2	
2	41828611	垫片	Gasket	2	
3	930001375	显示屏安装板组件	Display mounting plate assembly	1	14191233100
4	417S30025	螺钉(带垫圈)M4×10	Screw(with washer)M4×10	4	
5	142030036	开关盒组件	Switch box mounting assembly	1	
6	421S13059	螺钉(带垫圈)M5×20	Screw(with washer)M5×20	2	

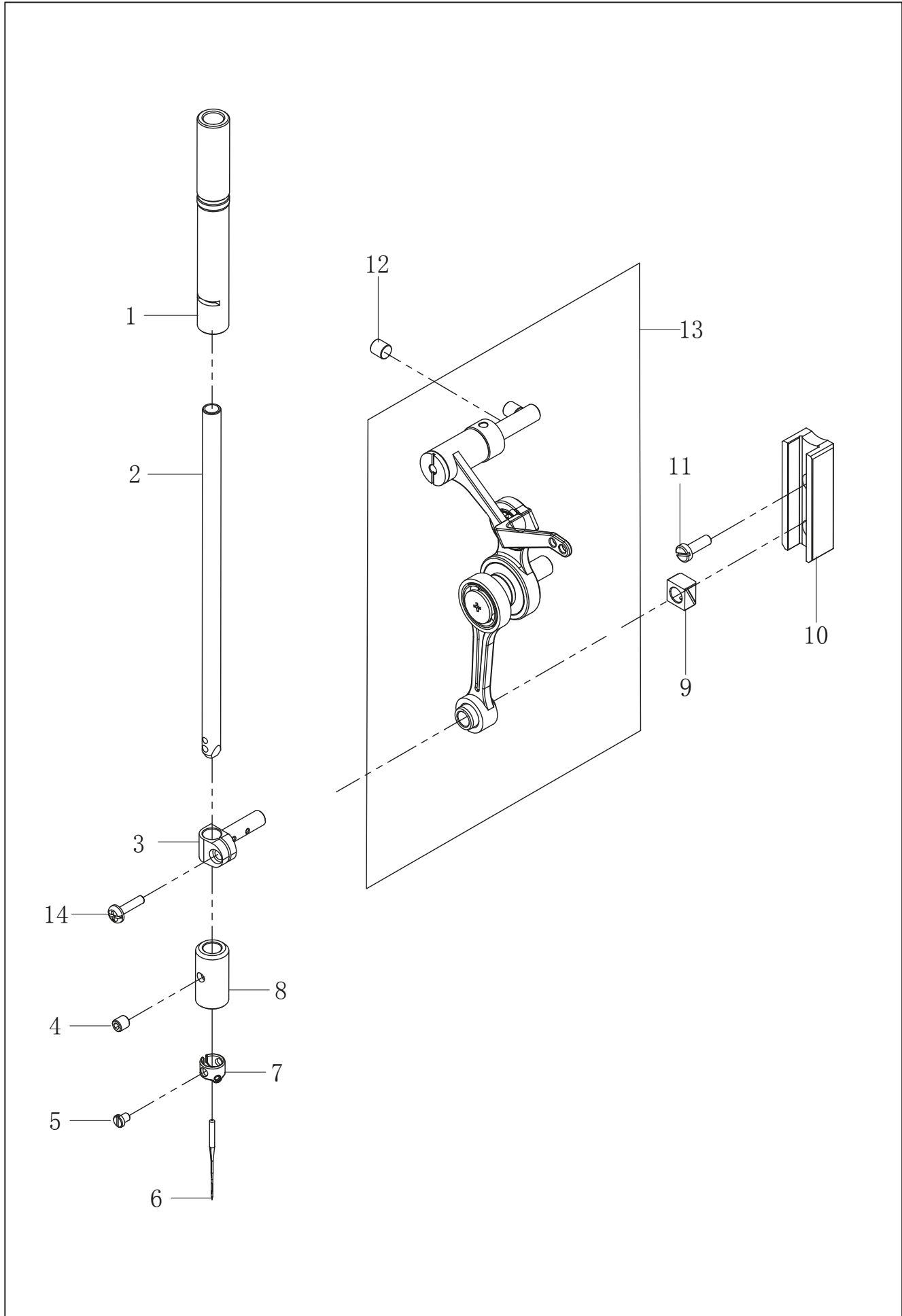
D1、机头上轴装置 / Upper shaft mechanism



D1、机头上轴装置 / Upper shaft mechanism

序号 No.	件号 Part.No.	零部件名称	NAME OF PARTS	数量 Amt.	备注 Remarks
1	141933401	主轴电机	Spindle motor	1	
2	S05118	螺钉M4×16	Screws M4×16	4	
3	14193540200	主轴驱动轮	Spindle drive wheel	1	
4	S10019	螺钉M6×6	Screws M6×6	6	
5	141935403	主轴同步带	Spindle timing belt	1	
6	42128003	垫圈4	Washer 4	4	
8	135S11002	针杆曲柄定位螺钉	Pin lever crank alignment screws	1	
9	141904403	针杆曲柄S	Pinbar crank S	1	
10	101S14001	螺钉SM1-4×40×4	Screws SM1-4×40×4	2	
11	101S15004	针杆曲柄紧固螺钉	Pin stem crank fastening screws	1	
12	B100002	轴承6904-DDUNR	Bearing 6904-DDUNR	1	
13	B060001	轴承6904-DDU	Bearing 6904-DDU	1	
14	141903402	主轴轴套	Spindle bushings	1	
15	141902401	主轴	Spindle	1	
16	141902029	凸轮顶柱	Cam top post	2	
17	14193540100	主轴从动轮	Spindle driven wheel	1	
18	B100001	轴承6004	Bearing 6004	1	
19	142011021	手轮MF	Handwheel MF	1	
20	403S11003	开槽大圆柱头螺钉	Slotted large cylindrical head screws	1	

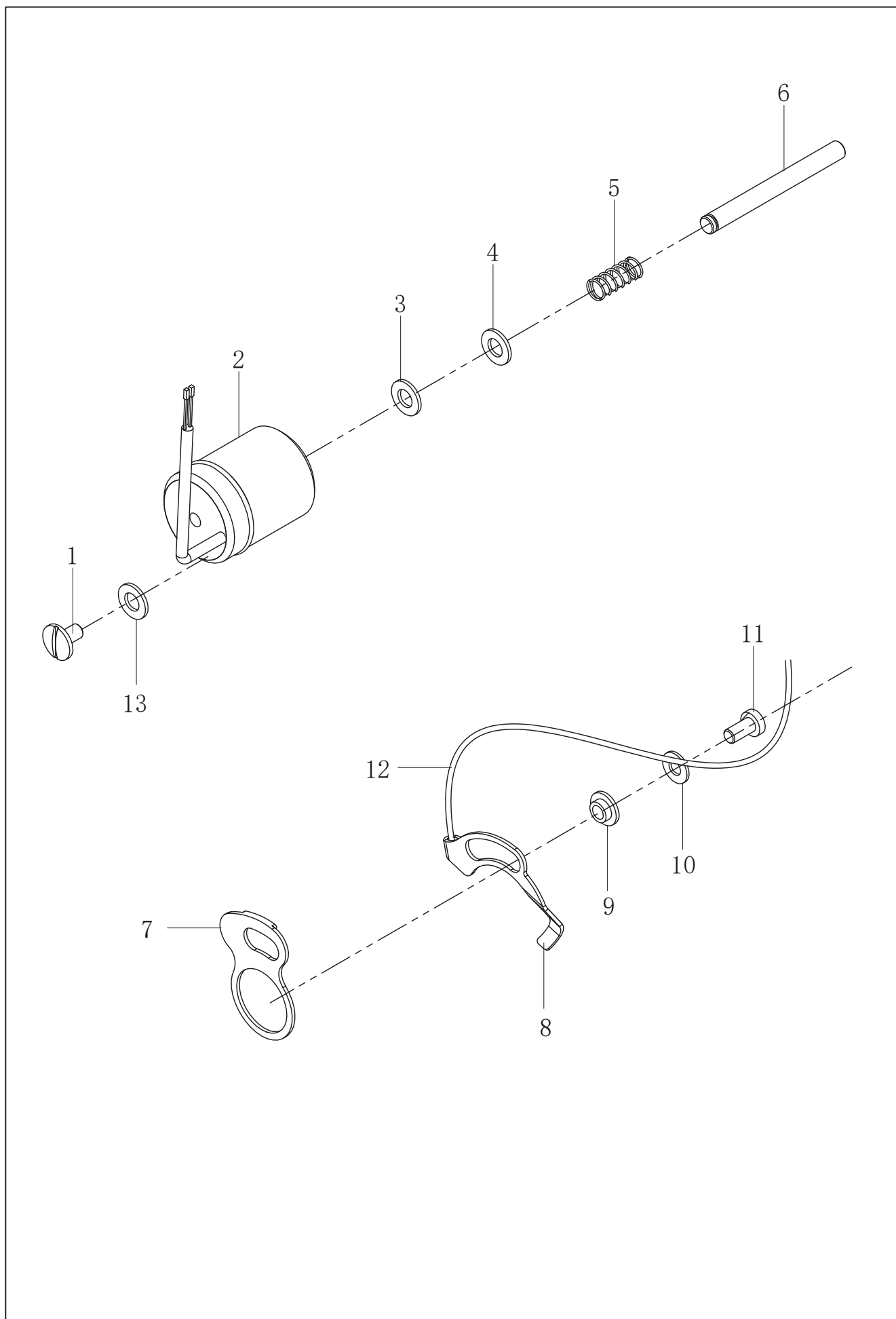
D2、针杆装置 / Take up mechanism



D2、针杆装置 / Take up mechanism

序号 No.	件号 Part.No.	零部件名称	NAME OF PARTS	数量 Amt.	备注 Remarks
1	142002021	针杆上套B	Upper pin bar sleeve B	1	
2	141902405	针杆M	Needle holder M	1	
3	141904404	针杆接头S	Pinbar connector S	1	
4	S09019	螺钉M5×5	Screws M5×5	1	
5	201S11005	开槽圆柱头螺钉	Slotted cylindrical head screws	1	
6	42217504	机针 8#	Needle 8#	1	
7	141912417	针套M	Socket M	1	
8	141903403	针杆下套	Pin shank lower sleeve	1	
9	41709001	滑块	Slider	1	
10	142009004	针杆滑块导向	Pinbar slider guide	1	
11	207S11008	螺钉M4×12	Screws M4×12	2	
12	S10019	螺钉M6×6	Screws M6×6	2	
13	14243800100	挑线杆组件	Pick rod assembly	1	
14	201S11012	开槽圆柱头螺钉	Slotted cylindrical head screws	1	

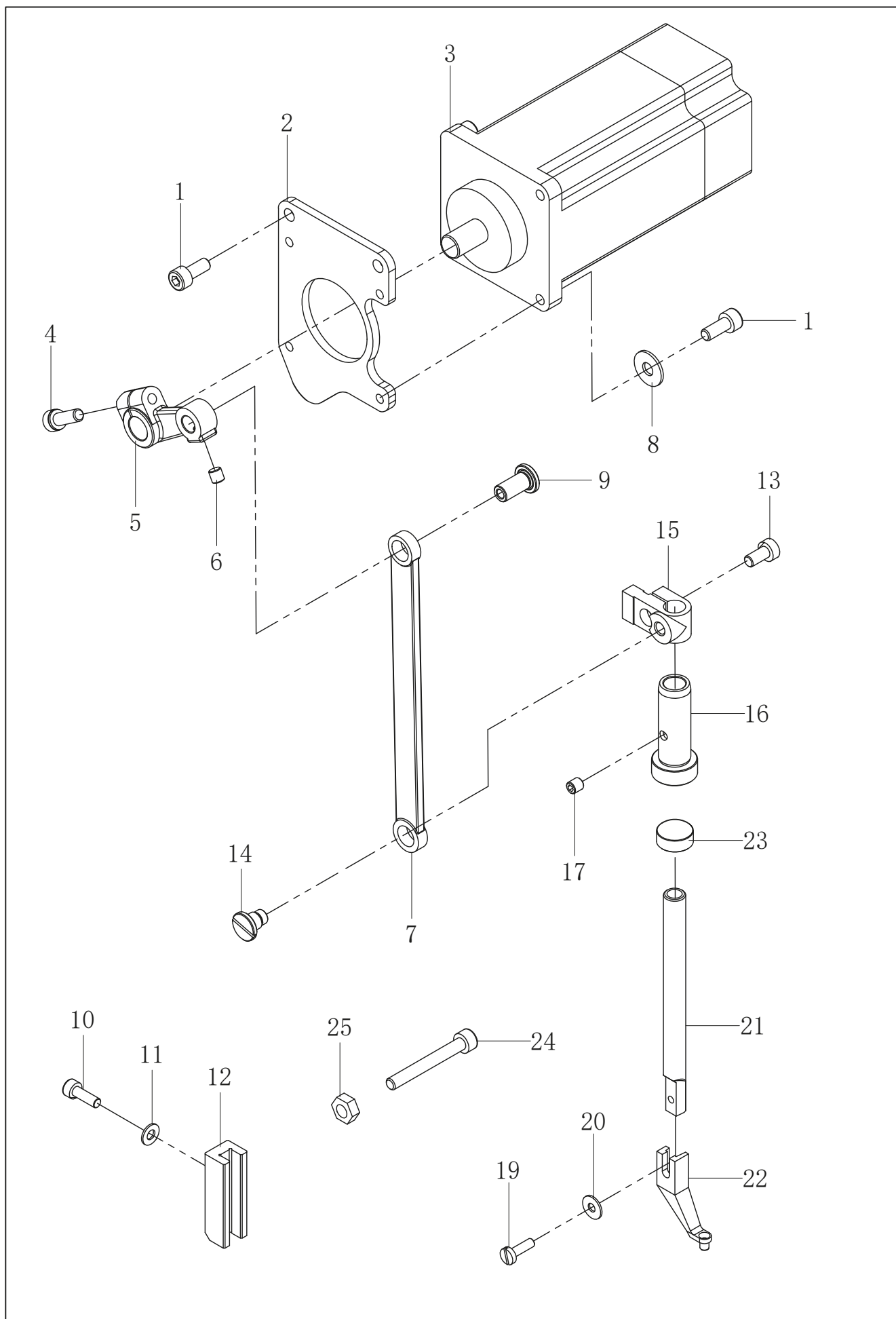
E、断线感应和松线装置 / Thread breakage detector mechanism and Tension release mechanism



E、断线感应和松线装置 / Thread breakage detector mechanism and Tension release mechanism

序号 No.	件号 Part. No.	零部件名称	NAME OF PARTS	数量 Amt.	备注 Remarks
1	418S30218	螺钉M4×7	Screws M4×7	1	
2	142030055	松线电磁铁	Loose wire electromagnet	1	
3	H05029	开口挡圈	Open retaining ring	1	
4	W01009	垫圈	Washer	1	
5	41727013	弹簧	Spring	1	
6	41702045	松线杆	Loose wire pole	1	
7	41711054	传感器内绝缘片	Insulation sheet inside the sensor	1	
8	42212837	感应铜片	Induction copper sheet	1	
9	41711053	传感器外绝缘片	Sensor outer insulation	1	
10	W01001	垫圈4	Washer	1	
11	S04078	螺钉M4×8	Screws M4×7	1	
12	141830008	单芯线 (0.2mm)	Single core wire (0.2mm)	1	
13	W01003	垫片	Gasket	1	

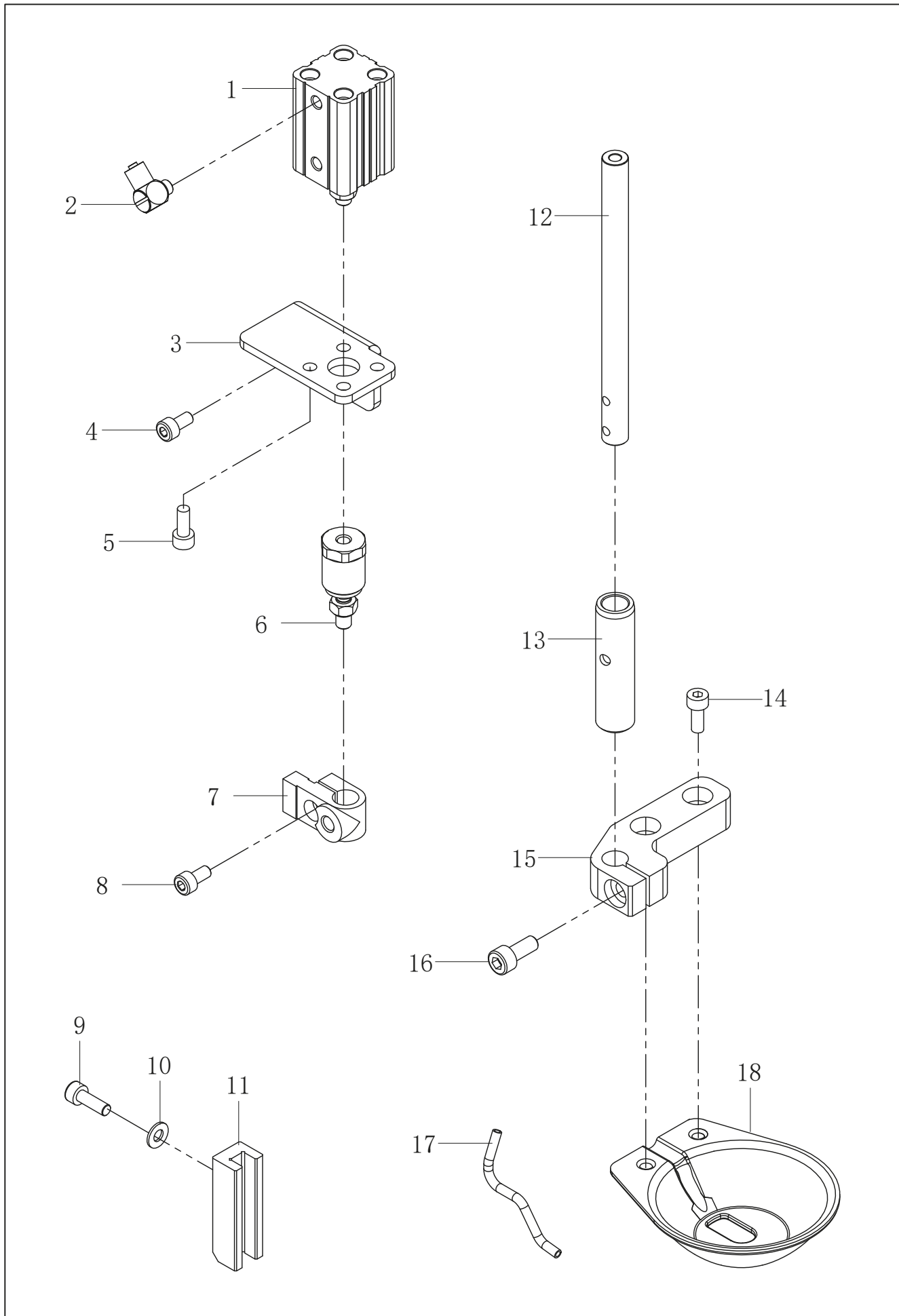
F、电子中压脚装置 / Electronic presser foot mechanism



F、电子中压脚装置 / Electronic presser foot mechanism

序号 No.	件号 Part.No.	零部件名称	NAME OF PARTS	数量 Amt.	备注 Remarks
1	S05087	螺钉M5×12	Screws M5x12	7	
2	141912402	中压脚电机安装板	Medium voltage foot motor mounting plate	1	
3	141933402	中压脚电机	Medium voltage foot motor	1	
4	S05004	螺钉M5×14	Screws M5x14	1	
5	141905402	中压脚摇杆	Medium pressure foot stick	1	
6	S09019	螺钉M5×5	Screws M5x5	1	
7	14190540100	中压脚连杆	Medium pressure foot linkage	1	
8	41728028	垫片	gasket	4	
9	141926401	连杆销	Connecting rod pin	1	
10	S05133	螺钉M4×12	Screws M4x12	1	
11	W01001	垫圈4	Washer 4	2	
12	141909401	中压脚滑块槽	Medium foot slider slot	1	
13	413S13011	螺钉M4×12	Screws M4x12	1	
14	1420NS20001	轴位螺钉M6×0.75	Shaft screw M6x0.75	1	
15	141909402	压紧杆接头M	Compression rod joint M	1	
16	41803031	中压杆轴套	Medium pressure rod bushing	1	
17	S09019	螺钉M5×5	Screws M5x5	1	
19	417S15011	一字平面圆柱头螺钉	One-piece flat cylindrical head screw	1	
20	41728025	垫圈3.5	Washer 3.5	1	
21	142002004	压紧杆F	Compression rod F	1	
22	141916003	中压脚A	Medium pressure foot A	1	
23	41822612	油封	Oil seals	1	
24	S05330	螺钉M3×45	Screws M3x45	1	
25	N01013	螺母M3	Nut M3	1	
26	41728035	垫圈	Washer	1	
27	413S11022	螺钉M3×4	Screws M3x4	1	

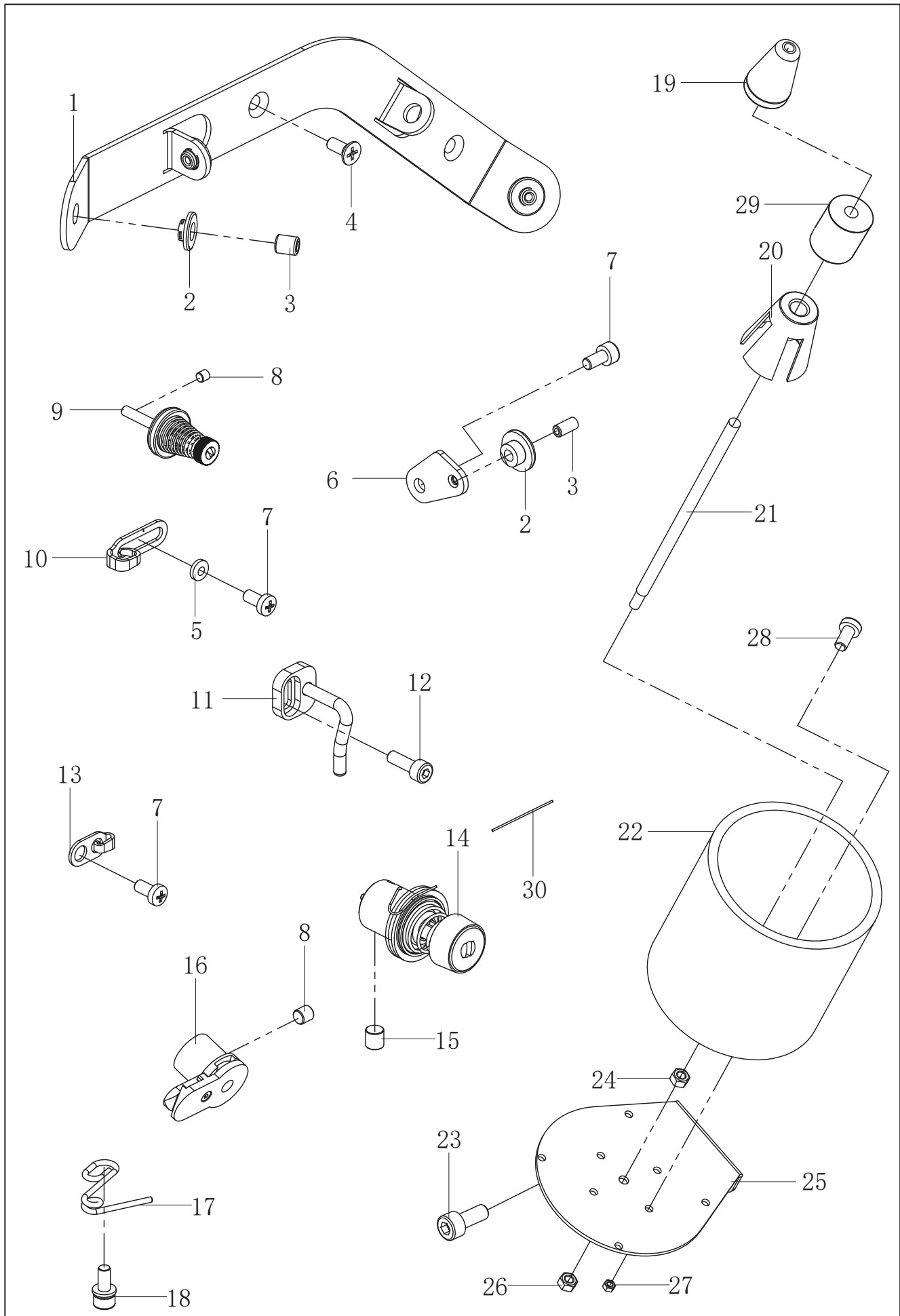
G、 大压脚装置 / External work clamp mechanism



G、大压脚装置 / External work clamp mechanism

序号 No.	件号 Part.No.	零部件名称	NAME OF PARTS	数量 Amt.	备注 Remarks
1	141945015	大压脚气缸	Large foot cylinder	1	
2	42230519	微型接头	Miniature connectors	2	
3	141912403	气缸安装板	Cylinder mounting plates	1	
4	S05087	螺钉M5×12	Screws M5×12	2	
5	S05118	螺钉M4×16	Screws M4×16	4	
6	4250400600	连接器组件	Connector components	1	
7	41709020	压紧杆接头	Compression rod connector	1	
8	S05949	螺钉M4×8	Screws M4×8	2	
9	S05133	螺钉M4×12	Screws M4×12	1	
10	W01001	垫圈4	Washer 4	1	
11	141909401	中压脚滑块槽	Medium foot slider slot	1	
12	141902403	大压脚杆	Large presser foot bar	1	
13	41703015	压紧杆轴套	Compression rod bushing	1	
14	S05121	螺钉M5×10	Screws M5×10	2	
15	141901402	大压脚安装板	Large press-foot mounting plate	1	
16	S05087	螺钉M5×12	Screws M5×12	1	
17	141921401	吹气铜管	Blow copper tube	1	
18	141912404	大压脚	Large pressed feet	1	

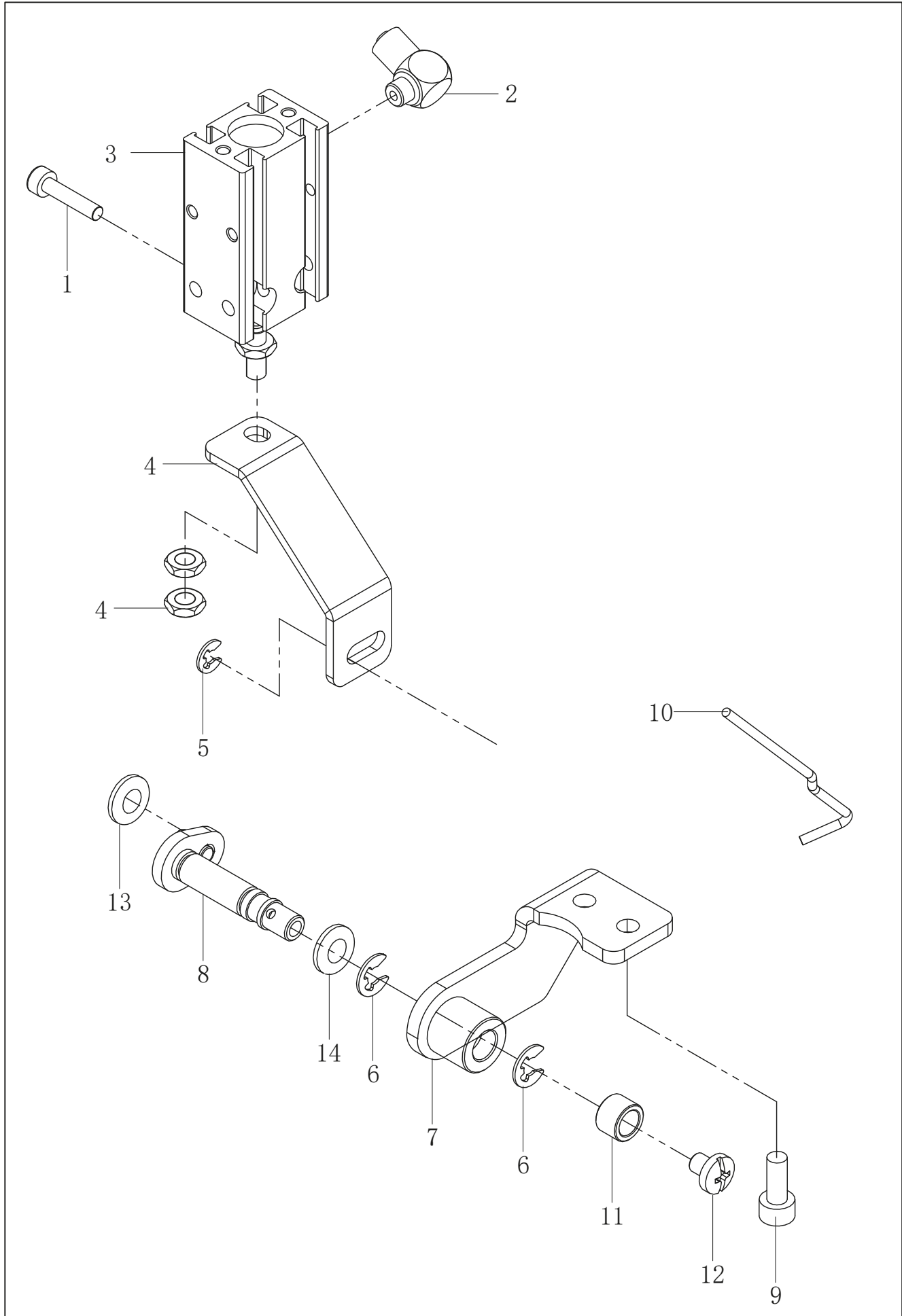
H、 穿线装置 / Threading mechanism



H、 穿线装置 / Threading mechanism

序号 No.	件号 Part. No.	零部件名称	NAME OF PARTS	数量 Amt.	备注 Remarks
1	930001384	过线板MA	Wire board MA	1	14191240600
2	10113010	过线圈（外）	Over coil (outside)	5	
3	10113011	过线圈（内）	Over coil (inside)	5	
4	S04078	螺钉M4×8	Screws M4x8	2	
5	W01001	垫圈	Washer	1	
6	141912407	过线板MB	Wire board MB	1	
7	S04078	螺钉M4×8	Screws M4x8	3	
8	S09019	螺钉M5×5	Screws M5x5	2	选配
9	14201300400	副夹线器	Sub-clamper	1	
10	40213010	右线勾	Right line tick	1	
11	14201300100	线勾组件	Wirehook assembly	1	
12	S05133	螺钉M4×12	Screws M4x12	1	
13	41313002	左线勾	Left line tick	2	
14	141913005	主夹线器	Main clamp	1	
15	S10019	螺钉M6×6	Screws M4x8	1	
16	14203000900	电子夹线器	Electronic cord clamp	1	选配
17	142012012	线导向F	Line guide F	1	
18	421S13012	螺钉M4×10	Screws M4x8	1	
19	141944405	线托帽	Wire support cap	1	
20	20131008	线圈固定套	Coil fixing sleeve	1	
21	141902402	线托棒	Wire brackets	1	
22	141944404	线罩桶	Wire cover barrel	1	
23	S04028	螺钉M5×8	Screws M5x8	2	
24	N01017	M5螺母	M5 nut	1	
25	930001362	线架托	Wire frame support	1	141912405
26	407N01001	M5螺母	M5 nut	1	
27	N01024	M4螺母	M4 nut	4	
28	417S15008	螺钉M4×8	Screws M4x8	4	
29	141944406	线桶垫圈	Wire bucket gaskets	1	
30		热缩管	Heat shrink tubing		

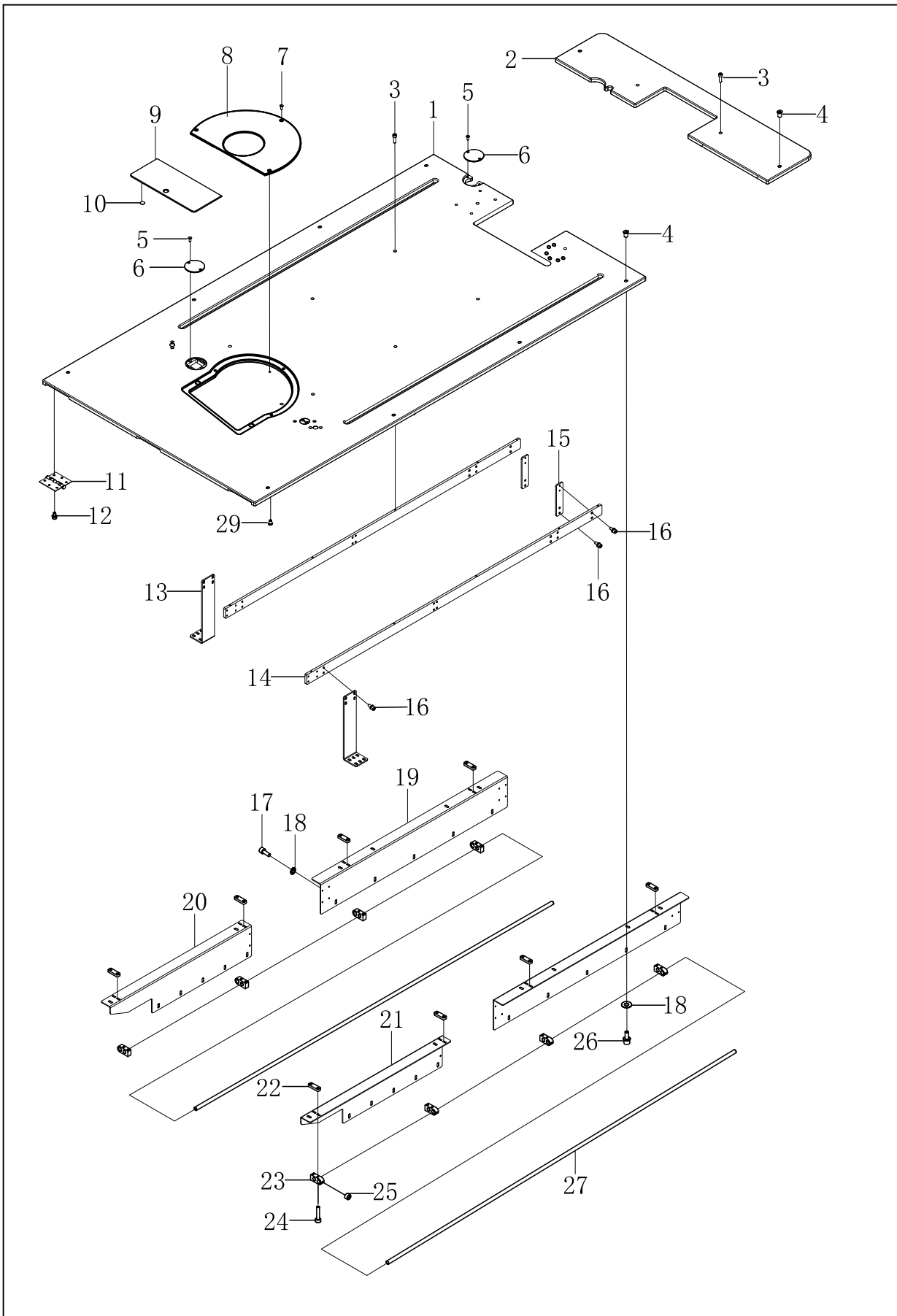
J、 扫线装置 / Thread wiper mechanism



J、扫线装置 / Thread wiper mechanism

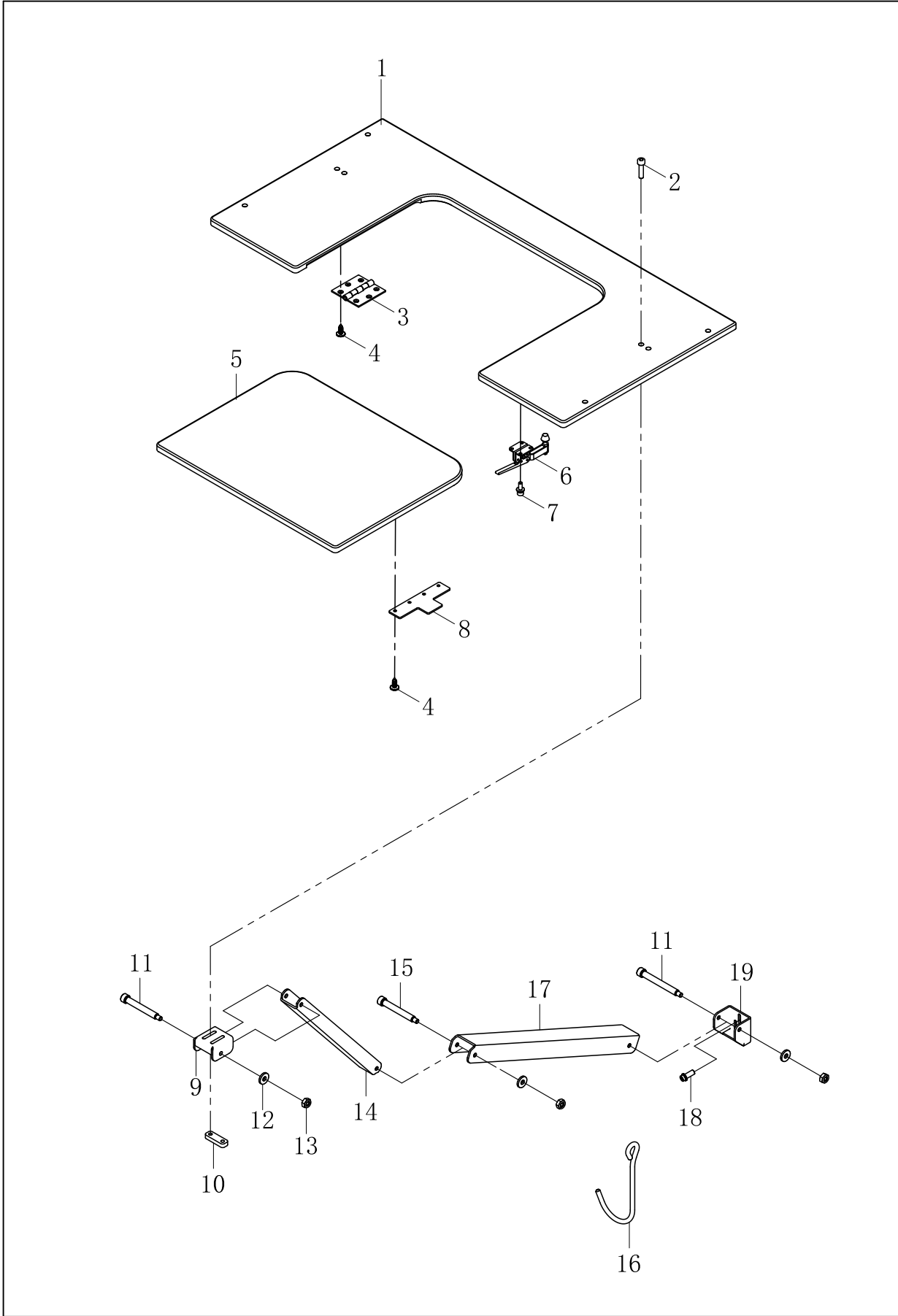
序号 No.	件号 Part.No.	零部件名称	NAME OF PARTS	数量 Amt.	备注 Remarks
1	S01591	螺钉M3×18	Screw M3x18	2	
2	142045021	气管接头	Tubing fittings	2	
3	141945402	气缸	Cylinder	1	
4	141912408	连接板	Connect the plate	1	
5	H05002	开口挡圈	Open retaining ring	1	
6	H05006	开口挡圈	Open retaining ring	2	
7	14191240900	扫线连接轴支架	Sweep wire connection shaft bracket	1	
8	14194240100	扫线曲柄组件	Sweep crank assembly	1	
9	421S13035	螺钉M4×8	Screw M4x8	1	
10	41712098	扫线钢丝	Wire sweeping	1	
11	41803220	扫线轴挡圈	Sweep spool retaining ring	1	
12	417S15013	螺钉M4×5	Screw M4x5	1	
13	W01024	垫片	Gasket	1	
14	W01015	垫片6.5	Gasket 6.5	1	
15	N01001	螺母M4	Nut M4	1	

K1、主台面部分 / Table mechanism



K1、主台面部分 / Main table mechanism					
序号 No.	件号 Part.No.	零部件名称	NAME OF PARTS	数量 Amt.	备注
1	141932210	主台面C	Main table C	1	
2	141932211	后台面C	Back table C	1	
3	S05124	螺钉M5×16	Screw M5×16	10	
4	142026005	滚花螺纹套M5	Knurled thread sleeve M5	10	
5	S02039	螺钉M4×9	Screw M4×9	4	
6	141932044	圆形盖板	Circular plate	2	
7	S02039	螺钉M4×9	Screw M4×9	3	
8	141911031	旋梭后盖板C	Shuttle back cover	1	
9	141911032	旋梭前盖板C	Shuttle front cover plate	1	
10	915624	磁铁15×1	The magnet 15 x 1	2	
11	142031002	合页A	Hinge A	3	
12	417S30036	螺钉(带垫圈)M5×12	Screw (with washer)M5 x 12	12	
13	930001353	中托板支撑板	Middle pallet support plate	2	141912311
14	142012015	台面中托板	Mesa support plate	2	
15	142012198	主台面后支撑板	Left and right table support plate	2	
16	417S30306	螺钉(带垫圈)M5×15	Screw (with washer)M5 x 15	24	
17	S05087	螺钉M5×12	Screw M5×12	20	
18	41828611	平垫圈M5	Flat washer M5	22	
19	930001352	台面左右支撑板C	Tabletop left and right support plate C	2	141912310
20	930001351	台面前左支撑板C	Left support plate C in front of the stage	1	141912306
21	930001350	台面前右支撑板C	Right support plate C in front of the stage	1	141912307
22	142012031	螺纹板M5	Threaded plate M5	8	
23	142001030	滑杆轴支座B	Slider shaft support B	8	
24	S050009	螺钉M5×30	Screw M5×30	16	
25	S09041	螺钉M6×5	Screw M6×5	16	
26	S05026	螺钉M5×20	Screw M5×20	10	
27	142002035	滑杆轴F	Slide shaft F	2	

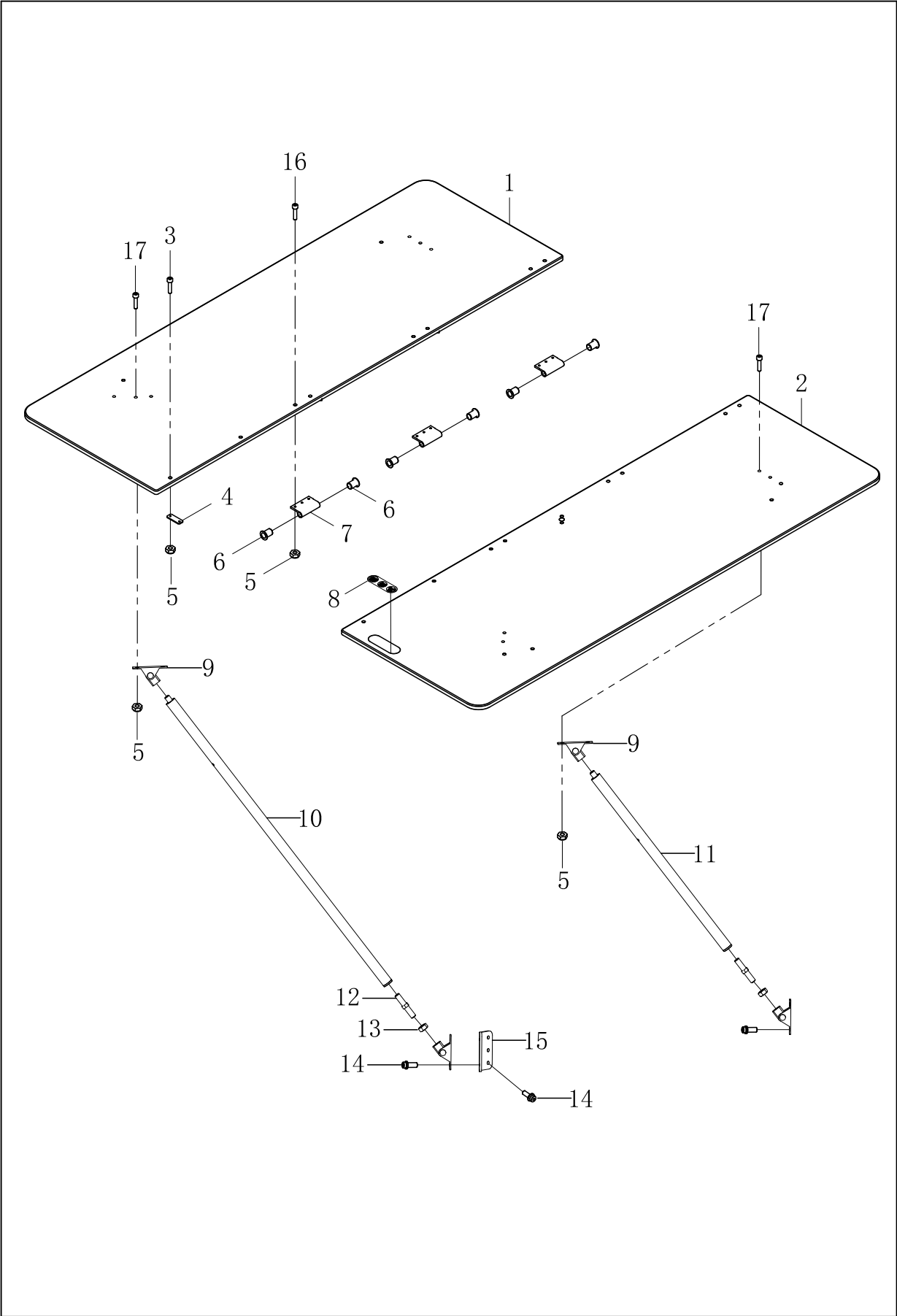
K2、前台面部分 / Front table mechanism



K2、前台面部分 / Front table mechanism

序号 No.	件号 Part.No.	零部件名称	NAME OF PARTS	数量 Amt.	备注
1	141932227	前辅助台面C	Front auxiliary table	1	
2	S05026	螺钉M5×20	Screw M5×20	4	
3	142031002	合页A	Hinge A	2	
4	S16022	自攻螺钉ST5×14	Screw ST5×14	12	
5	142032093	开合台面	Opening and closing table	1	
6	42231512	压紧夹具	Clamping fixture	1	
7	417S30036	螺钉(带垫圈)M5×12	Screw (with washer) M5×12	4	
8	142012128	开合台面限位板A	Opening and closing table limit board A	1	
9	930000306	折叠杆支架B	Folding rod bracket B	2	142012019
10	142012031	螺纹板M5	Threaded plate M5	2	
11	1420NS20003	轴位螺钉M5B	Axial screw M5B	6	
12	41728028	垫圈5	Washer 5	6	
13	407N01001	自锁螺母M5	Self-locking nut M5	6	
14	930000307	折叠杆B	Folding rod B	2	142012020
15	1420NS20002	轴位螺钉M5A	Axial screw M5A	2	
16	42212620	挂钩	Hook up	1	
17	930000305	折叠杆A	Folding rod A	2	142012018
18	417S30036	螺钉(带垫圈)M5×12	Screw (with washer) M5×12	6	
19	930000304	折叠杆支架A	Folding rod bracket A	2	142012017

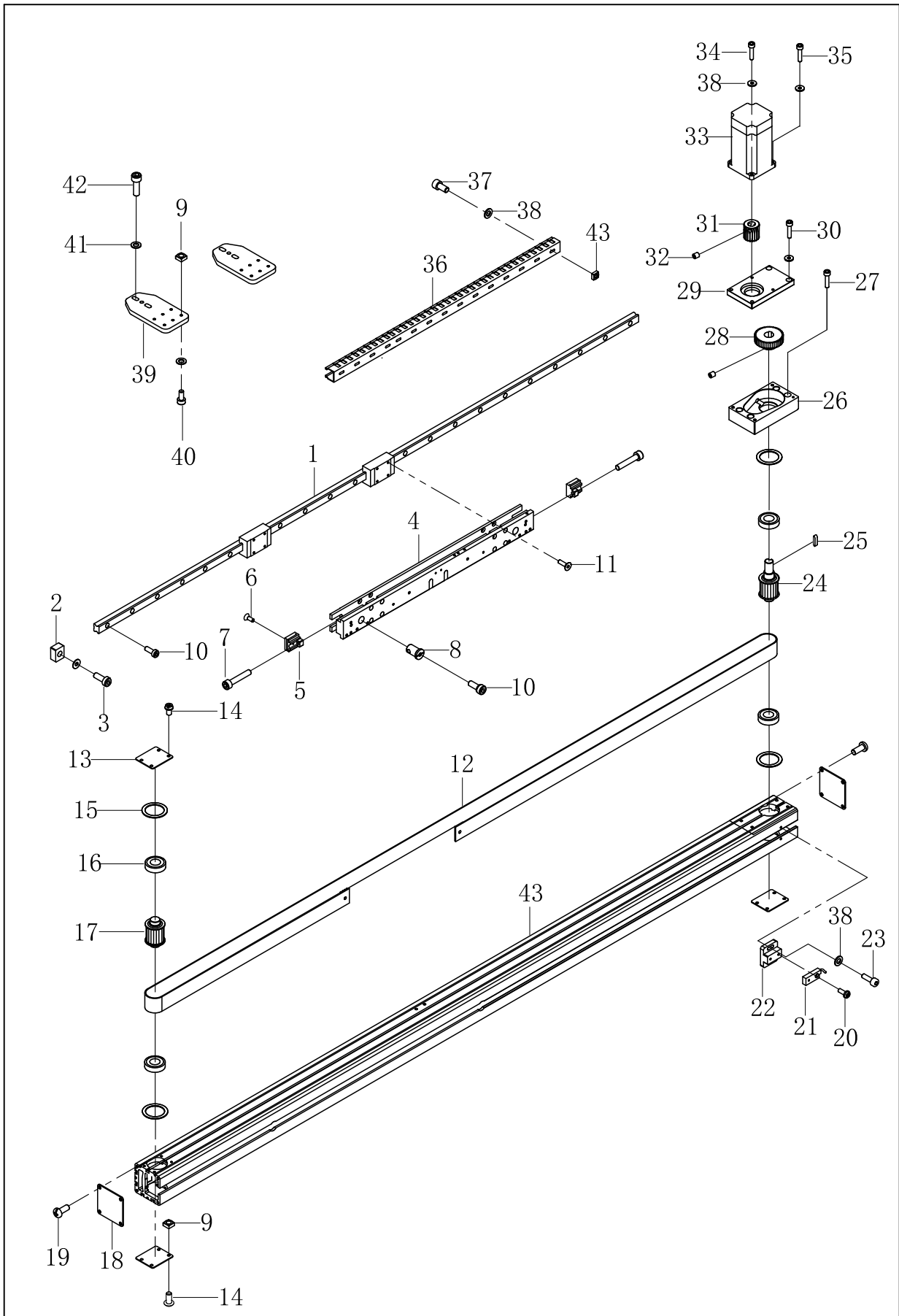
K3、辅助台面部分 / Auxiliary table mechanism



K3、辅助台面部分 / Auxiliary table mechanism

序号 No.	件号 Part. No.	零部件名称	NAME OF PARTS	数量 Amt.	备注
1	141932219	左辅助台面	Left auxiliary table	1	
2	141932220	右辅助台面	Right auxiliary table	1	
3	S05218	螺钉M5×22(镀镍)	Screw M5×22 (nickel plated)	8	
4	142012168	台面拼接板A	Board splicing board A	4	
5	407N01001	自锁螺母M5	Self-locking nut M5	24	
6	142003016	工程塑料轴套	Engineering plastic bushing	12	
7	142042020	辅助台面连接转动座	The auxiliary table is connected to the rotating seat	6	
8	142037007	急停开关标贴	Emergency stop switch sticker	1	
9	14192900200	T型接头M10组件	T-connector M10 assembly	8	
10	930001355	前支撑柱组件	Front support column assembly	2	14193221300
11	930001354	后支撑柱组件	Rear support column assembly	2	14193221200
12	141932214	双头螺杆	Double-ended screw	4	
13	N01009	螺母M10	Nut M10	4	
14	417S30036	螺栓(带垫圈)M5×12	Screw (with washer)M5 x 12	14	
15	141912332	支撑杆座	Support rod holder	2	
16	S05035	螺钉 M5×25	Screw M5×25	12	
17	S05026	螺钉M5×20	Screw M5×20	12	

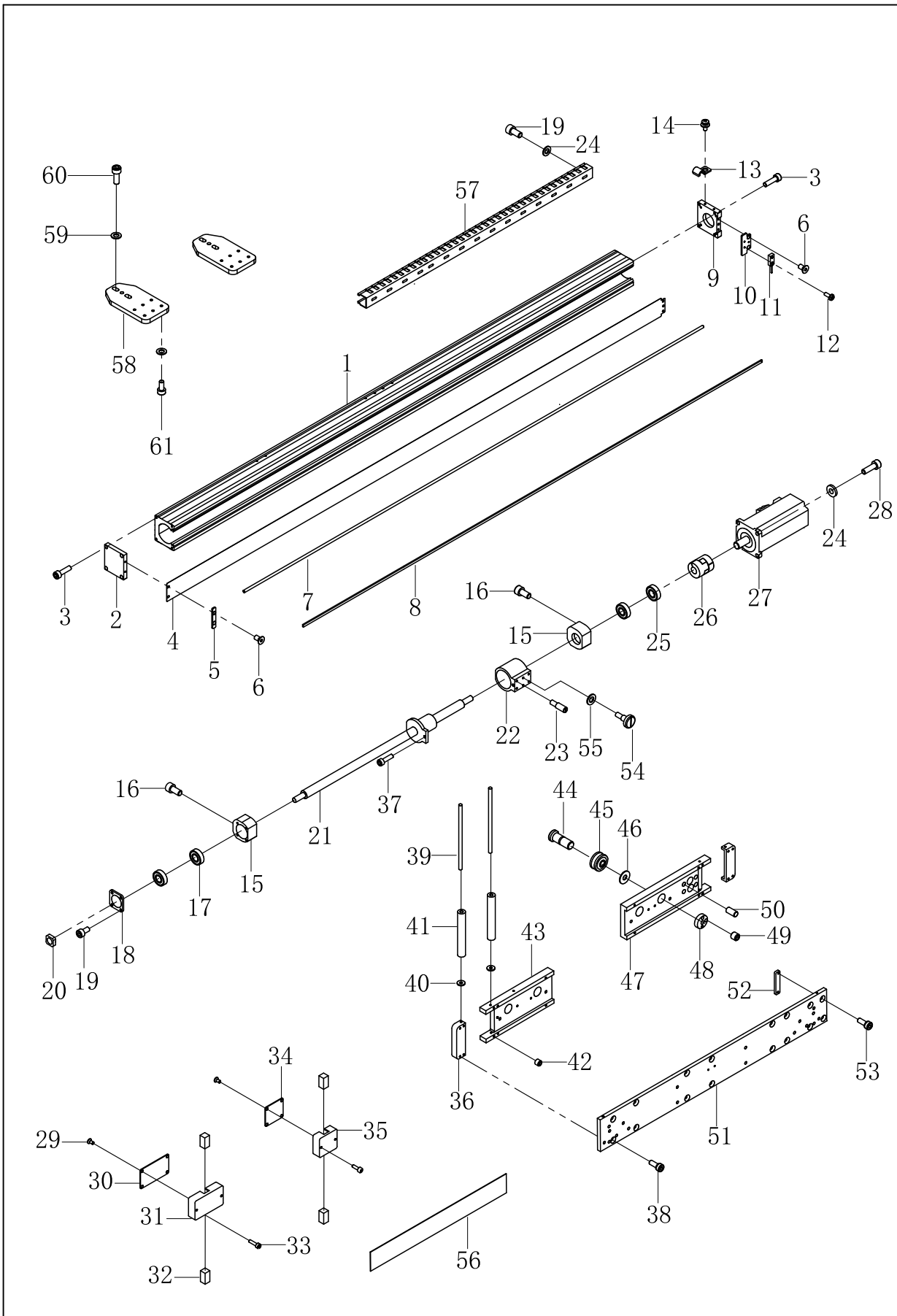
L1、X送料装置(T) / X Feed mechanism (T)



L1、X送料装置(T) / X Feed mechanism (T)

序号 No.	件号 Part. No.	零部件名称	NAME OF PARTS	数量 Amt.	备注
1	142042026	X导轨	X rail	1	
2	142011019	防撞橡胶垫	Anti-collision rubber pad	2	
3	S05133	螺钉M4×12	Screw M4×12	2	
4	142042038	压框连接座B	Compression frame connector	1	
5	142001027	同步带扣	Synchronous belt buckle	2	
6	421S10015	螺钉M3×8	Screw M3×8	2	
7	L01864	螺钉M5×45	Screw M5×45	2	
8	142026010	同步带拉紧销	Timing belt tension pin	2	
9	N03009	螺母块M4	Nut block M4	24	
10	S05133	螺钉M4×12	Screw M4×12	15	
11	407S17001	沉头螺钉M4×10	Screw M4×10	8	
12	142035001	同步带	Synchronous belt	1	
13	142012209	轴承盖板	Bearing cover	3	
14	421S10022	沉头螺钉M4×6	Screw M4×6	12	
15	142028011	平垫圈	Flat washer	4	
16	B04126	轴承6003	Bearing 6003	4	
17	14203500500	从动带轮组件B	Driven pulley assembly B	1	
18	142012208	端盖	End cap	2	
19	S04028	盘头螺钉M5×8	Screw M5×8	8	
20	421S10015	螺钉M3×8	Screw M3×8	1	
21	41730851	传感器	Sensor	1	
22	142042082	传感器安装座B	Sensor mount	1	
23	S05133	螺钉M4×12	Screw M4×12	2	
24	14203500400	主动带轮组件B	Driving pulley assembly B	1	
25	K01020	键	Key	1	
26	142042044	齿轮箱	Gear box	1	
27	S05035	内六角螺钉M5×25	Screw M5×25	4	
28	142025004	被动齿轮	Passive gear	1	
29	142012210	齿轮箱盖	Gear box cover	1	
30	S05118	螺钉M4×16	Screw M4×16	2	
31	142025003	主动齿轮	Driving gear	1	
32	403S14006	紧定螺钉M6-0.75	Screw M6-0.75	5	
33	142033003	模组电机	Modular motor	1	
34	S05064	螺钉M4×30	Screw M4×30	2	
35	S05118	螺钉M4×16	Screw M4×16	2	
36	142511012	线槽4030L800	Trunking 4030L800	1	
37	S05115	螺钉M4×6	Screw M4×6	4	
38	W01001	平垫圈4	Flat washer 4	26	
39	142014002	送料连接板	Feeding connecting plate	2	
40	421S13035	螺钉M4×8	Screw M4×8	12	
41	41728033	垫片M6	Gasket M6	4	
42	S05111	螺钉M6×20	Screw M6×20	4	
43	142042037	横梁型材B	Cross beam Profile Bar B	1	

L2、X送料装置(S) / X Feed mechanism (S)

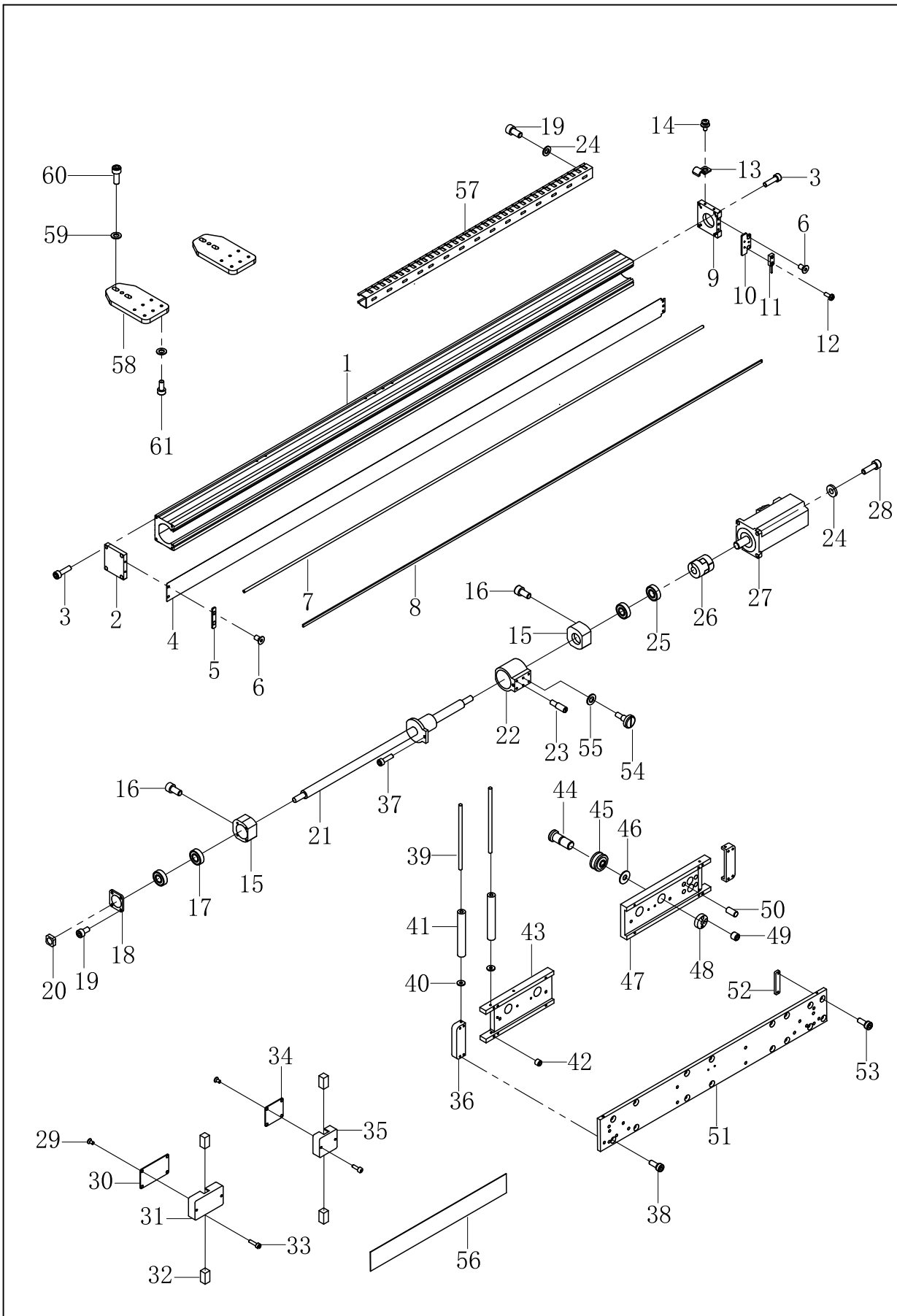


L2、X送料装置(S) / X Feed mechanism (S)

序号 No.	件号 Part.No.	零部件名称	NAME OF PARTS	数量 Amt.	备注
1	141801044	丝杆罩壳	Screw housing	1	
2	141801051	端盖	End cap	1	
3	S05124	螺钉M5×16	Screw M5×16	8	
4	141812259	防尘钢带	Dust proof steel strip	1	
5	141812261	钢条压紧板	Steel bar pressing plate	1	
6	S02039	沉头螺钉M4×9	Screw M4×9	4	
7	141824012	导轨轴	Guide	2	
8	141822019	软磁条	Soft magnetic stripe	2	
9	141801050	电机安装座	Motor mounting base	1	
10	141812260	传感器安装板	Sensor mounting plate	1	
11	41730851	传感器	Sensor	1	
12	421S10015	螺钉M3×8	Screw M3×8	1	
13	41711014	线夹	Wire clip Wire clip	2	
14	417S30025	螺钉(带垫圈)M4×10	Screw M4×10	2	
15	141801045	轴承座	Bearing pedestal	2	
16	417S30036	螺钉M5×12	Screw M5×12	8	
17	B11011	轴承7001C DB	Bearing	2	
18	141812258	轴承挡板	Bearing baffle	1	
19	421S13035	螺钉M4×8	Screw M4×8	4	
20	141824017	丝杆锁紧螺母	Screw lock nut	1	
21	141824018	丝杆组件	Screw assembly	1	
22	141801046	丝杆螺母安装座	Screw nut mounting base	1	
23	141802030	轴位螺钉M5	Screw M5	4	
24	W01001	平垫圈4	Washer 4	19	
25	B01058	轴承6001ZZ	Bearing	2	
26	141903082	联轴器	Coupling	1	142003007
27	141930057	X丝杆电机	X screw motor	1	
28	S05118	螺钉M4×16	Screw M4×12	4	
29	S02032	螺钉M3×6	Screw M3×5	8	
30	141812281	油盒盖板B	Oil box cover plate B	1	
31	141801067	油盒B	Oil box B	1	
32	141823006	油毡	Asphalt felt	4	
33	S05052	螺钉M3×10	Screw M3×10	4	
34	141812280	油盒盖板A	Oil box cover plate A	1	
35	141801066	油盒A	Oil box A	1	
36	141801054	钢带压块	Steel strip pressing block	2	
37	421S13059	螺钉M5×20	Screw M5×20	1	
38	S05133	螺钉M4×12	Screw M4×12	14	
39	141826009	圆柱销3	Cylindrical pin	4	
40	W01002	平垫圈3	Washer 3	12	
41	141844010	塑料轴套P210RLM-0309-	Plastic bushing P210RLM-0309-50	4	
42	S09103	螺钉M4×4	Screw M4×4	8	
43	141801048	移动块B	Moving block B	1	
44	141824014	轴位螺钉M6	Axial screw	8	
45	B01057	轴承SG66	Bearing	8	
46	141812263	平垫圈	Washer	8	
47	141801047	移动块A	Moving block A	1	
48	141810001	调节螺母	Adjusting nut	4	
49	413S14013	螺钉M5×6	Screw M5×6	4	
50	141844011	塑料轴套GSM-0608-10	Plastic bushing GSM-0608-10	4	

24.04前

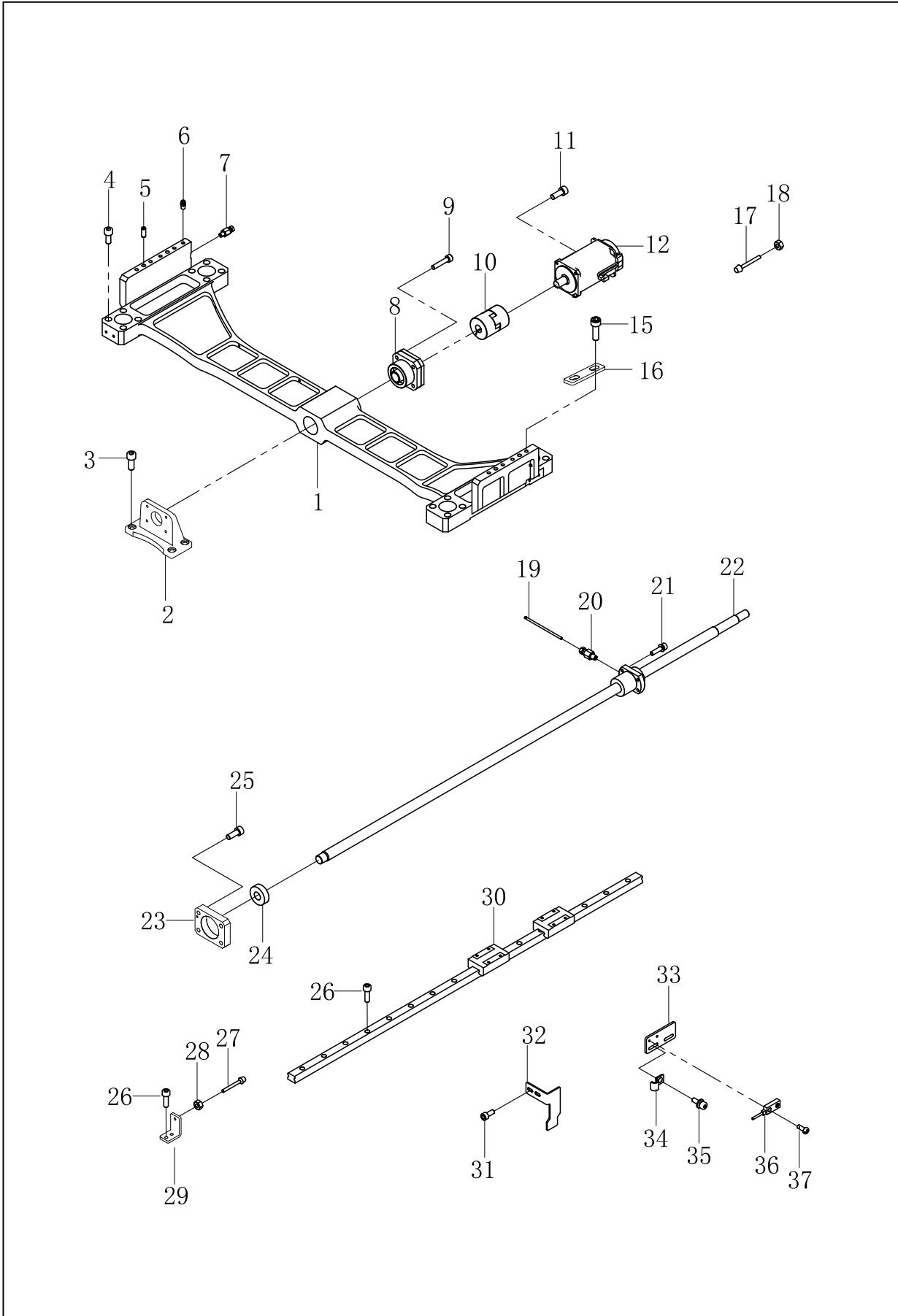
L2、X送料装置(S) / X Feed mechanism (S)



L2、X送料装置(S) / X Feed mechanism (S)

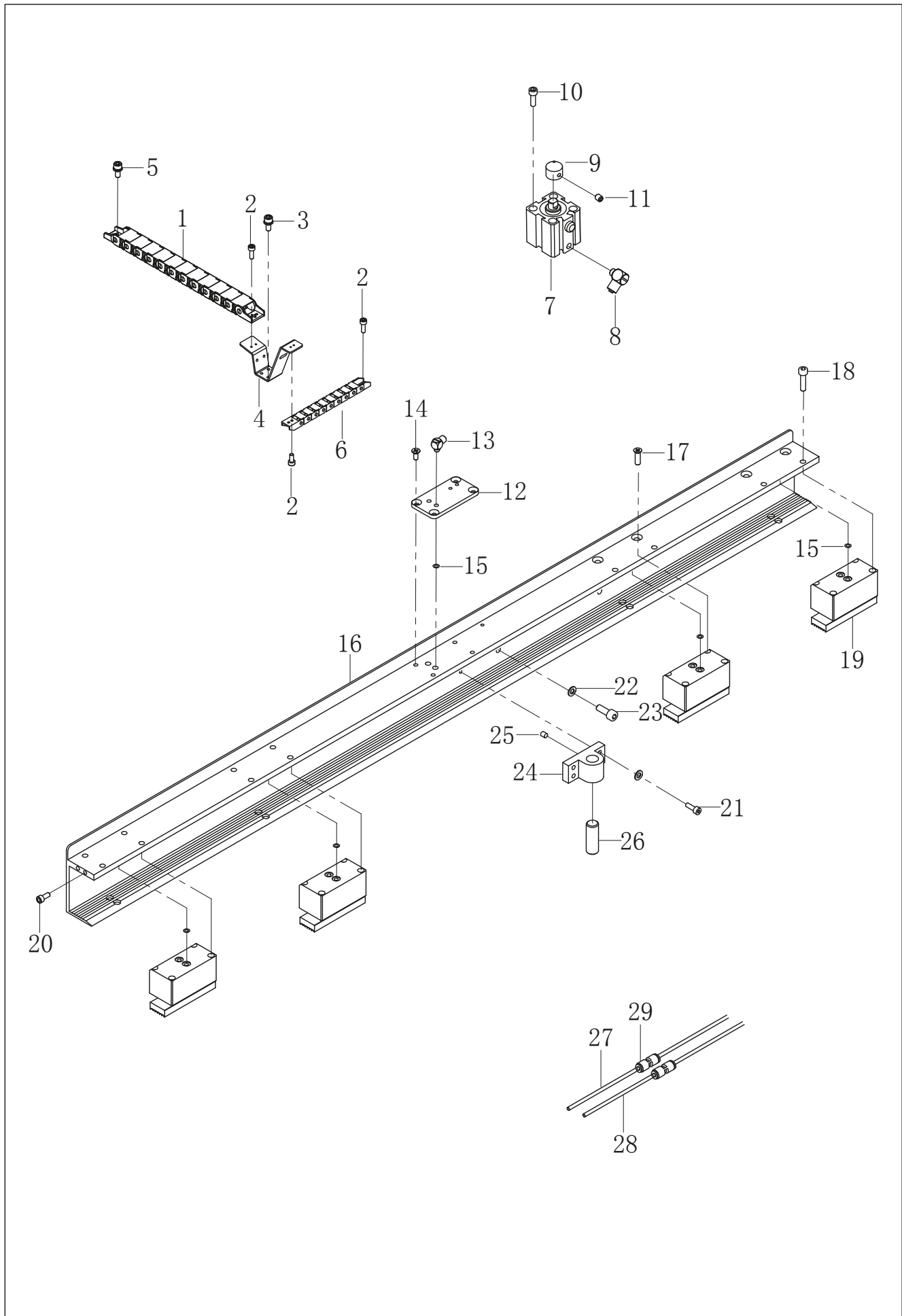
序号 No.	件号 Part.No.	零部件名称	NAME OF PARTS	数量 Amt.	备注
51	142001033	移动块盖板	Moving block cover plate	1	
52	141812262	传感器感应片	Sensor plate	1	
53	421S13035	螺钉M4×8	Screw M4×8	2	
54	417S30003	段螺钉	Screw	2	
55	41722021	O形圈P7	O-ring P7	2	
56	141831028	耐磨带	Wear resistant belt	0.4	
57	142511012	线槽4030L800	Trunking 4030L800	1	
58	142014002	丝杆送料联接板	Screw feed connection seat	2	
59	41728033	垫片M6	Gasket M6	4	
60	S05111	螺钉M6×20	Screw M6×20	4	
61	S05133	螺钉M4×12	Screw M4×12	12	

M、Y送料装置 / Y Feed mechanism



M、Y送料装置 / Y Feed mechanism					
序号 No.	件号 Part.No	零部件名称	NAME OF PARTS	数量 Amt.	备注
1	142001031	Y丝杆驱动座Y	Y screw drive seat	1	
2	141801015	Y丝杆前支撑座	Front support for Y lead rod	1	
3	S05074	螺栓M8×20	Bolt M8 x 20	4	
4	S05087	螺钉M5×12	Screw M5x12	16	
5	41826011	圆柱销6×15	Cylindrical pin 6x15	1	
6	142036004	黄油嘴接头M6	Butter Nipple M6	1	
7	41836011	铜卡套式直通油管接头M6	Copper snap-through tubing connector M6	1	
8	142024018	丝杆轴承座FK15 (NSK)	Screw housing FK15 (NSK)	1	
9	S05124	螺钉M5×16	Screw M5x16	4	
10	142003027	联轴器19-13	Coupling 19-13	1	
11	S05124	螺钉M5×16	Screw M5x16	4	
12	141933024	Y丝杆电机	Y screw motor (high pressure)	1	
15	S05085	螺钉M6×15	Screw M6x15	2	
16	141912342	模组调节板M	Beam	1	
17	141822009	橡胶头螺钉M6	Screw M6	2	
18	205S16005	JK-788-180-41螺母	M6 nut	1	
19	141821006	油管	Tubing	1	
20	41836011	铜卡套式直通油管接头M6	Copper snap-through tubing connector M6	1	
21	421S13059	螺钉M5×20	Screw M5x20	4	
22	141924009	Y丝杆组件B	Y screw assembly B	1	
23	41801042	Y丝杆支撑端轴承座Y	Y screw rod support end bearing	1	
24	B01033	轴承6203	Bearing 6203	1	
25	S05040	螺钉M6×16	Screw M6x16	4	
26	S05124	螺钉M5×12	Screw M5x12	24	
27	141822009	橡胶头螺钉M6	Rubber head screw M6	1	
28	205S16005	JK-788-180-41螺母	M6 nut	1	
29	41812028	Y限位板B	Y limit plate B	2	
30	142024001	Y导轨Y	Y guide	2	
31	S05133	螺钉M4×12	Screw M4x12	2	
32	142012236	Y传感器感应板F	Y sensor plate F	1	
33	141912362	Y传感器安装板	Y sensor mount	1	
34	12912326	铜线夹Copper	Copper wire clamp Copper	1	
35	417S30302	螺钉M4×12	Screw M4x12	2	
36	41730851	传感器	Sensor	1	
37	421S10005	螺钉M3×6	Screw M3x6	1	

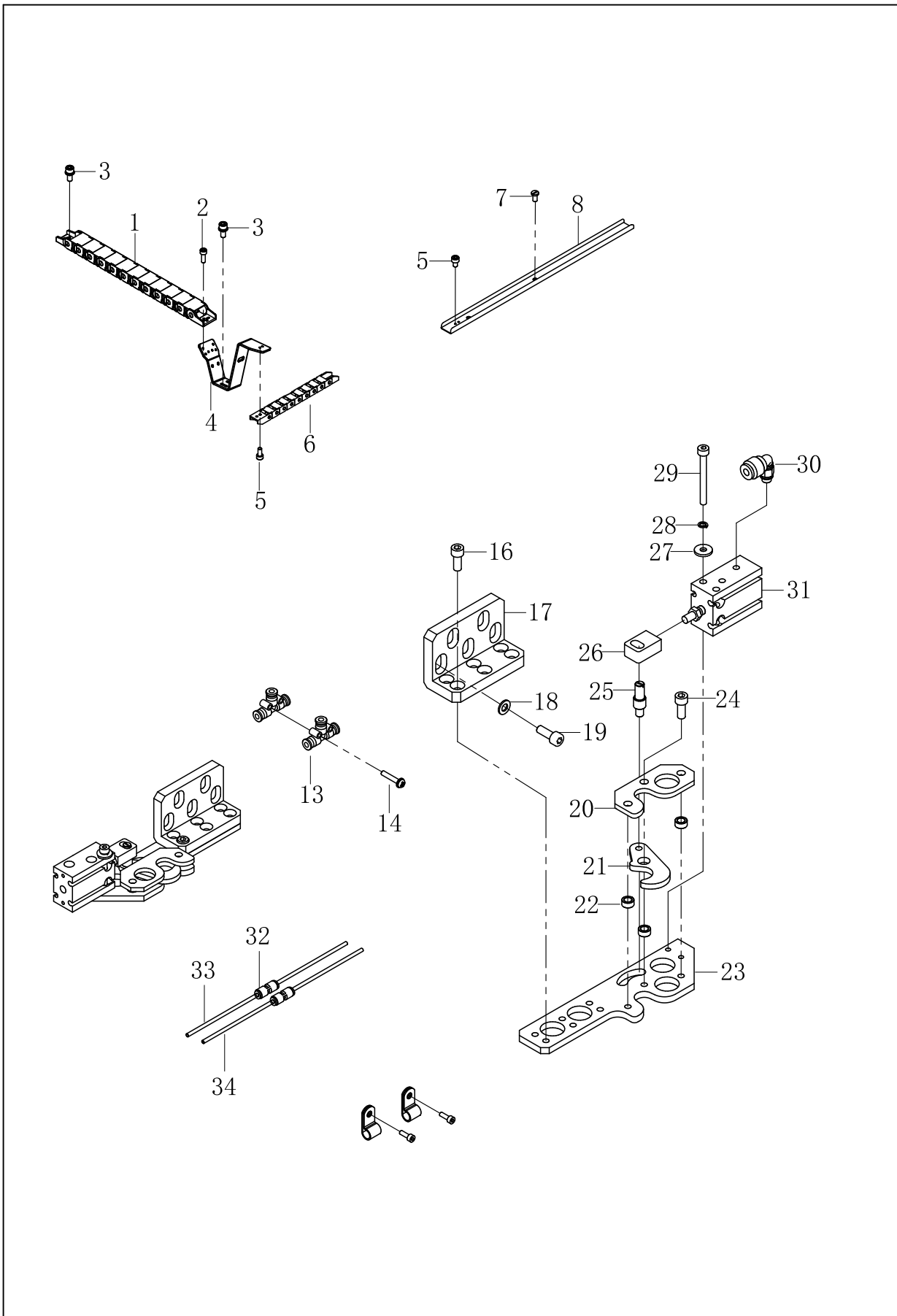
N1、压紧夹具装置 / Clamping fixture mechanism



N1、压紧夹具装置 / Clamping fixture mechanism

序号 No.	件号 Part. No.	零部件名称	NAME OF PARTS	数量 Amt.	备注
1	142011020	Y拖链B	Plastic towline B	1	
2	413S13008	螺钉(带垫圈)M4×8	Screw M4×8	6	
3	417S30036	螺钉(带垫圈)M5×12	Screw M5×12	2	
4	930001893	拖链支架	Drag chain bracket	1	141912352
5	421S13003	螺钉M4×8	Screw M4×8	2	
6	141811001	小坦克链	Small towline	1	
7	142045016	顶柱气缸B	Top column cylinder B	2	
8	42230519	微型接头M-5HLH-4	Mini connector M-5HLH-4	2	
9	142009013	顶柱B	Top pillar B	2	
10	S05124	螺钉M5×16	Screw M5×16	8	
11	S09103	紧定螺钉M4×4	Set screw M4×4	2	
12	142045018	进气转接板	Intake adapter plate	1	
13	42230519	微型接头M-5HLH-4	Mini connector M-5HLH-4	2	
14	407S17001	十字沉头螺钉	Phillips countersunk head screws	4	
15	142022007	O形圈6×1	O-ring 6×1	10	
16	142042045	压框架B	Pressure frame B	1	
17	421S17005	沉头螺钉	countersunk head screws	4	
18	S05124	螺钉M5×16	Screw M5×16	12	
19	142045017	下压气缸B	Press down cylinder B	4	
20	413S13010	螺钉M5×8	screw M5×16	4	
21	417S30034	螺钉M4×14	screw M4×14	4	
22	41728028	垫圈5	washer 5	10	
23	S05087	螺钉M5×12	screw M4×12	6	
24	42512028	限位支座	Limit bearing	1	
25	S09019	螺钉M5×5	screw M5×5	1	
26	42526008	限位销	Limit pin	1	
27	41845223	气管φ4×2.5透明蓝	tube φ4×2.5 transparent blue	1.2	
28	41845224	气管φ4×2.5黑色	tube φ4×2.5 black	1.2	
29	41836501	管接头PU4	Weasand connector PU4	2	
30	142042049	胶带13	Tape 13	0.8	
31	142042048	胶带25	Tape 25	0.8	

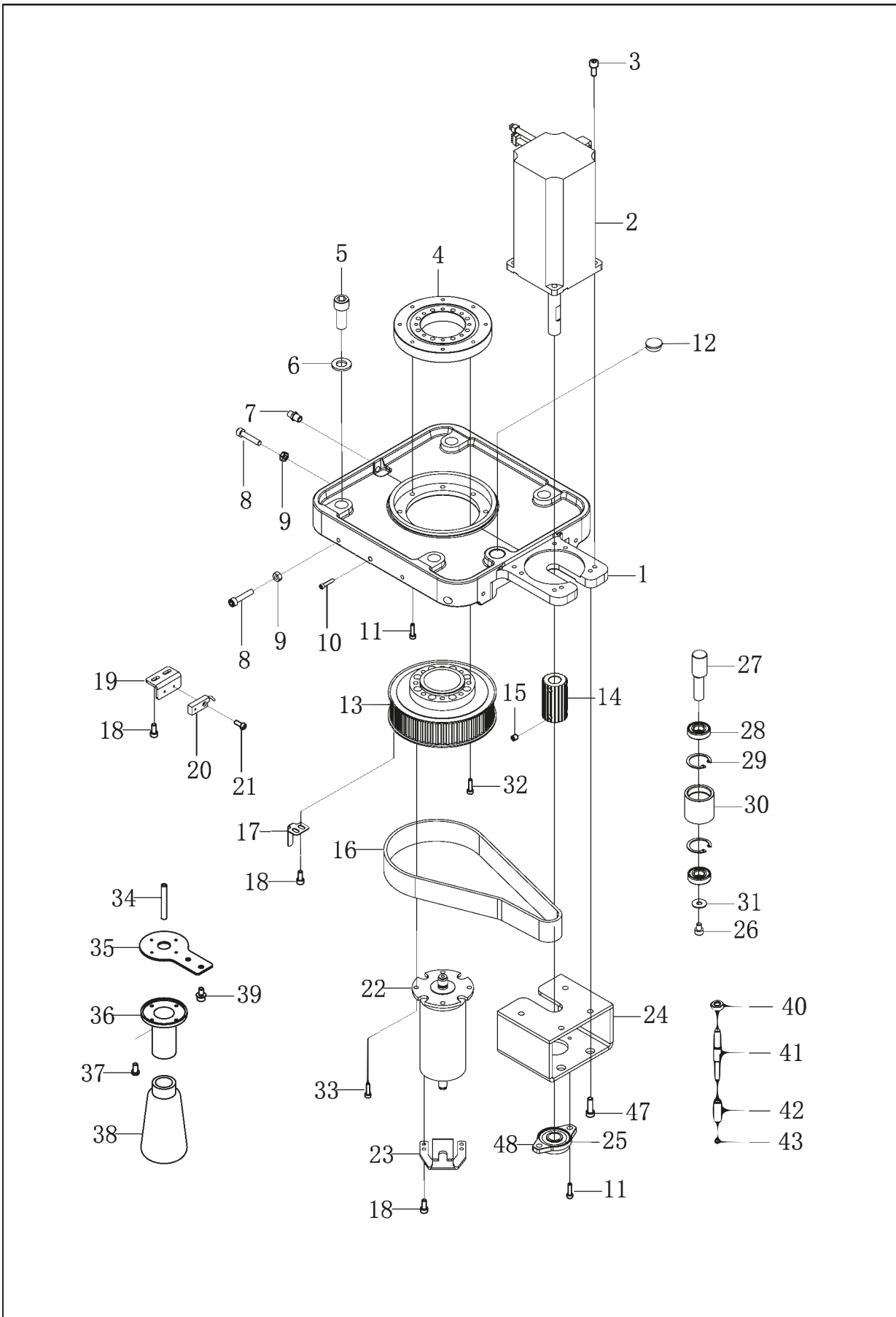
N2、夹扣夹具装置 / Clamping fixture mechanism



N2、夹扣夹具装置 / Clamping fixture mechanism

序号 No.	件号 Part. No.	零部件名称	NAME OF PARTS	数量 Amt.	备注
1	141911035	Y向拖链M	Y-oriented energy chain M	1	
2	S05115	螺钉M4×6	Screw M4×8	6	
3	417S30036	螺钉(带垫圈)M5×12	Screw M5×12	2	
4	930001893	拖链支架	Drag chain bracket	1	141912352
5	421S13003	螺钉M4×8	Screw M4×8	2	
6	141811001	小坦克链	Small towline	1	
7	417S15008	螺钉M4×8	Screw M4×8	2	
8	142012213	夹扣拖链导板	Clip-on chain guide	1	
9	421S13003	螺钉M4×8	Screw M4×8	2	
10	41711014	塑料线夹	Plastic clamp	2	
11	S05115	螺钉M4×6	Screw M4×8	2	
12	141845002	气管接头(三通)	Trachea joint	2	
13	407S04053	螺钉M3×25	Screw M3×25	2	
14	42536004	气管接头	Weasand connector	4	
15	41730441	气缸CU16-15D	Cylinder CU16-15D	2	
16	S05121	螺钉M5×10	Bolt M5×10	12	
17	41842218	夹具连接板B	Clamp Connection plate B	2	
18	W01009	垫圈5	Washer	8	
19	S05124	螺钉M5×16	Bolt M5×16	8	
20	42212607	夹紧杆挡板	Press bar Baffle	2	
21	42212813	夹紧杆	Press bar	2	
22	42228811	转动垫圈	Moving washer	6	
23	42212538	夹具安装板L	Clamp Installation board L	2	
24	S05087	螺钉M5×12	Bolt M5×12	6	
25	42226811	接头销	Pin	2	
26	401727	接头	Connector	2	
27	42128003	垫圈	Washer	4	
28	W02008	弹簧垫圈2-4	Spring Washer	4	
29	S05065	螺钉M4×40	Screw M4×40	4	

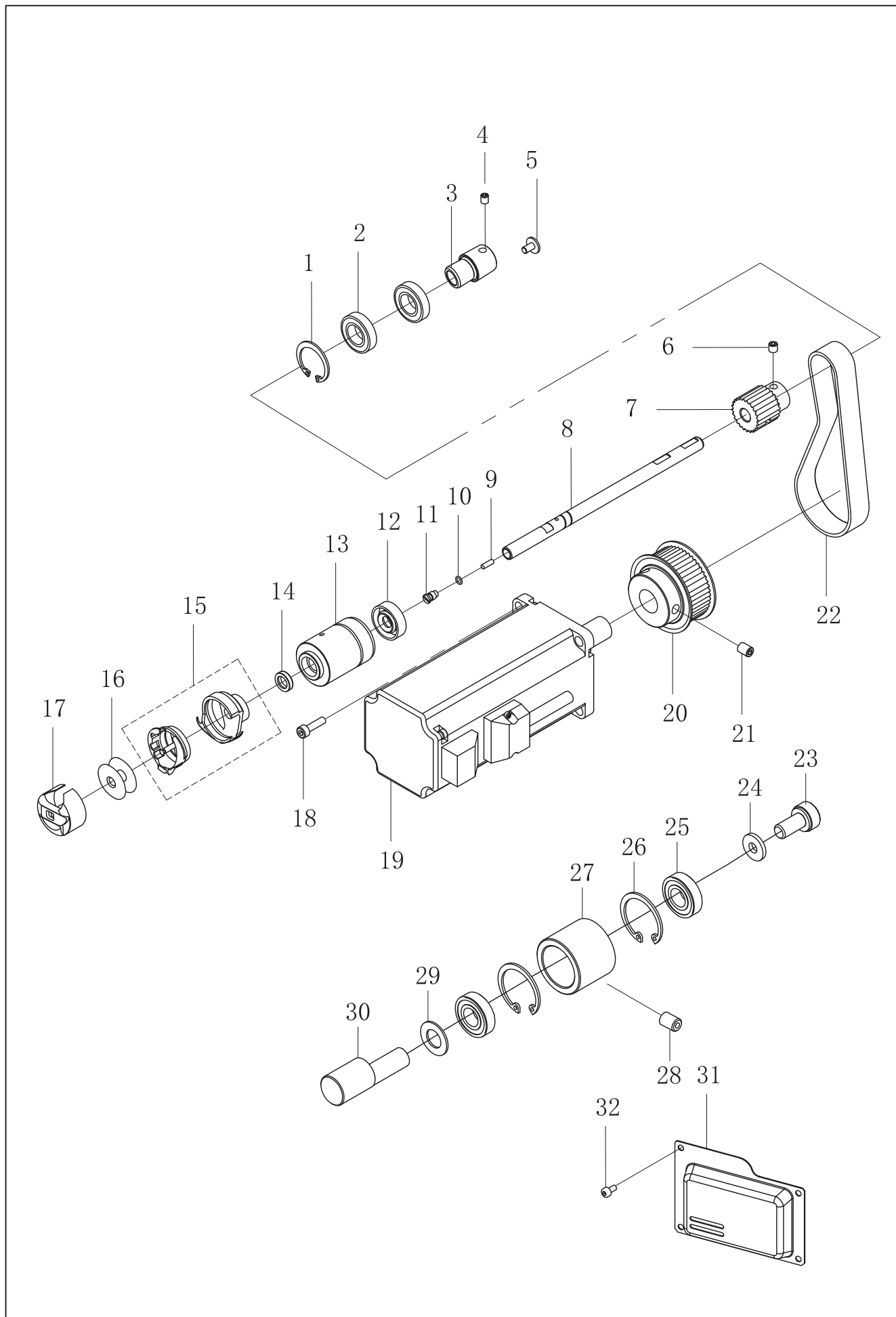
0、下旋转装置 / Rotating mechanism



0、下旋转装置 / Rotating mechanism

序号 No.	件号 Part. No.	零部件名称	NAME OF PARTS	数量 Amt.	备注
1	930001349	下旋转安装座C	Lower swivel mount C	1	141901125
2	141933023	下旋转电机	Lower rotating motor	1	
3	S05111	螺钉M6×20	Screw M6 x 20	4	
4	141924007	RU85交叉滚子轴承	RU85 crossed roller bearings	1	
5	S05593	螺钉M12×50	Screw M12 x 50	4	
6	W01016	垫片	Gasket	4	
7	12936004	油管嘴	Tubing mouth	1	
8	S05072	螺钉M6×30	Screw M6 x 30	4	
9	205S16005	螺母M6	Nut M6	6	
10	421S13072	螺钉M4×25(带垫)	Screw M4 x 25(with pad)	1	
11	S05124	螺钉M5×16	Screw M5x16	10	
12	141522007	橡皮塞18.5	Rubber stopper 18.5	1	
13	14193503000	大同步轮组件	Large synchronous wheel assembly	1	
14	141935031	小同步轮C	Small sync wheel C	1	
15	S10019	螺钉M6×6	Screw M6 x 6	6	
16	141935016	同步带30-650-5M	Synchronous belt 30-650-5M	1	
17	141912319	下旋转感应片	Lower rotation sensor	1	
18	421S13012	螺钉M4×10	Screw M4 x 10	8	
19	141912318	感应器安装板C	Sensor mounting plate C	1	
20	41730851	传感器	The sensor	1	
21	421S10005	螺钉M3×6	Screw M3 x 6	1	
22	141930054	下旋转滑环	Lower swivel slip ring	1	
23	141912317	下止转板C	Lower check plate C	1	
24	141912334	轴承安装座C	Bearing mount C	1	
25	141903064	轴承座	Diamond housing bearings 15mm	1	
26	413S13010	螺钉M5×8(滚花)	Screw M5x8 (knurled)	1	
27	141910008	张紧轮销C	Tensioning wheel pin C	1	
28	B01058	轴承(6001-Z)	Bearing (6001-Z)	2	
29	H01011	孔用弹性挡圈28	Circlip for hole 28	2	
30	141903062	张紧轮C	Tensioning wheel C	1	
31	W01021	垫圈6.3×18×1.2	Washer6.3x18x1.2	1	
32	S05218	螺钉M5×22	Screw M5 x 22	8	
33	421S13046	螺钉M5×45	Screw M5 x 45	8	
34	12921005	维尼龙油管(φ4×φ6)	Vynylon tubing (4x 6)	1	
35	41812014	废油壶安装板	Waste oil pot mounting plate	1	
36	40311010	油壶接头	The oil can joint	1	
37	421S10005	螺钉M3×6	Screw M3 x 6	4	
38	40311011	回油油壶	Oil return can	1	
39	417S30035	螺钉M5×10	Screw the M5 x10	2	
40	N01011	螺母M8	Nut M8	1	
41	141926009	止转杆	Anti rotation rod	1	
42	141903017	止转尼龙套	Non-rotating nylon sleeve	1	
43	13829001	轴用弹性挡圈6	Circlip 6 for shaft	1	
44	41328009	垫圈 12.5×16×0.5	Washers 12.5x16x0.5	1	
45	S05998	螺钉M6×65	Screws M6x65	2	
47	S05085	螺钉M6×15	Screw M6 x 15	1	
48	B01008	轴承	Bearing	1	

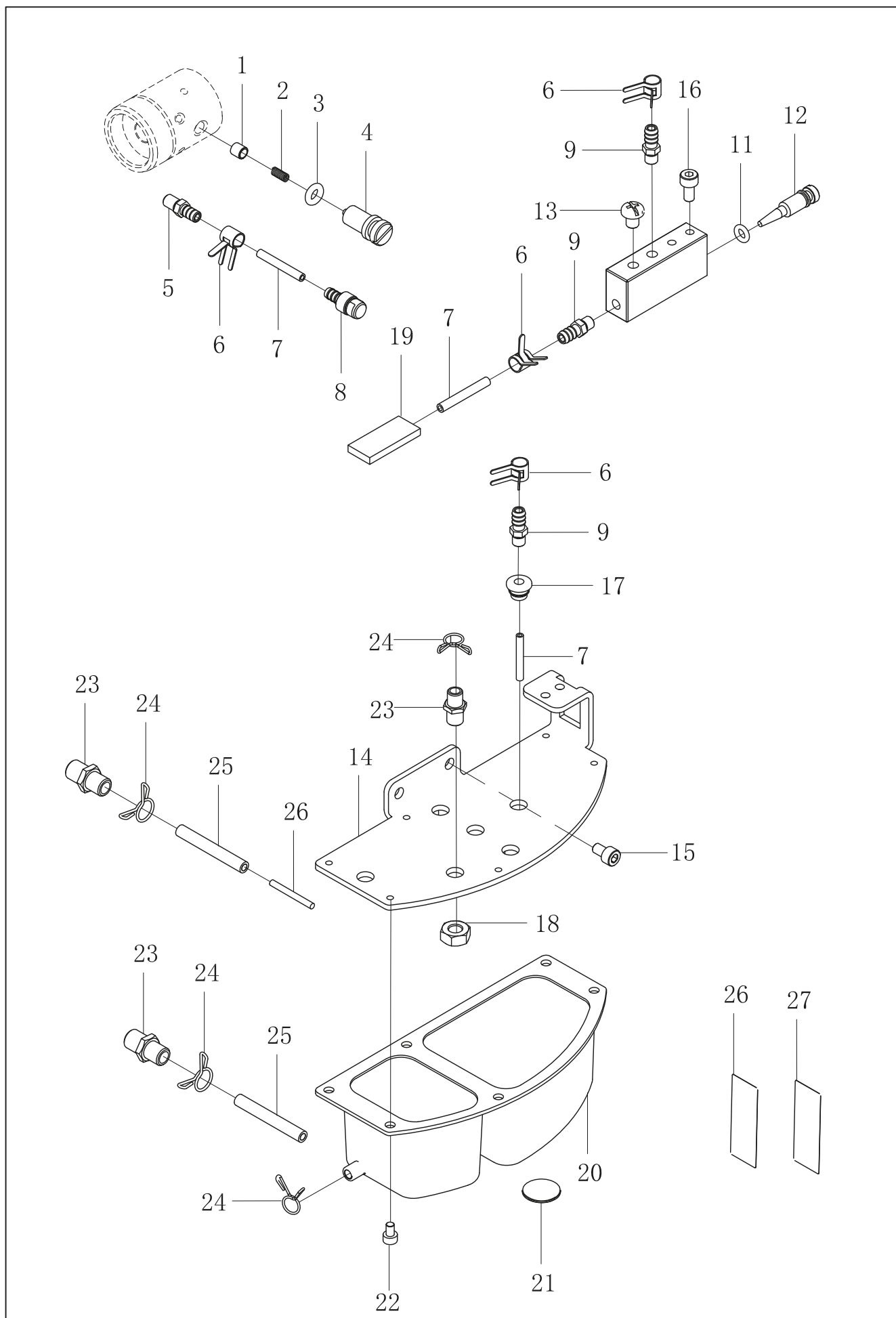
P1、下轴装置 / Lower shaft mechanism



P1、下轴装置/Lower shaft mechanism

序号 No.	件号 Part. No.	零部件名称	NAME OF PARTS	数量	备注
1	H01106	孔用弹性挡圈24	Elastic retainer for hole 24	1	
2	B01060	轴承61901-2RZ	Rz bearing 61901-2	2	
3	141903007	下轴轴承套	Lower shaft bearing sleeve	1	
4	113S14002	螺钉SM11/64(40)×5.5	Screw SM11/64×5.5(40)	2	
5	418S30218	螺钉M4×7	Screw the M4×7	2	
6	S10019	螺钉M6×6	Screw M6×6	2	
7	141935034	下节小同步轮B	Lower section small sync wheel	1	
8	141902033	下轴M	The shaft	1	
9	141823001	下轴限油芯	Lower shaft limiting oil core	1	
10	141822002	O形圈	o-ring	1	
11	141803006	下轴油芯套	Lower shaft oil mandrel	1	
12	1142201400	下轴前轴套油封	Lower axle front bushing oil seal	1	
13	42203509	下轴前轴套	Lower shaft front sleeve	1	
14	11522001	油封	Oil seal	1	
15	41818101	旋梭组件	Hook component	1	
16	142018007	两倍底线检测梭芯	The bobbin	1	
17	42218002	梭芯套组件	Bobbin sleeve assembly	1	
18	S05124	螺钉M5×16	Screw M5×16	4	
19	141933401	下主轴电机	The shaft motor	1	
20	14193500200	下节大同步轮组件	Next section large synchronous wheel	1	
21	S10009	螺钉M6×8	Screw M6×8	2	
22	141935033	下节同步带15-318-S3M	synchronous belt is 15-318-S3M	1	
23	413S13010	螺钉M5×8	Screw M5×8	1	
24	41828611	平垫圈M5	Flat washer M5	1	
25	B04036	轴承61900	Bearings 61900	2	
26	H01122	孔用弹性挡圈	Elastic retaining ring for holes	2	
27	142003028	张紧轮B	Tensioner	1	
28	S10009	螺钉M6×8	Screw M5×10	2	
29	41728001	平垫圈10	Flat washer 10	1	
30	142002030	张紧轮偏心销	Tensioner pin	1	
31	930001377	下轴电机盖板	Lower shaft motor cover plate	1	141912315
32	421S13035	螺钉M4×8	Screw M4×8	4	

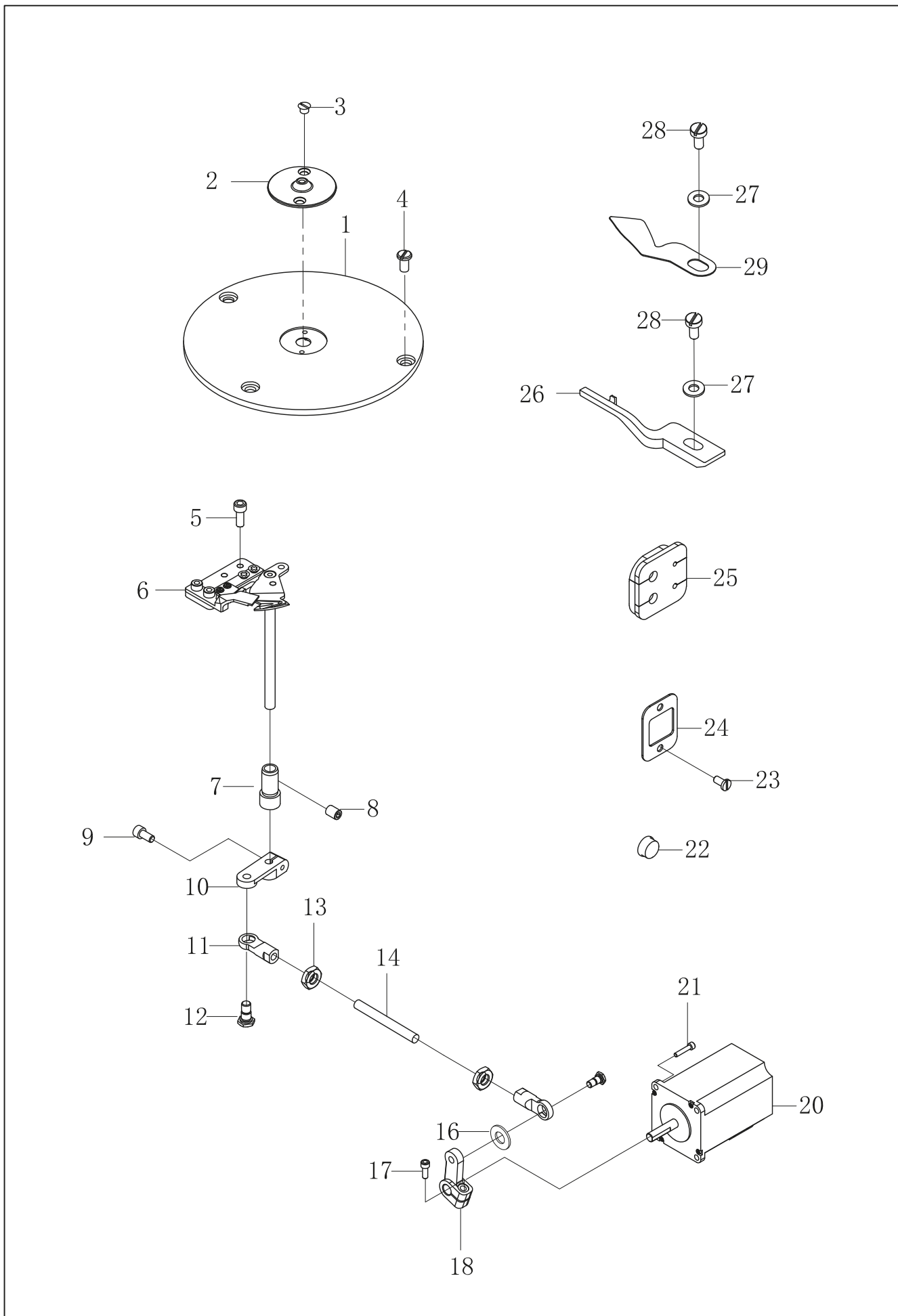
P2、旋梭供油装置 / Fusier oil supply mechanism



P2、旋梭供油装置/Fusier oil supply mechanism

序号 NO.	件号 Part. No.	零部件名称	NAME OF PARTS	数量 Amt.	备注
1	10526003	柱塞	plunger	1	
2	11427021	柱塞弹簧	Plunger spring	1	
3	10122010	O形圈	o-ring	1	
4	114S30010	插座螺钉	Socket screws	1	
5	114S30009	润滑连接器	Lubricating connector	3	
6	11412055	φ5.7油管卡簧	5.7 Tubing spring	6	
7	12921002	维尼龙油管(φ3×φ5)	Vynylon tubing(3×5)	1	
8	4183601700	滤网组件	Filter elements	1	
9	41836015	油管嘴M5	The line M5	3	
10	142009002	调节阀座A	Regulating seat A	1	
11	001004	O形圈	o-ring	1	
12	418S30612	调节螺钉	Adjusting screw	1	
13	S04030	复合槽螺钉M5×6	Composite slotted screw M5×6	1	
14	141912330	油壶安装板	Oil pot mounting plate	1	
15	413S13010	螺钉M5×8	Screw the M5×8	2	
16	421S13035	螺钉M4×8	Screw the M4×8	2	
17	40322027	橡皮塞	Rubber plug	4	
18	N01011	螺母M8	Nut M8	1	
19	10123006	回油毡	Return linoleum	1	
20	141911029	油壶C	Oil can C	1	
21	915624	磁铁15×1	The magnet 15×1	5	
22	421S13003	螺钉M4×8	Screw the M4×6	6	
23	12936004	油管嘴	Tubing mouth	3	
24	12912038	油管夹	Tubing clamps	5	
25	12921006	维尼龙油管(φ6×φ8)	Vynylon tubing(6×8)	1	
26	141937007	油量标贴	Oil labeling	1	
27	41837101	油量调节标签	Oil volume adjustment label	1	
28	12921005	维尼龙油管(φ4×φ6)	Vynylon tubing(4×6)	0.2	

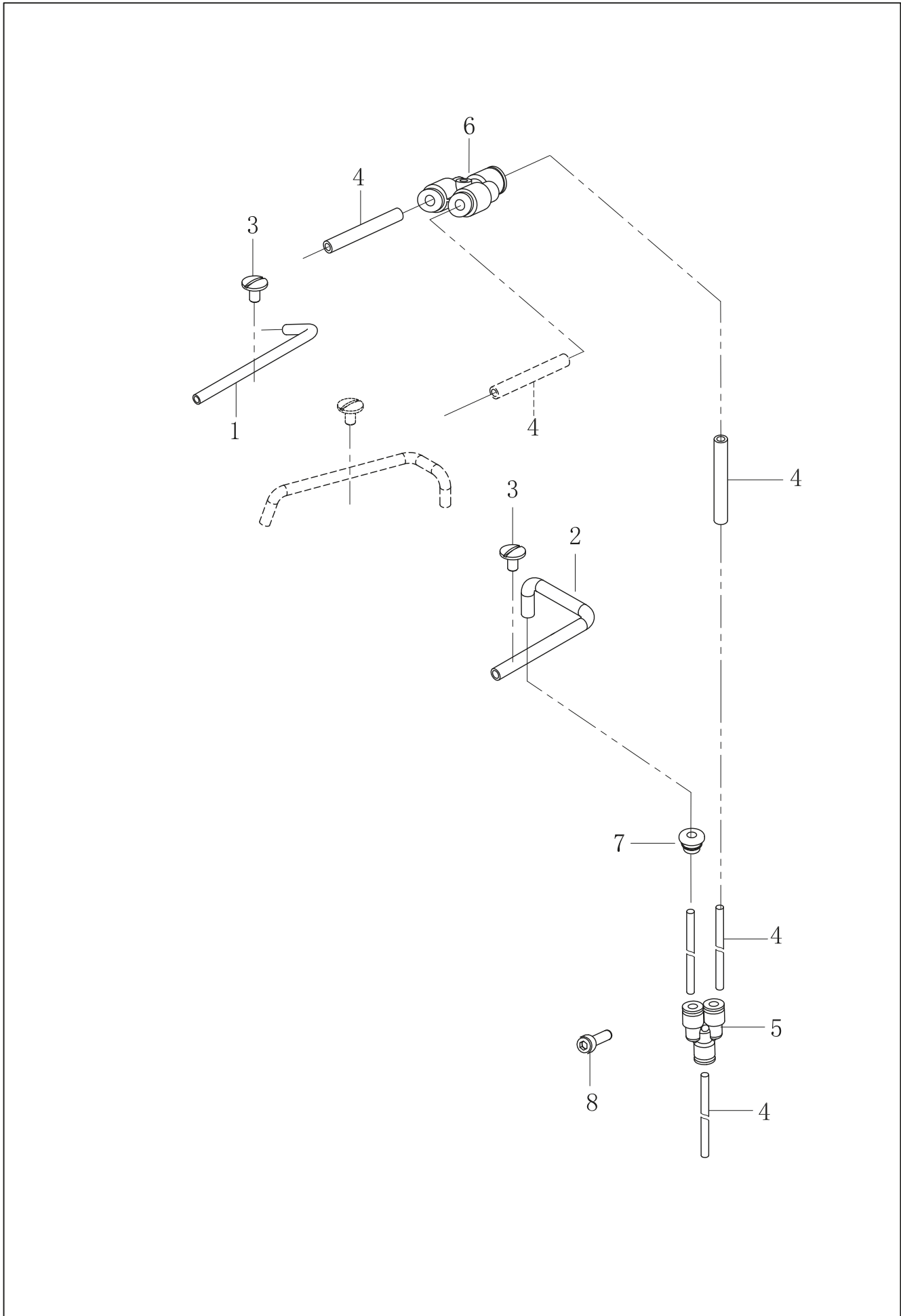
P3、切线装置-平刀 / Thread trimmer mechanism



P3、剪线装置-平刀/Thread trimmer mechanism-Flat knife

序号 NO.	件号 Part. No.	零部件名称	NAME OF PARTS	数量 Amt.	备注
1	141915007	针板M	Needle plate M	1	
2	141915008	针孔板	Tangent motor	1	
3	417S17001	螺钉SM2. 38	Screw SM2. 38	2	
4	417S15008	螺钉M4×8	Screw the M4×8	5	
5	413S13011	螺钉M4×12	Screw M4×12	2	
6	4181901100	切刀组件	Knife components	1	
7	41803017	轴套0508	Bushing 0508	1	
8	S09019	螺钉M5×5	Screw M5×5	3	
9	413S13011	螺钉M4×12	Screw M4×12	1	
10	41804022	切线摆杆	Tangent oscillating bar	1	
11	4170500300	接头组件	Adapter assembly	2	
12	1419NS20004	段螺钉B	Screw B	2	
13	205S16005	螺母M6	Nut M6	2	
14	141902031	剪线杆C	Thread cutting pole C	1	
16	141928009	垫圈	Washer	1	
17	S05118	螺钉M4×16	Screw M4×16	1	
18	41804021	切线驱动摆杆	Tangent drive oscillating bar	1	
20	141930052	切线电机M	Tangent motor	1	
21	S05124	螺钉M5×16	Screw M5×16	4	
22	10122005	橡皮塞	Rubber stopper	1	
23	421S13058	螺钉M4×6	Screw M4×6	2	
24	141912329	电机挡油板	Motor oil baffle	1	
25	141922018	下节橡胶塞	Lower section rubber stopper	1	
26	141812022	定位钩	Positioning hook	1	
27	W01009	平垫圈5	Washers 5	2	
28	116S11005	牙架曲柄螺钉	Holder crank screws	2	
29	13112007	分线片	Breakout segments	1	

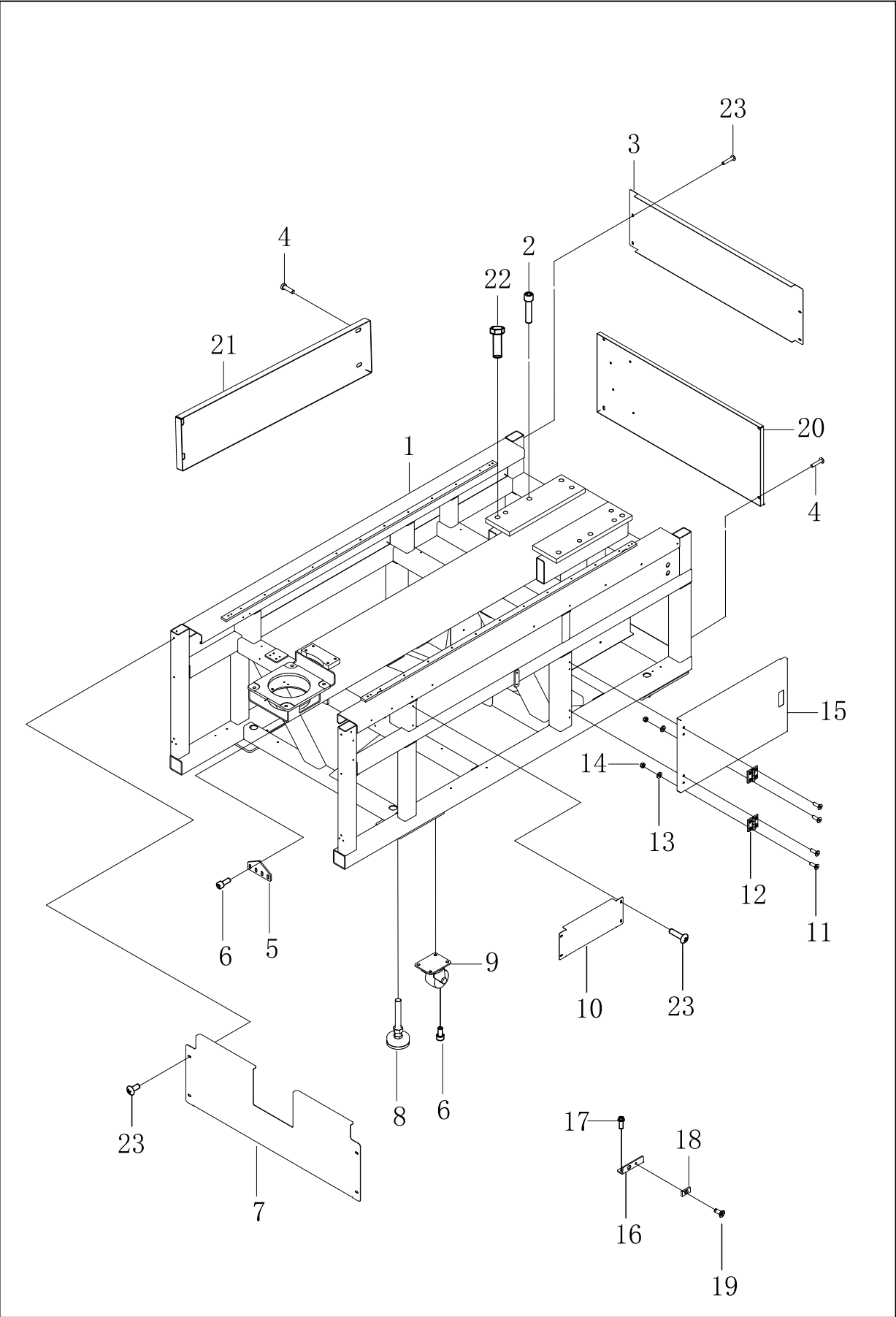
Q、吹气装置 / Air-blowing device



Q、吹气装置/Air-blowing device

序号 NO.	件号 Part. No.	零部件名称	NAME OF PARTS	数量 Amt.	备注
1	141921009	吹气铜管右	Blowing copper pipe	1	
2	141921008	吹气铜管左	Blowing copper pipe	1	
3	418S30218	螺钉M4×7	Screw M4×7	2	
4	41845224	气管φ4×2.5黑色	Trachea φ4×2.5 black	1	
5	140736004	气管接头	Tubing fittings	1	
6	40736036	气管接头APY4(Y型三通)	Trachea joint APY4(Y type tee)	1	
7	40322027	橡皮塞	Rubber plug	1	
8	S01591	螺钉M3×18	Screw M3×18	1	
9	142045009	气管φ6	Trachea φ6	0.3	

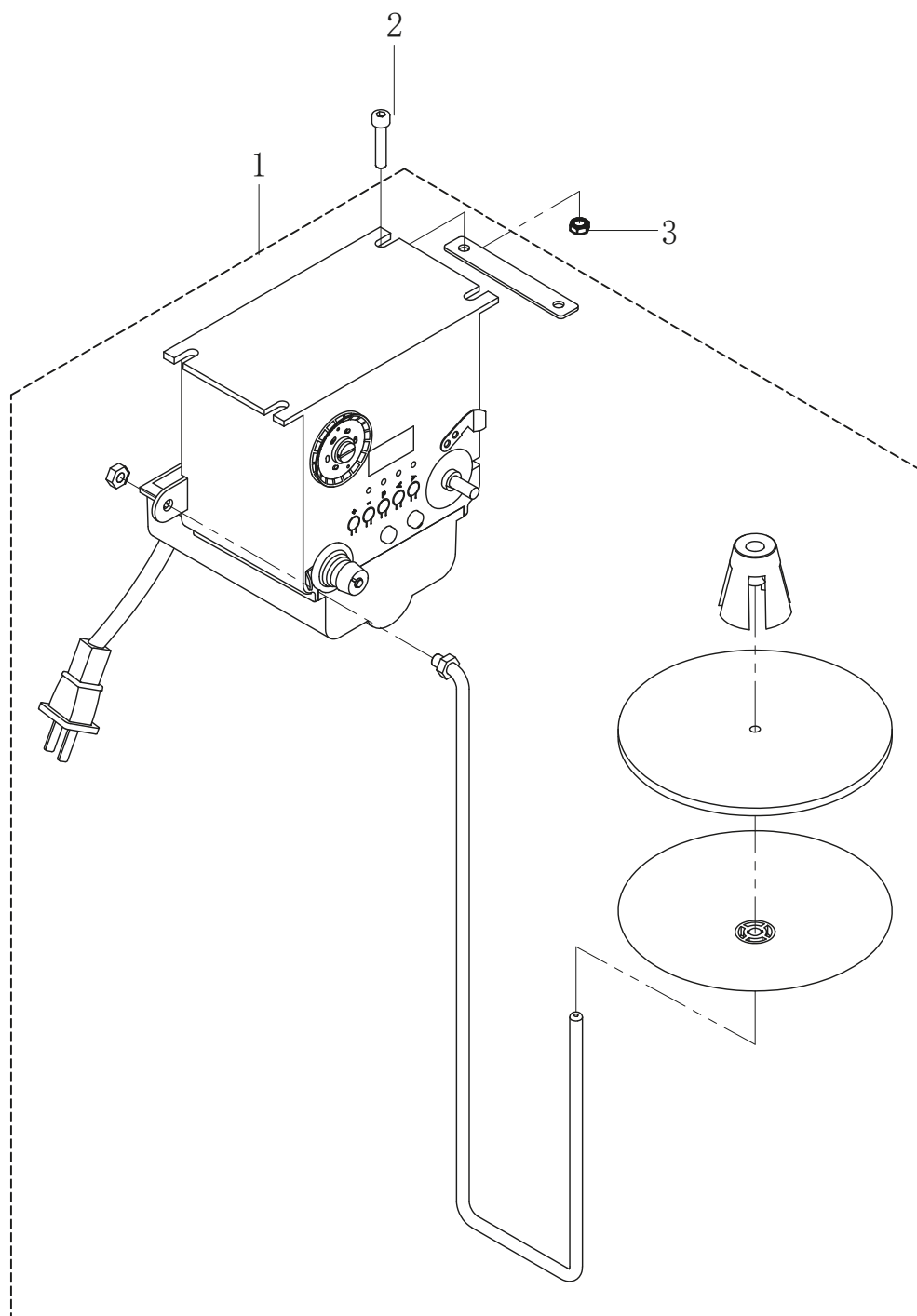
R、机架部件/Table mechanism



R、机架部件/Table mechanism

序号 No.	件号 Part.No.	零部件名称	NAME OF PARTS	数量 Amt.	备注 Remarks
1	930001348	机架组件	Rack components	1	14193217000
2	S05275	螺钉M20×55	Screw M20 x 55	4	
3	930001357	机架后盖板C	Rack back cover C	1	141912302
4	1420NS10003	十字大扁头螺钉M5×25	Cross large flat head screw M5 x 25	8	
5	141912309	机架支紧座	Rack supports	1	
6	701S13002	螺钉M8×12	Screw the M8 x 12	20	
7	930001359	机架前盖C	Rack front cover C	1	141912305
8	141831042	脚垫M20	Mats M20	4	
9	42232502	脚轮	castor	4	
10	930001358	机架侧盖	Frame side cover	2	141912304
11	417S17852	螺钉M5×15	Screw M5 x 15	16	
12	41831016	电控柜合页	Electronic control cabinet hinge	4	
13	41728028	垫圈5	Washer 5	4	
14	407N01001	自锁螺母M5	Self-locking nut M5	8	
15	930001356	电控柜右门	Electric control of right doors	2	141912308
16	142012041	电控门限位板	Electric control threshold plate	4	
17	421S13012	螺钉(带垫圈)M4×10	Screw (with washer)M4 x 10	8	
18	142047002	圆磁铁15	Round magnet 15	4	
19	407S04001	螺钉M4×16	Screw M4 x 16	4	
20	930001396	机架下后盖组件	Under-rack cover assembly	1	14191230300
21	930001399	机架上侧盖一	Rack upper side cover one	1	141932202
22	L02083	螺钉M20×60	Screw M20 x 60	2	
23	1420NS10001	十字大扁头螺钉M5×10	Cross large flat head screw M5 x 10	16	

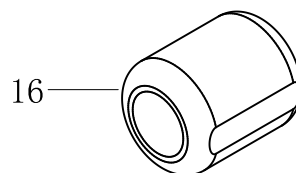
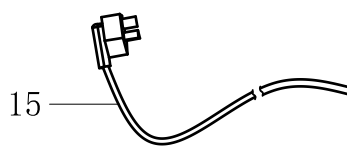
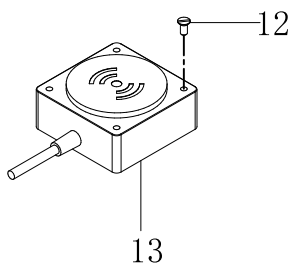
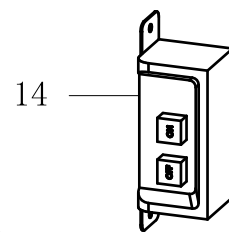
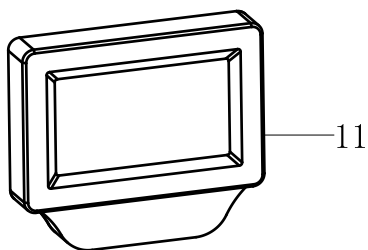
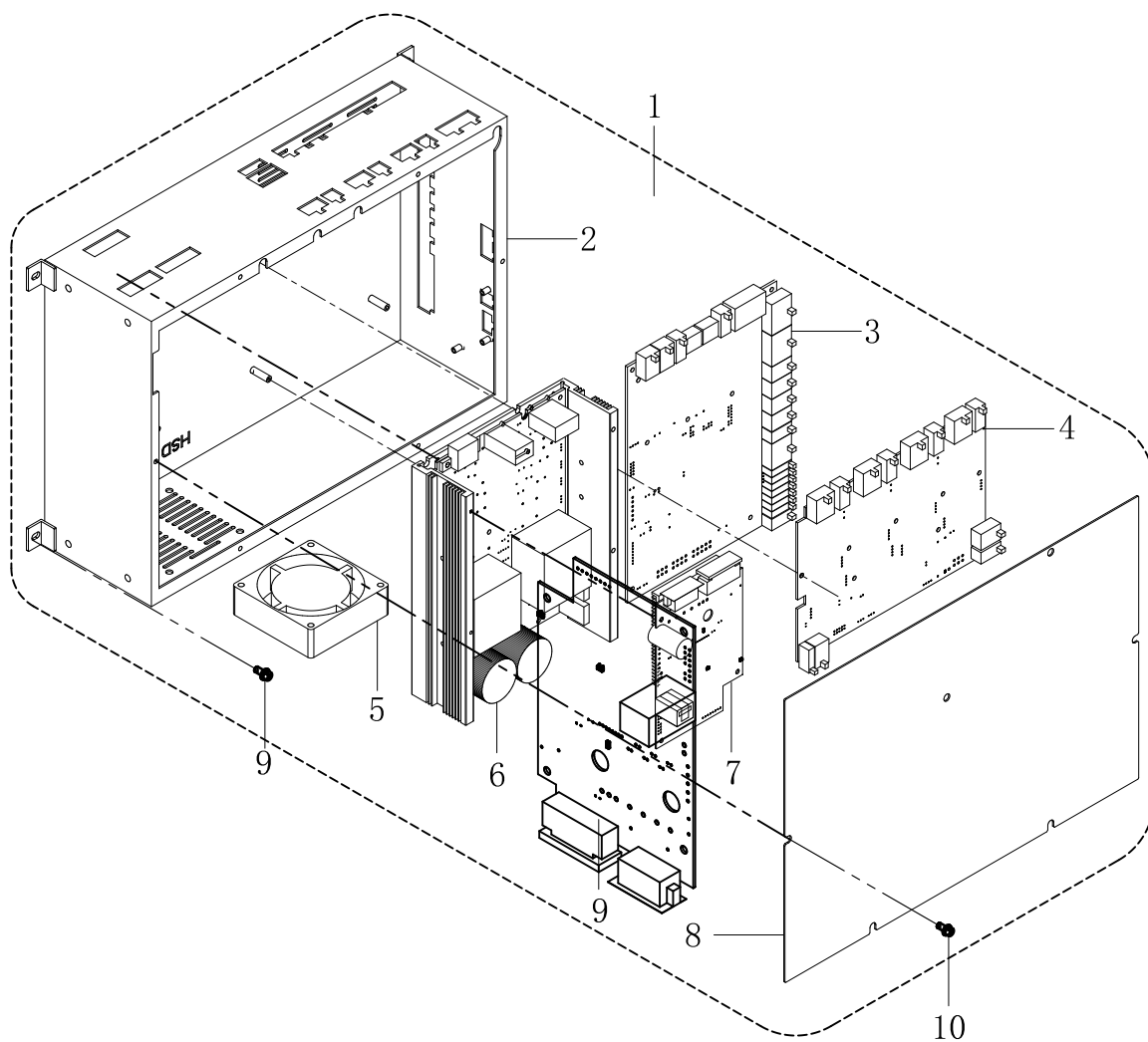
S、 卷线装置 / Bobbin winder mechanism



T1、电控柜装置/ Electric control box mechanism

序号 No.	件号 Part.No.	零部件名称	NAME OF PARTS	数量 Amt.	备注 Remarks
1	41845022	气管接头穿板直通PM8	The air pipe joint goes through PM8	1	
2	41811215	出线口	outlet	1	
3	142511020	线槽5050L200	Trough. 5050-320	1	
4	417S30025	螺栓(带垫圈)M4×10	Bolt (with washer) M4×10	10	

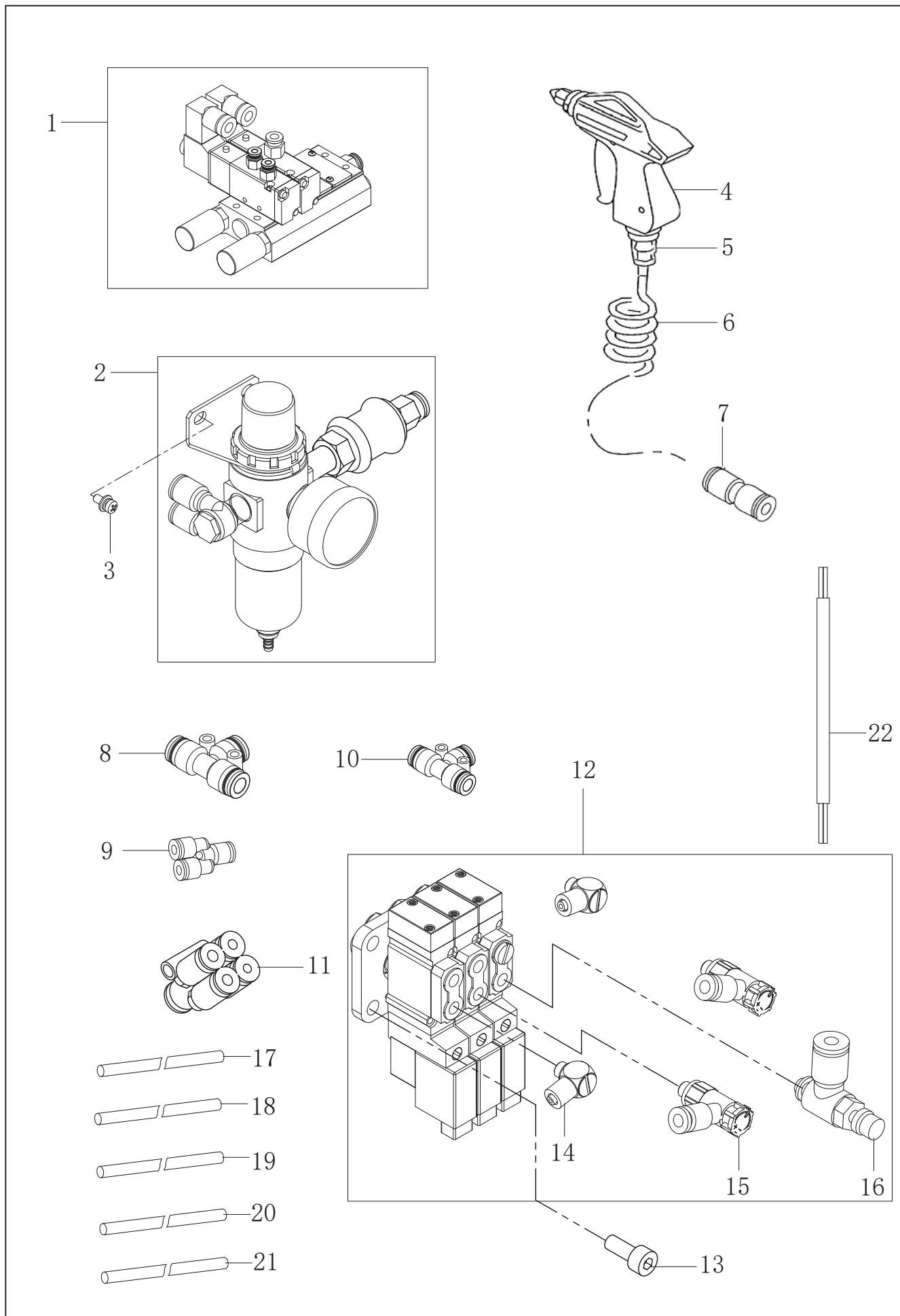
T2、控制箱装置 / Control box mechanism



T2、 控制箱装置 / Control box mechanism

序号 No.	件号 Part. No.	零部件名称	NAME OF PARTS	数量 Amt.	备注 Remarks
1	141930055	星火电控DK05M-J3	Xinghuo electronic control DK05M-J3	1	双丝杆
2	141930021	控制箱体	Control cabinet	1	
3	141930059	DK05款主板	DK05 motherboard	1	双丝杆
4	141930047	二合一低压伺服控制板	Two-in-one low-pressure servo control panel	1	
5	141830022	风扇V2BP	Fan V2BP	1	
6	141930048	集成Y电源板	The power supply board	1	双丝杆
7	141930046	二合一高压伺服驱动板	Two-in-one high-voltage servo drive plate	1	
8	141930026	控制箱盖板	Control box cover plate	1	
9	141930060	单板伺服	Single board servo	1	
10	417S30025	螺钉M4×10	Screw M4×10	6	
11	41830641	显示屏V2CP	Display the V2CP	1	
12	417S30302	螺栓(带垫圈)M4×12DB	Bolt (with washer)M4×12DB	4	
13	142030004	射频装置	Radio frequency device	1	
14	41830213	押扣开关	Press button switch	1	
15	42230512	主电源开关线(6M)	Main power switching wire (6M)	1	
16	141947001	磁环	Magnetic ring	1	

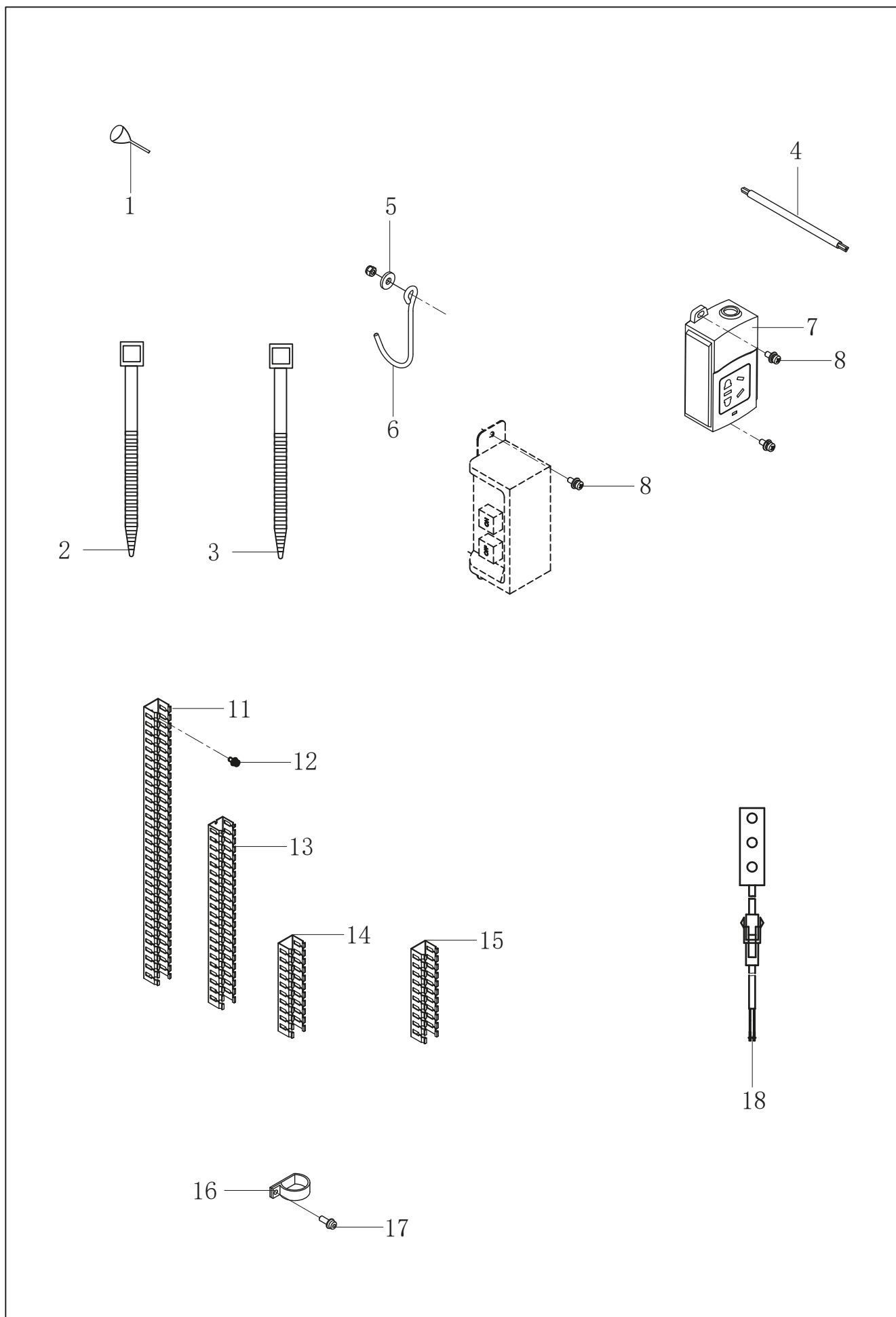
U1、空压装置 / Air pressure mechanism



U1、空压装置/ Air pressure mechanisms

序号 No.	件号 Part.No.	零部件名称	NAME OF PARTS	数量 Amt.	备注 Remarts
1	14194502600	六位四通电磁阀组件	Six-way solenoid valve assembly	1	(普通款)
1	14204501400	六位五通电磁阀组件	Six-bit five-way solenoid valve assembly	1	(点笔)
1	14194501800	六位六通电磁阀组件	Six-bit six-way solenoid valve assembly	1	(激光款)
1	14204501500	八位七通电磁阀组件	Eight-bit seven-way solenoid valve assembly	1	(激光款+点笔)
2	14194502700	气源处理元件组件	Gas source processing component components	1	
3	S05133	螺钉M4×12	Screws M4x12	2	
4	41845220	气枪AG-B	Air gun AG-B	1	
5	40736018	螺纹直通APC6-02	Threads go straight through APC6-02	1	
6	42211540	螺旋气管6×4	Spiral trachea 6x4	1	
7	40736022	气管接头	Tubing fittings	1	
8	141736004	气管接头8-6-8	Tracheal fittings 8-6-8	1	
9	40736036	气管接头APY4 (Y型三通)	Trachea connector API4 (Y-type tee)	2	
10	142045007	气管接头三通6-4-6	Trachea joint tee 6-4-6	1	
11	141930058	气管接头PXG6-4-W	Tracheal fitting PXG6-4-W	1	
12	14194540300	电磁阀组件	Solenoid valve assembly	1	
13	S05133	螺钉M4×12	Screws M4x12	2	
14	42230519	微型接头	Miniature connectors	2	
15	41536009	气管接头	Tubing fittings	2	
16	41845231	接头ASL4-M5	Connector ASL4-M5	1	
17	41845223	气管 φ4×2.5透明蓝	The trachea is 4x2.5 transparent blue	6.5	
18	41845224	气管 φ4×2.5黑色	The trachea is 4x 2.5 black	2	
19	42221503	气管 φ8	Trachea 8	5.3	
20	142045009	气管 φ6×4蓝色	Trachea φ6x4 blue	3	
21	142045023	气管 φ6×4黑色	Trachea φ6x4 black	4	
22	41730022	电磁阀接线	Solenoid valve connection	1	(点笔)
22	41730022	电磁阀接线	Solenoid valve connection	14	(激光款)
22	41730022	电磁阀接线	Solenoid valve connection	15	(激光款+点笔)
23	42128003	垫片	Gasket	2	

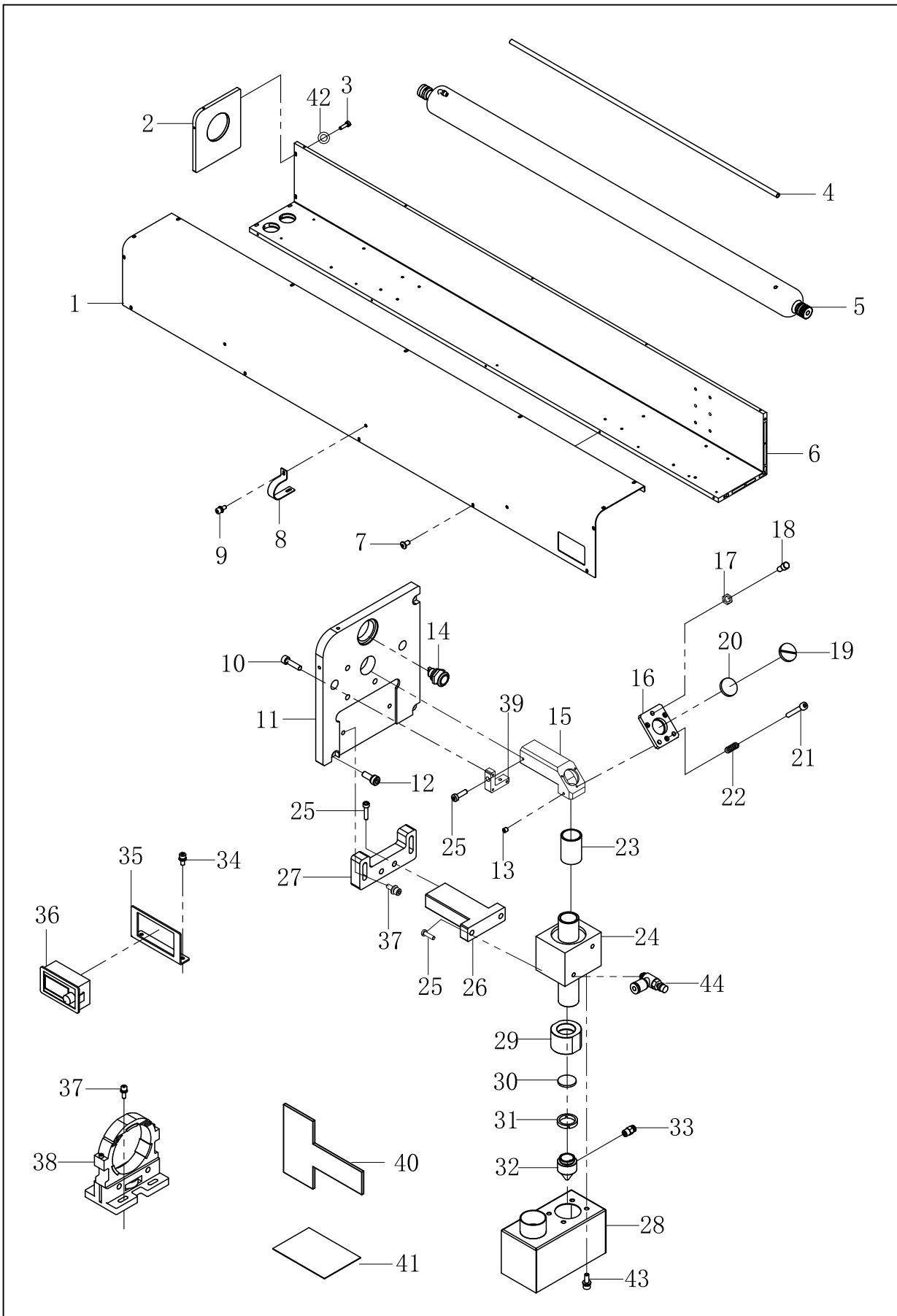
U2、 电器部品装置 / Power supply equipment mechanism



V、底线检测 / Bottom line detection

序号 No.	件号 Part. No.	零部件名称	NAME OF PARTS	数量 Amt.	备注
1	14183000400	底线检测传感器	Bottom line detection sensors	1	
2	W01002	平垫圈3	Flat washer 3	1	
3	421S13012	螺栓(带垫圈)M4×10	Bolt (with washer) M4×10	2	
4	141812028	传感器支架	Sensor holder	1	
5	N08008	螺母M3	Nut M3	1	
6	413S14012	螺钉M3×14	Screws M3×14	3	
7	141921010	铜管	Copper tubes	1	
8	418S30218	螺钉M4×7	Screws M3×14	2	
9	41845224	气管 φ4×2.5黑色	Trachea φ4×2.5 black	0.5	
10	40736036	气管接头APY4(Y型三通)	Tubing fitting APY4 (Y-tee)	1	
11	42130028	反射纸	Reflective paper	40	
12	142018007	两倍底线检测梭芯	Twice bottom line detection of bobbin	5	

X1、激光切割装置 / Laser cutting mechanism



X1、激光切割装置 / Laser cutting mechanism

序号 No.	件号 Part. No.	零部件名称	NAME OF PARTS	数量 Amt.	备注
1	930001425	激光装置上盖F	Upper cover of shell D	1	142012289
2	142042008	腔体后盖板	Chamber rear cover plate	1	
3	S05118	螺钉M4×16	Screw M4×16	3	
4	41822701	水管	Water pipe	8	
5	142030015	激光管	Laser tube	1	
6	142042095	激光腔体底板F	Shell bottom plate F	1	
7	421S10022	螺钉M4×6	Screw M4×6	14	
8	142012220	排烟管夹B	Smoke exhaust pipe clamp B	3	
9	417S30302	螺钉(带垫圈)M4×12	Screw (with washer) M4×12	8	
10	S05026	螺钉M5×20	Screw M5×20	2	
11	142042086	激光装置面板F	Laser device panel F	1	
12	S05124	螺钉M5×16	Screw M5×16	3	
13	S09019	螺钉M5×5	Screw M5×5	3	
14	142030014	点动开关	Inching switch	1	
15	141942024	反射镜安装座	Reflector mounting base	1	
16	142009007	反射镜安装板	Reflector mounting plate	1	
17	1420NS16007	反射镜调节螺母	Mirror adjusting nut	3	
18	1420NS20004	激光调节铜螺钉	Screw	3	
19	142008004	反射镜固定圈	Mirror fixing ring	1	
20	41811631	反射镜	Silicon mirror	1	
21	S05064	螺钉M4×30	Screw M4×30	3	
22	142027002	反射镜弹簧	Mirror spring	3	
23	142042051	光筒B	Light passing cylinder	1	
24	141942025	出光筒安装座	Fixing seat of light output cylinder	1	
25	S05124	螺钉M5×16	Screw M5×16	6	
26	141942026	升降气缸转接座	Lifting cylinder adapter seat	1	
27	142042096	升降气缸安装调节座A	Lifting cylinder mounting adjustment seat A	1	
28	930002017	升降式排烟罩	Lifting hood	1	142012303
29	142042099	升降式聚焦镜固定筒	Lifting focusing mirror fixing cylinder	1	
30	41830701	聚焦镜	Focusing lens	1	
31	142008003	聚焦镜固定圈	Fixed ring of focusing lens	1	
32	142002016	出光口B	Light outlet B	1	
33	41845222	螺纹直通APC4-01	Tube joints APC4-01	1	
34	417S30302	螺钉(带垫圈)M4×12	Screw (with washer) M4×12	2	
35	142012219	电位器安装板B	Potentiometer mounting plate	1	
36	142030011	一体式电位器	Integrated potentiometer	1	
37	421S13059	螺钉(带垫圈)M5×20	Screw (with washer) M5×20	8	
38	142011015	激光管支架80	Laser tube bracket 80	2	
39	142042085	反射镜安装座定位板	Reflector mounting seat positioning plate	1	
40	142012278	镜片螺母拆装板	Lens nut disassembly plate	1	
41	141831047	激光调对中用纸	Laser alignment paper	1	
42	41728028	垫圈5	Gasket 5	3	
43	417S30036	螺钉M5×12(带垫圈)	Screw M5×12 (with washer)	4	
44	41845231	接头ASL4-M5	Connector ASL4-M5	2	

X2、激光切割控制部分 / Laser cutting control part

