

全自动激光开袋机

**Automatic laser pocket-hole
Sewing machine**

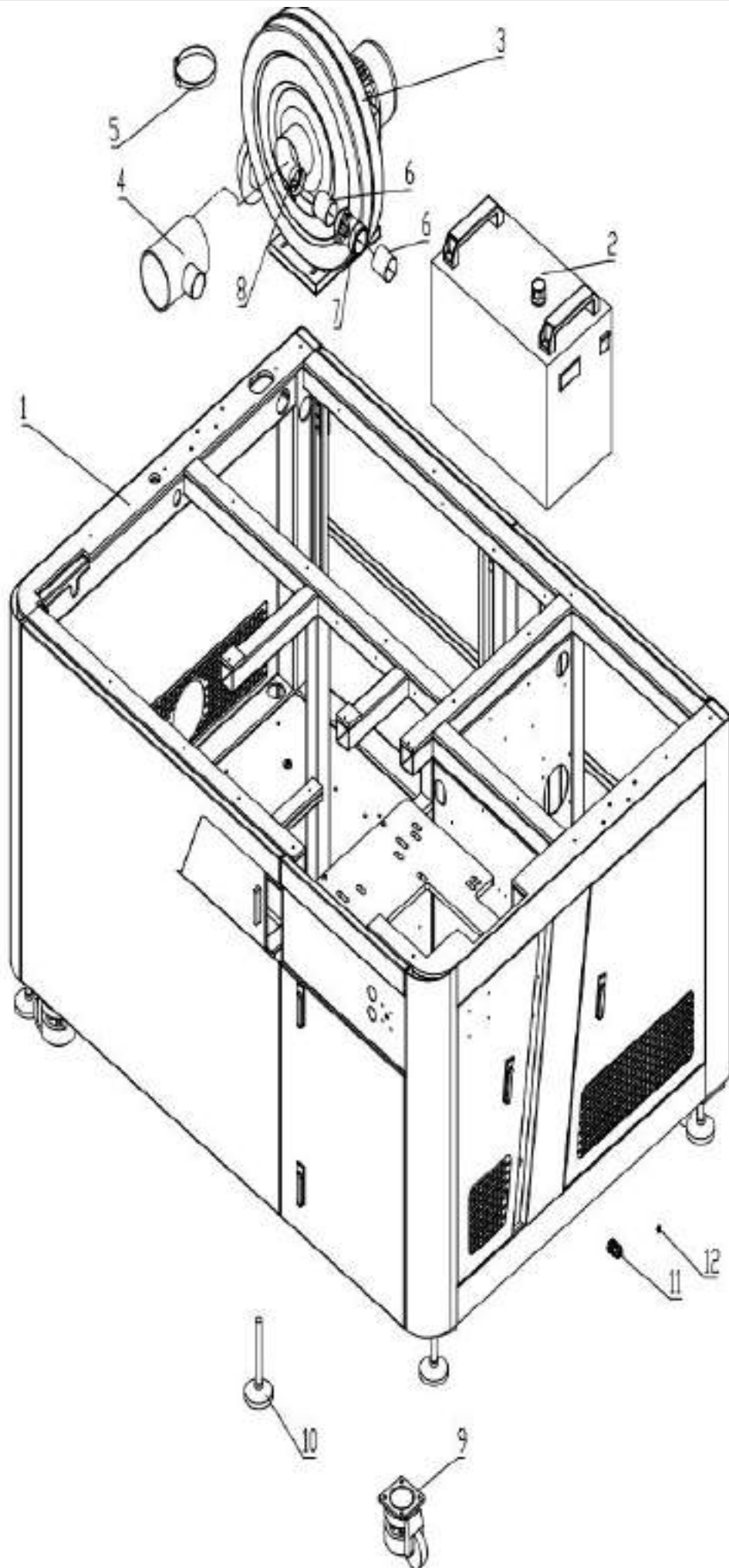
说明书及零件手册

Instruction manual and parts manual

目录/CONTENTS

01-机架及其附件部件	_____
02-台板组装部件	_____
03-丝杠龙门架部件	_____
04-托盘驱动部件	_____
05-托盘夹持部件	_____
06-压框驱动部件	_____
07-压框部件一	_____
08-压框部件二	_____
09-压框部件三	_____
10-压框部件四	_____
11-折布升降座及激光升降头部件	_____
12-左右折布部件	_____
13-前后折布部件	_____
14-中间升降台部件	_____
15-袋布兜料部件	_____
16-档袋唇部件	_____
17-显示屏及按键急停部件	_____
18-料斗部件	_____
19-激光管及反射镜部件	_____
20-机头部件	_____
21-上罩壳部件	_____
22-气路部件	_____
23-电控箱部件	_____
24-附件箱部件	_____

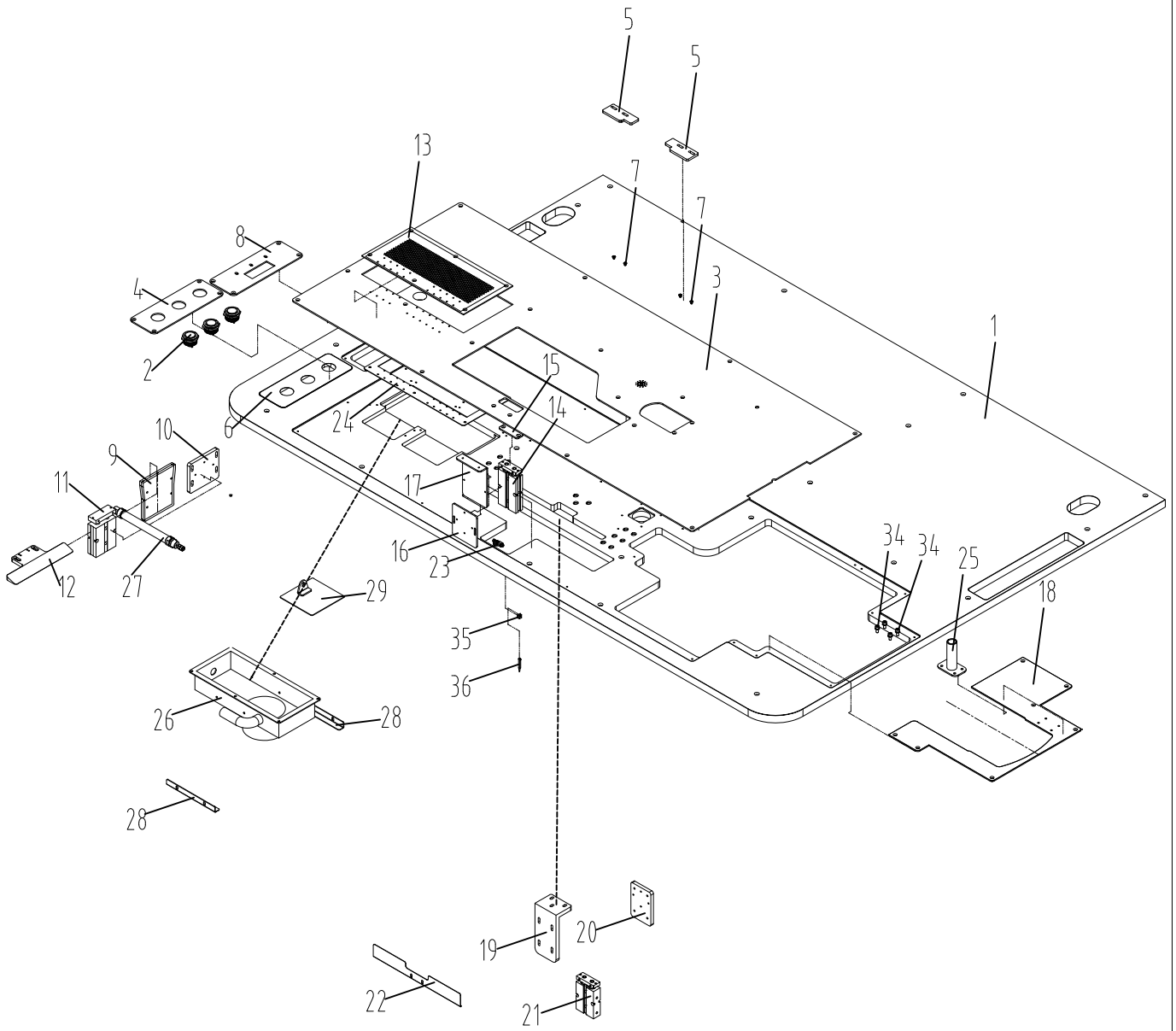
01. 机架及其附件部/Rack and its accessories department



01.机架及其附件/Rack and its accessories department

序号 NO	件号	零部件名称	NAME OF PARTS	数量	备注
1	21013202500	机架及其附件	Racks and their accessories	1	
2	210130002	水箱	water tank	1	
3	210133001	离心式中压风机1.1KW	Centrifugal medium-pressure blower 1.1KW	1	
4	210145045	三通管110-50	Tee pipe 110-50	1	
5	210108017	不锈钢抱箍46-70	Stainless steel hoop 46-70	2	
6	210153006	排水管外径 \varnothing 110	Outer diameter of the drain pipe: \varnothing 110	1	
7	210144009	吸风管内径 \varnothing 110	Inner diameter of the air suction pipe: \varnothing 110	1	
8	210153005	PVC排水管外径50	Outer diameter of PVC drain pipe: 50	2	
9	210132007	底脚轮80F	Foot caster 80F	4	
10	210131010	地脚垫D80x16x150	Anchor pad D80x16x150	6	
11	210145074	气管护套ZIL03-M18-B	Air pipe sheath ZIL03-M18-B	1	
12	210144019	橡胶护线圈 (内径8)	Rubber grommet (inner diameter 8)	1	
13					
14					
15					
16					
17					
18					
19					

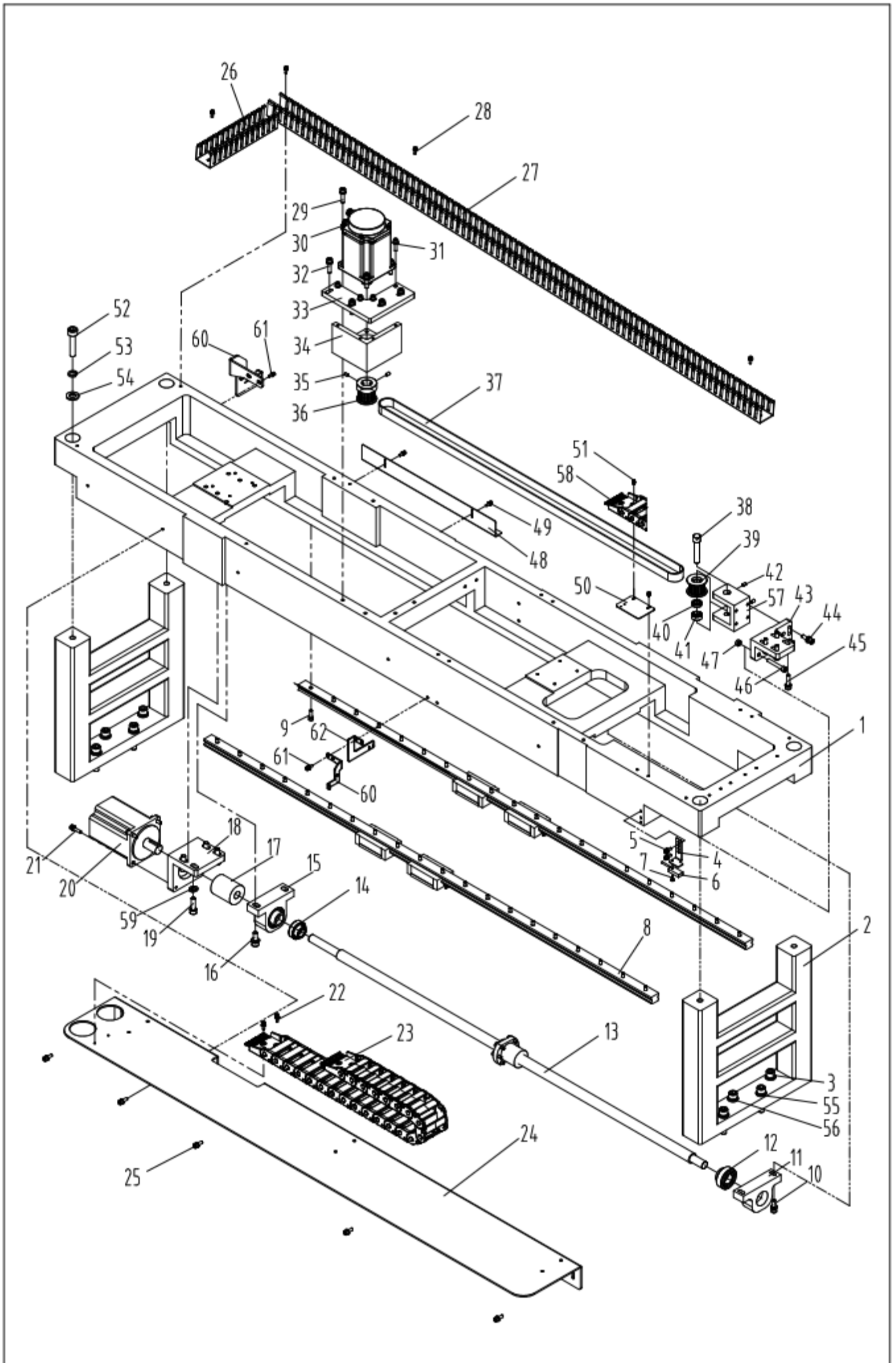
02. 台板部件/Tabletop Components



02.台板组装部件/Tabletop Components

序号 NO	件号	零部件名称	NAME OF PARTS	数量	备注
1	210132047	台板	platen	1	
2	210130001	30自复按钮蓝光	30 self-resetting button with blue light	3	
3	210112192	大不锈钢台面板	Large stainless steel table top	1	
4	210112020	不锈钢按键固定板	Stainless steel key fixing plate	1	
5	210109073	下托板限位板	Lower pallet limiting plate	2	
6	210137028	不锈钢按键标签	Stainless steel key label	1	
7	403S30014	十字槽盘头自攻螺钉	Cross recessed pan head self-tapping screw	4	
8	210112194	开袋机压料固定板	Bag opening machine material pressing fixing plate	1	
9	210109205	压料气缸调节座(J6)	Material pressing cylinder adjusting seat (J6)	1	
10	210109204	压料气缸固定板(J6)	Material pressing cylinder fixing plate (J6)	1	
11	210145048	双杆气缸TN20X20S	Double-rod cylinder TN20X20S	1	
12	210154026	限位压板压块	Limiting pressure plate pressing block	1	
13	210112162	升降托盘台板内板	Lifting pallet table inner plate	1	
14	210145079	托板气缸TN16X35S	Pallet cylinder TN16X35S	1	
15	210112196	托板支撑板	Pallet support plate	1	
16	210112198	TN1635气缸转接板	TN1635 cylinder adapter plate	1	
17	210112200	TN1635气缸安装板	TN1635 cylinder mounting plate	1	
18	210112015	不锈钢机头后台板面	Stainless steel machine head back panel	1	
19	210132041	双轴气缸调节支架	Dual-axis cylinder adjusting bracket	1	
20	210132042	双轴气缸背板	Dual-axis cylinder back plate	1	
21	210145073	插刀气缸TN16X15S	Knife - inserting cylinder TN16X15S	1	
22	210112160	袋布插刀	Bag cloth inserting knife	1	
23		gb_part.prt.dot		2	
24	210112166	内框垫片	Inner frame gasket	1	
25	210112129	线架固定架组件	Wire rack fixing bracket assembly	1	
26	21011210200	吸风罩壳	suction hood shell	1	
27	210145047	气缸MAL16X100U	Cylinder MAL16X100U	1	
28	210112104	挡板	baffle	2	
29	21011210300	堵风板	wind baffle	1	
34		紧固组件	fastening components		
35	210109074	感应器夹座	Sensor holder	1	
36	210130031	感应器A05-DMSG-020	Sensor A05-DMSG-020	1	

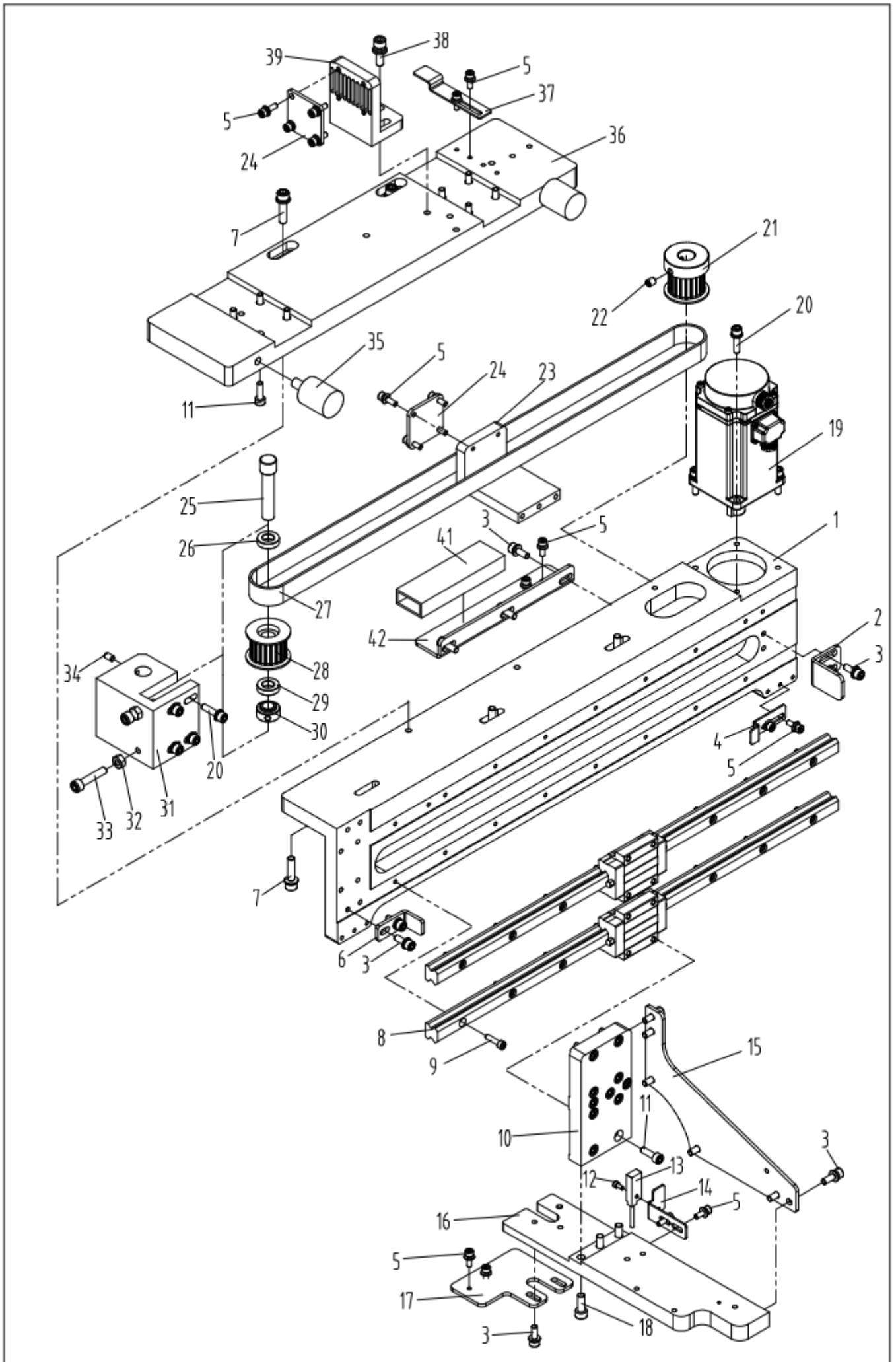
03. 丝杆龙门架部件/Screw rod gantry frame components



03.丝杠龙门架部件/Screw rod gantry frame components

序号 NO	件号	零部件名称	NAME OF PARTS	数量	备注
1	210109173	开袋机上横梁(J6)	Upper crossbeam (J6) on the bag opening machine	1	
2	210101003	左登高座新	New left climbing seat	2	
3	701S13011	内六角螺钉M10X45	Hexagon socket head cap screw M10X45	8	
4	210112155	上托板感应器支架	Sensor bracket of the upper supporting plate	1	
5	417S30302	内六角圆柱头螺钉	Hexagon socket cylindrical head screw	2	
6	210130018	传感器APS412S-E	Sensor APS412S-E	1	
7	S05402	内六角圆柱头螺钉M3×6	Hexagon socket cylindrical head screw M3×6	1	
8	210108030	龙门导轨组件QE20CA	Gantry guide rail assembly QE20CA	2	
9	S05124	螺钉M5×16(滚花)	Screw M5×16 (knurled)	46	
10	417S30304	内六角圆柱头螺钉	Hexagon socket head cap screw	2	
11	210109003	X丝杆轴承座	X screw rod bearing block	1	
12	210124002	轴承S6004RS	Bearing S6004RS	2	
13	210102007	X向丝杆组件	X-axis lead screw assembly	1	
14	210124002	轴承S6004RS	Bearing S6004RS		
15	210109004	X轴承座6004	X bearing housing 6004	1	
16	421S13018	螺钉M8×20(带垫)	Screw M8×20 (with washer)	2	
17	210103002	联轴器	Coupling	1	
18	210109007	龙门丝杠电机座	Gantry lead screw motor base	1	
19	S05024	内六角圆柱头螺钉M8×25	Hexagon socket head cap screw M8×25	4	
20	210133006	电机750W (汇川)	Motor 750W (Inovance)	1	
21	421S13059	螺钉M5×20(带垫)	Screw M5×20 (with washer)	4	
22	417S30302	内六角圆柱头螺钉	Hexagon socket head cap screw	2	
23	210144005	坦克链18×50-41节2头	Tank chain 18×50 - 41 sections, 2 ends	1	
24	210112027	X向坦克链支撑板	X-direction tank chain support plate	1	
25	421S13028	螺钉M5×14(带垫)	Screw M5×14 (with washer)	5	
26	210153053	线槽5050	Trunking 5050	1.7M	
27	210153053	线槽5050	Trunking 5050	0.3M	
28	421S13028	螺钉M5×14(带垫)	Screw M5×14 (with washer)	5	
29	421S13036	螺钉M6×25(带垫)	Screw M6×25 (with washer)	4	
30	210133011	托盘X向电机 (1000W)	Tray X-direction motor (1000W)	1	
31	421S13059	螺钉M5×20(带垫)	Screw M5×20 (with washer)	4	
32	421S13036	螺钉M6×25(带垫)	Screw M6×25 (with washer)	4	
33	210109161	电机固定底块	Motor fixing base block	1	
34	210109162	电机固定块	Motor fixing block	1	
35	403S14008	内六角平端紧定螺钉	Hexagon socket flat end set screw	2	
36	210135003	主动轮20-5M (内孔19)	Drive pulley 20-5M (bore 19)	1	
37	210135004	AB轴同步带(18)	AB axis timing belt (18)	1	
38	210109184	从动轮芯轴(J6)	Driven pulley mandrel (J6)	1	
39	210135001	从动轮20-5M-Φ10	Driven pulley 20-5M-Φ10	1	
40	210124005	轴承6800	Bearing 6800	2	
41	210109087	一眼挡圈	One-eye retainer ring	1	
42	403S14008	内六角平端紧定螺钉	Hexagon socket flat end set screw	2	
43	210109159	从动带轮固定底块	Driven pulley fixing base block	1	
44	417S30304	内六角圆柱头螺钉	Hexagon socket head cap screw	4	
45	421S13036	螺钉M6×25(带垫)	Screw M6×25 (with washer)	4	
46	S05073	内六角螺钉M6X40	Hexagon socket screw M6X40	2	
47	701S16017	六角螺母M6	Hex nut M6	2	
48	210112093	X轴感应片7代	X-axis sensing piece Generation 7	1	
49	417S30302	内六角圆柱头螺钉	Hexagon socket head cap screw	2	
50	210112156	上托板左右坦克链固定板	Left and right drag chain fixing plates of the upper supporting plate	1	
51	417S30037	内六角圆柱头螺钉	Hexagon socket head cap screw	2	
52	S050051	内六角螺钉M12X50	Hexagon socket screw M12X50	4	
53	W02862	M12弹簧垫片	M12 spring washer	4	
54	W01016	垫片13×24×2.5	Gasket 13×24×2.5	4	
55	W02861	M10弹簧垫片	M10 spring washer	8	
56	W01018	垫片M10	Gasket M10	8	
57	210109160	从动带轮固定块	Driven pulley fixing block	1	
58	210111004	坦克链18x25(16节+2接头)	Drag chain 18x25 (16 sections + 2 connectors)	1	
59	W01010	垫片M8(普通)	Gasket M8 (ordinary)	4	
60	210112161	取料托板固定架	Picking pallet fixing frame	1	
61	421S13028	螺钉M5×14(带垫)	Screw M5×14 (with washer)	2	
62	210112032	取料固定支架	Picking fixed bracket	1	

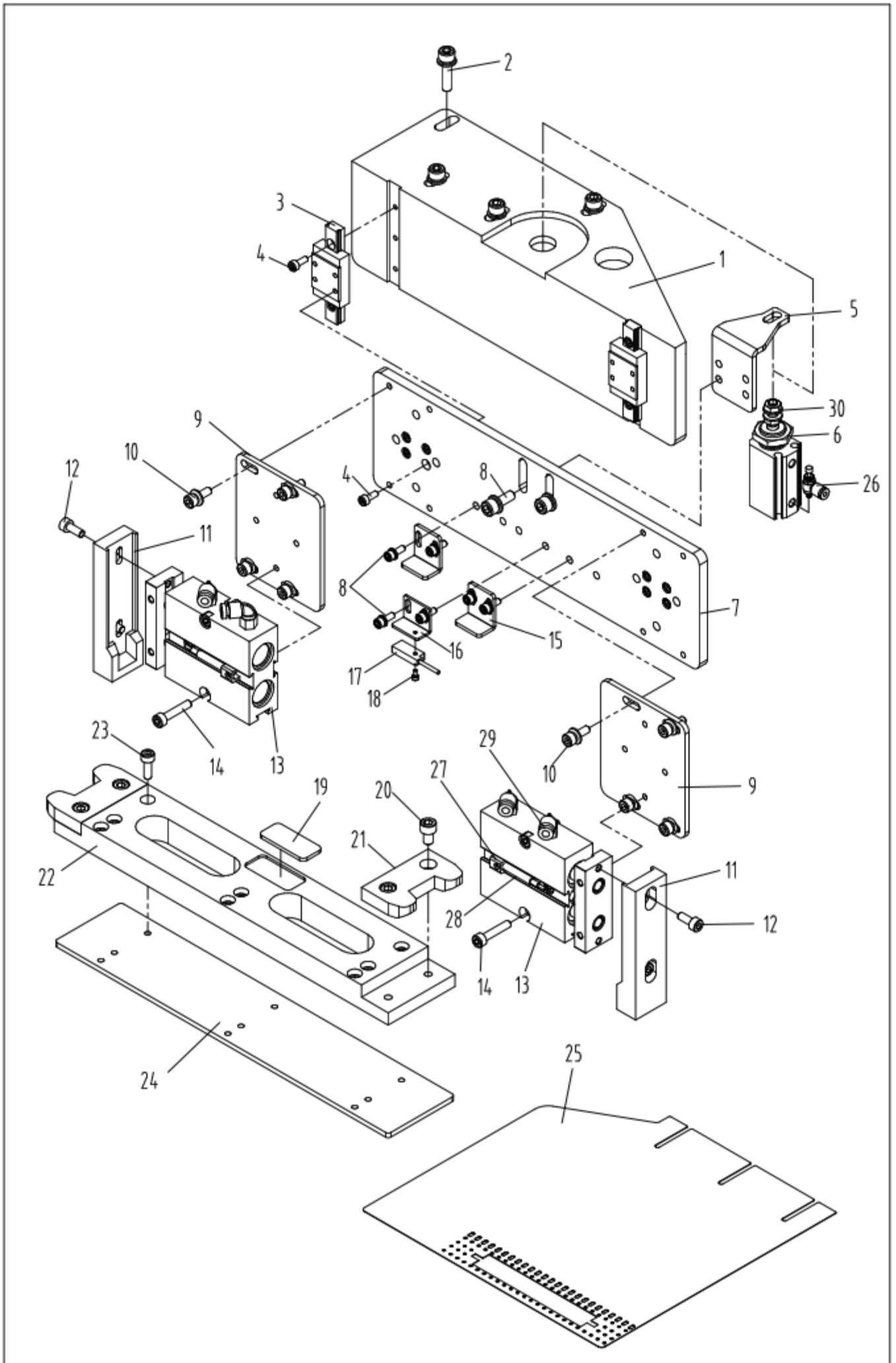
04. 托盘驱动部/Tray Drive Unit



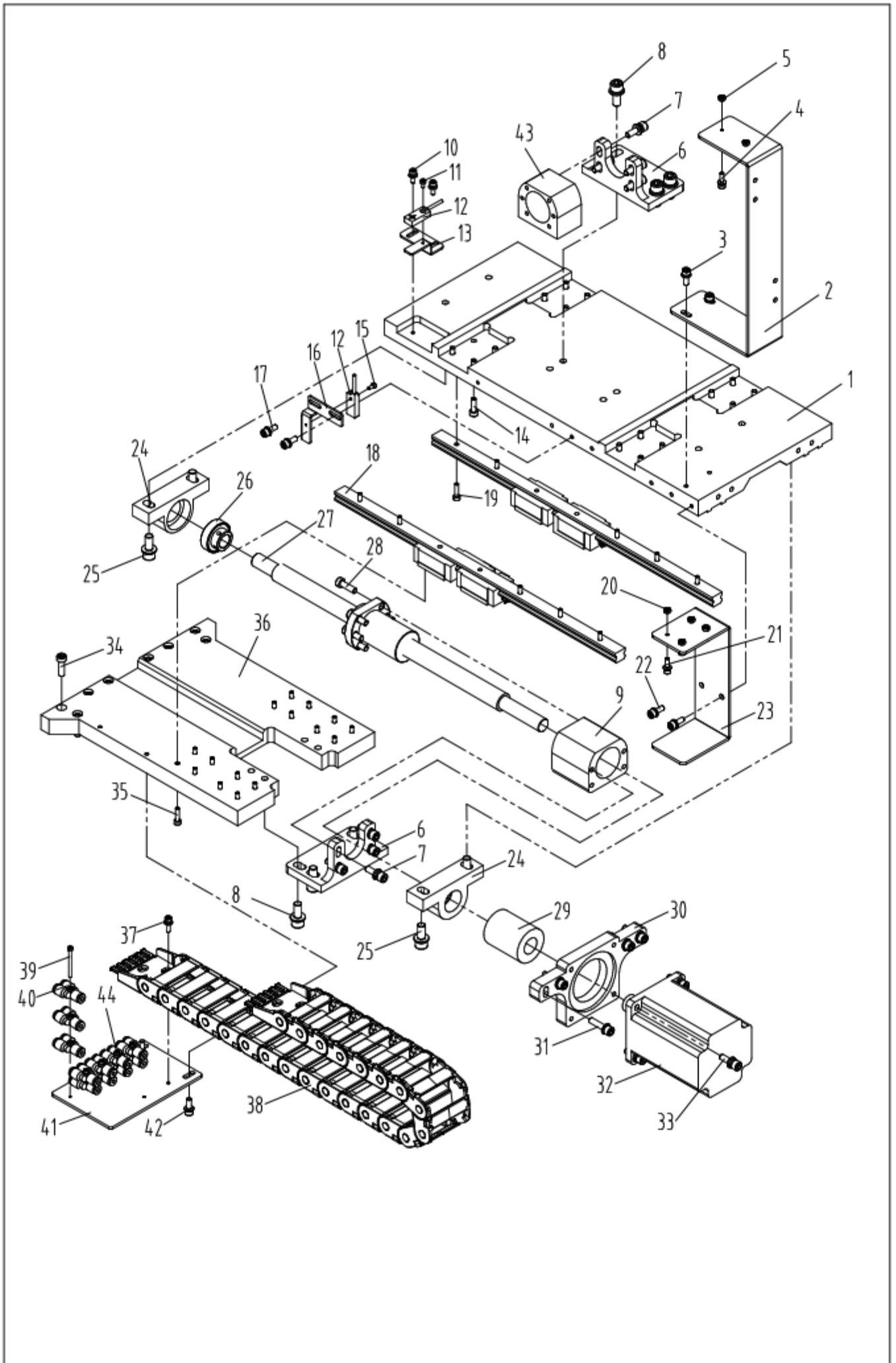
04.托盘驱动部件/Tray Drive Unit

序号 NO	件号	零部件名称	NAME OF PARTS	数量	备注
1	210109194	上拖板固定竖板	Vertical fixing plate of the upper supporting plate	1	
2	210112095	导轨挡片	Verti guide rail baffle	1	
3	421S13028	螺钉M5×14(带垫)	Screw M5×14 (with washer)	15	
4	210112151	托盘前后感应器片	Tray front and rear sensor pieces	1	
5	417S30302	内六角圆柱头螺钉	Hexagon socket head cap screw	16	
7	421S13036	螺钉M6×25(带垫)	Screw M6×25 (with washer)	5	
8	210101008	上托板前后导轨	Front and rear guide rails of the upper supporting plate	2	
9	S05118	内六角螺钉M4×16(滚花)	Hexagon socket screw M4×16	16	
10	210109178	上托板滑块固定板A	Upper supporting plate slider fixing plate A	1	
11	S05124	螺钉M5×16(滚花)	Screw M5×16 (knurled)	19	
12	S05402	内六角圆柱头螺钉M3×6	Hexagon socket head cap screw M3×6	1	
13	210130018	传感器APS412S-E	Sensor APS412S-E	1	
14	210112155	上托板感应器支架	Upper supporting plate sensor bracket	1	
15	210112094	上托板肋板	Upper supporting plate rib plate	1	
16	210109179	上托板滑块固定板B	Upper supporting plate slider fixing plate B	1	
17	210112142	上托板坦克链固定板	Tank chain fixing plate of the upper supporting plate	1	
18	S05040	螺钉 M6×16(8.8级镀锌)(进口)	Screw M6×16	3	
19	210133010	迪维讯电机(600W)	Diversion Motor (600W)	1	
20	421S13059	螺钉M5×20(带垫)	Screw M5×20 (with washer)	8	
21	210135002	主动轮20-5M-Φ14	Driving wheel 20-5M-Φ14	1	
22	403S14008	内六角平端紧定螺钉	Hexagon socket flat end set screw	2	
23	210109180	上托板升降气缸固定板	Fixing plate for the lifting cylinder of the upper supporting plate	1	
24	210112078	压板固定板	Press plate fixing plate	2	
25	210109184	从动轮芯轴(J6)	Driven wheel mandrel (J6)	1	
26	210124005	轴承6800	Bearing 6800	2	
27	210135004	AB轴同步带(18)	AB axis timing belt (18)	1	
28	210135001	从动轮20-5M-Φ10	Driven wheel 20-5M-Φ10	1	
30	210109087	一眼挡圈	One-eye retaining ring	1	
31	210109182	从带轮座(J6)	From the pulley seat (J6)	1	
32	701S16017	六角螺母M6	Hexagon nut M6	2	
33	S05072	螺钉M6×30	Screw M6×30	2	
34	403S14008	内六角平端紧定螺钉	Hexagon socket flat end set screw	2	
35	210111003	聚氨酯包脚螺栓	Polyurethane covered foot bolt	2	
36	210109176	拖板固定板上	On the carriage fixing plate	1	
37	210112138	托盘左右感应器片	Tray left and right sensor plates	1	
38	417S30304	内六角圆柱头螺钉	Hexagon socket cylindrical head screw	3	
39	210109183	同步带固定夹块	Timing belt fixing clamp block	1	
41	210101009	坦克链18x25(14节)	Tank chain 18x25 (14 sections)	1	
42	210112141	拖链板	Drag chain plate	1	

05. 托盘夹持部件/Tray Holding Part



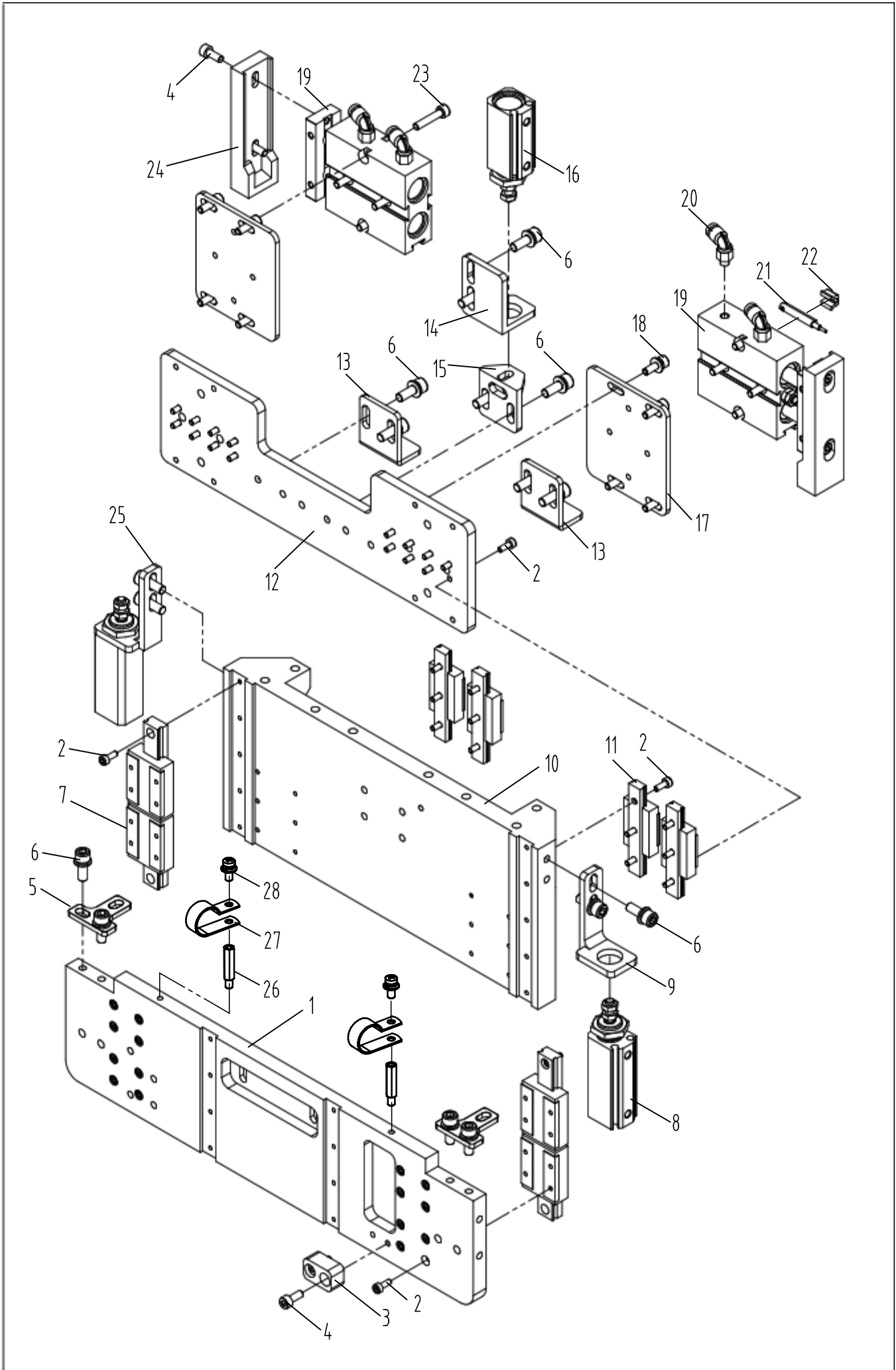
06. 压框驱动部件/Compression frame driving component



06.压框驱动部件/Compression frame driving component

序号 NO	件号	零部件名称	NAME OF PARTS	数量	备注
1	210109001	缝Y导轨板丝杆	Sewing Y guide rail plate screw rod	1	
2	210112028	X向坦克链支架A	X-direction drag chain bracket A	1	
3	421S13028	螺钉M5×14(带垫)	Screw M5×14 (with washer)	4	
4	417S30034	内六角圆柱头螺钉	Hexagon socket cylindrical head screw	1	
5	N01024	螺母	Nut	8	
6	210109005	丝杆连接座	Screw rod connecting base	2	
7	417S30304	内六角圆柱头螺钉	Hexagon socket cylindrical head screw	8	
8	421S13018	螺钉M8×20(带垫)	Screw M8×20 (with washer)	10	
9	210109008	Y丝杆轴承座	Y screw bearing seat	1	
10	417S30302	内六角圆柱头螺钉	Hexagon socket cylinder head screw	2	
11	S05402	内六角圆柱头螺钉M3×6	Hexagon socket head cap screw M3×6	1	
12	210130018	传感器APS412S-E	Sensor APS412S-E	2	
13	210112034	感应器架A	Inductor holder A	1	
14	S05124	螺钉M5×16(滚花)	Screw M5×16 (knurled)	12	
15	S05402	内六角圆柱头螺钉M3×6	Hexagon socket head cap screw M3×6	1	
16	210112033	感应器架	Inductor holder	1	
17	421S13028	螺钉M5×14(带垫)	Screw M5×14 (with washer)	2	
18	210108002	导轨双滑块组件15x420	Guide rail double slider assembly 15x420	2	
19	S05118	内六角螺钉M4×16(滚花)	Hexagon socket screw M4×16 (knurled)	14	
20	S05124	螺钉M5×16(滚花)	Screw M5×16 (knurled)	4	
21	417S30034	内六角圆柱头螺钉	hexagon socket head cap screw	4	
22	421S13028	螺钉M5×14(带垫)	Screw M5×14 (with washer)	2	
23	210112029	接料坦克链支架B	Material receiving tank chain bracket B	1	
24	210109010	Y轴承座	Y-bearing housing	2	
25	421S13018	螺钉M8×20(带垫)	Screw M8×20 (with washer)	2	
26	210124003	轴承S6003RS	Bearing S6003RS	2	
27	210102006	压框驱动丝杆	Press frame drive screw rod	1	
28	S05071	内六角圆柱头螺钉M6×20	Hexagon socket head cap screw M6×20	6	
29	210103002	联轴器	coupling	1	
30	210109009	台达Y伺服电机板	Delta Y servo motor board	1	
31	421S13036	螺钉M6×25(带垫)	Screw M6×25 (with washer)	4	
32	210133006	电机750W (汇川)	750W motor (Inovance)	1	
33	417S30304	内六角圆柱头螺钉	hexagon socket head cap screw	4	
34	S05071	内六角圆柱头螺钉M6×20	Hexagon socket head cap screw M6×20	8	
35	S05118	内六角螺钉M4×16(滚花)	Hexagon socket screw M4×16 (knurled)	16	
36	210109002	Y滑台板	Y sliding table plate	1	
37	417S30034	内六角圆柱头螺钉	hexagon socket head cap screw	2	
38	210144006	坦克链18×50-18节1头	Tank chain 18×50 - 18 sections 1 head	1	
39	S05407	内六角螺钉M3×35	Hexagon socket screw M3×35	1	
40	210145017	Y型三通PY4	Y-type tee PY4	11	
41	210112030	三通固定板	Tee fixing plate	1	
42	421S13028	螺钉M5×14(带垫)	Screw M5×14 (with washer)	2	
43	210109006	开袋机丝杆轴承座	Bag opening machine screw rod bearing housing	1	
44	S05405	内六角螺钉M3×25	Hexagon socket screw M3×25	4	

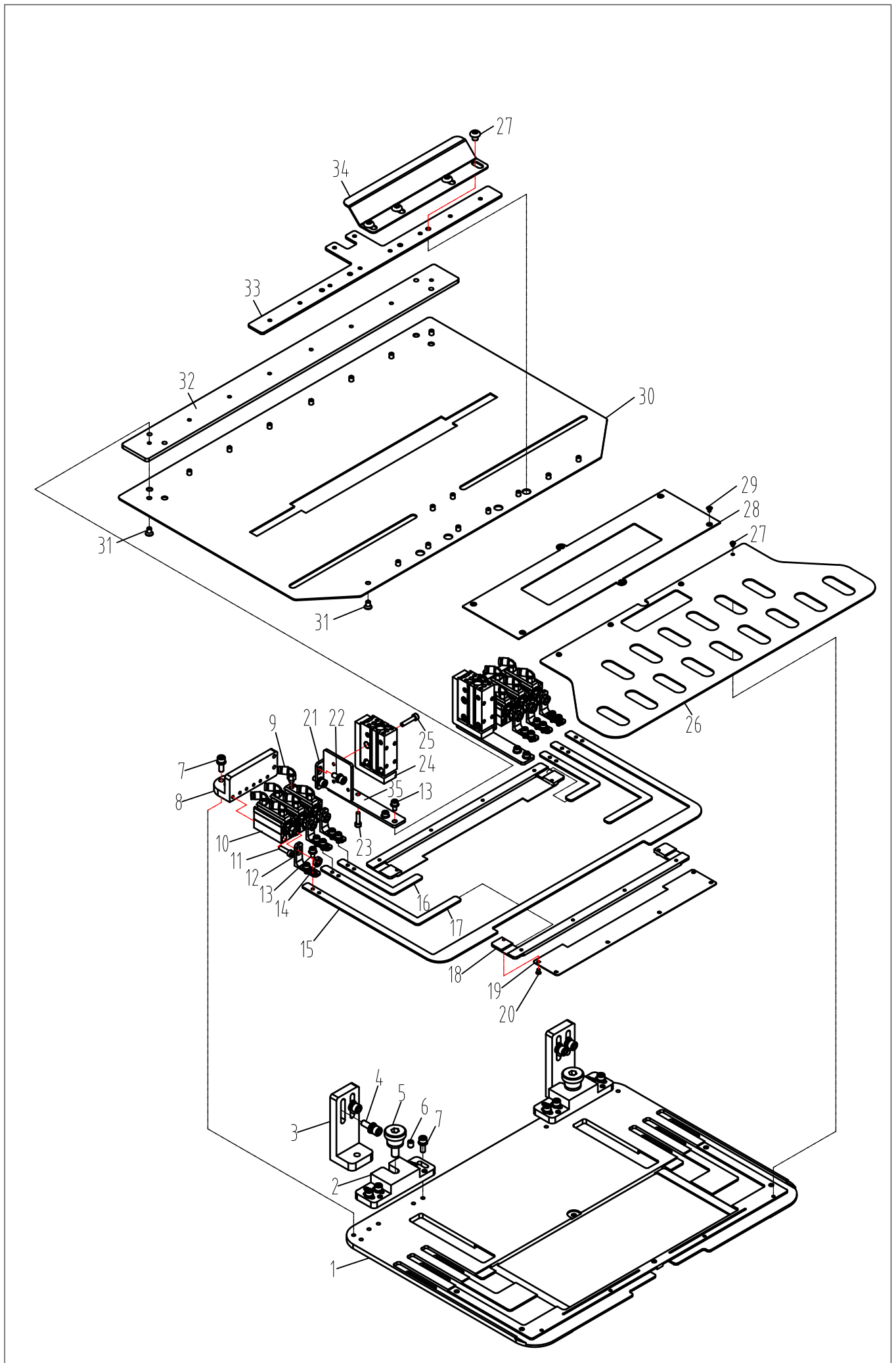
07. 压框部件一/Compression frame component one



07.压框部件一/Compression frame component one

序号 NO	件号	零部件名称	NAME OF PARTS	数量	备注
1	210109036	压框导轨板	Press frame guide rail plate	1	
2	S05094	内六角螺钉M3×8	Hexagon socket screw M3×8	38	
3	210109038	内压框挡块	Inner pressure frame stopper	1	
4	S05058	内六角圆柱头螺钉M4×10	Hexagon socket head cap screw M4×10	6	
5	210112048	外压框升降板	Outer pressure frame lifting plate	2	
6	421S13028	螺钉M5×14(带垫)	Screw M5×14 (with washer)	16	
7	210108005	导轨双滑块组件12X110	Guide rail double slider assembly 12X110	2	
8	210145024	气缸MPG16X30S	Cylinder MPG16X30S	2	
9	210112046	外压框气缸座右	Right side of the outer pressure frame cylinder block	1	
10	210109035	缝Y滑台骨架	Sewing Y sliding table framework	1	
11	210108003	导轨组件9×60	Guide rail assembly 9×60	4	
12	210109070	下托板卡板座	Lower supporting plate clamping plate seat	1	
13	210112066	下托板限位座	Lower supporting plate limiting seat	2	
14	210112049	内框气缸座左	Left inner frame cylinder seat	1	
15	210109071	下托板升降座	Lower supporting plate lifting seat	1	
16	210145064	气缸MPG16X20S	Cylinder MPG16X20S	1	
17	210112065	气缸转接板	Cylinder adapter plate	2	
18	417S30302	内六角圆柱头螺钉	Hexagon socket head cap screw	8	
19	210145037	气缸TN16X10S	Cylinder TN16X10S	2	
20	210145069	螺纹弯接头 APL-402	Threaded elbow APL-402	4	
21	210130031	感应器A05-DMSG-020	Sensor A05-DMSG-020	2	
22	210109074	感应器夹座	Sensor holder	2	
23	S05970	内六角圆柱头螺钉M4×20	Hexagon socket head cap screw M4×20	8	
24	210109072	下托板锁扣A	Lower supporting plate lock catch A	2	
25	210112047	外压框气缸座左	Left cylinder seat of the outer pressure frame	1	
26	52000329	六角铜柱M4×20x6	Hexagonal copper pillar M4×20x6	2	
27	41711017	电线夹16	Wire clamp 16	2	
28	417S30025	十字盘头螺钉M4×10DB(带垫圈)	Cross pan head screw M4×10DB (with washer)	2	

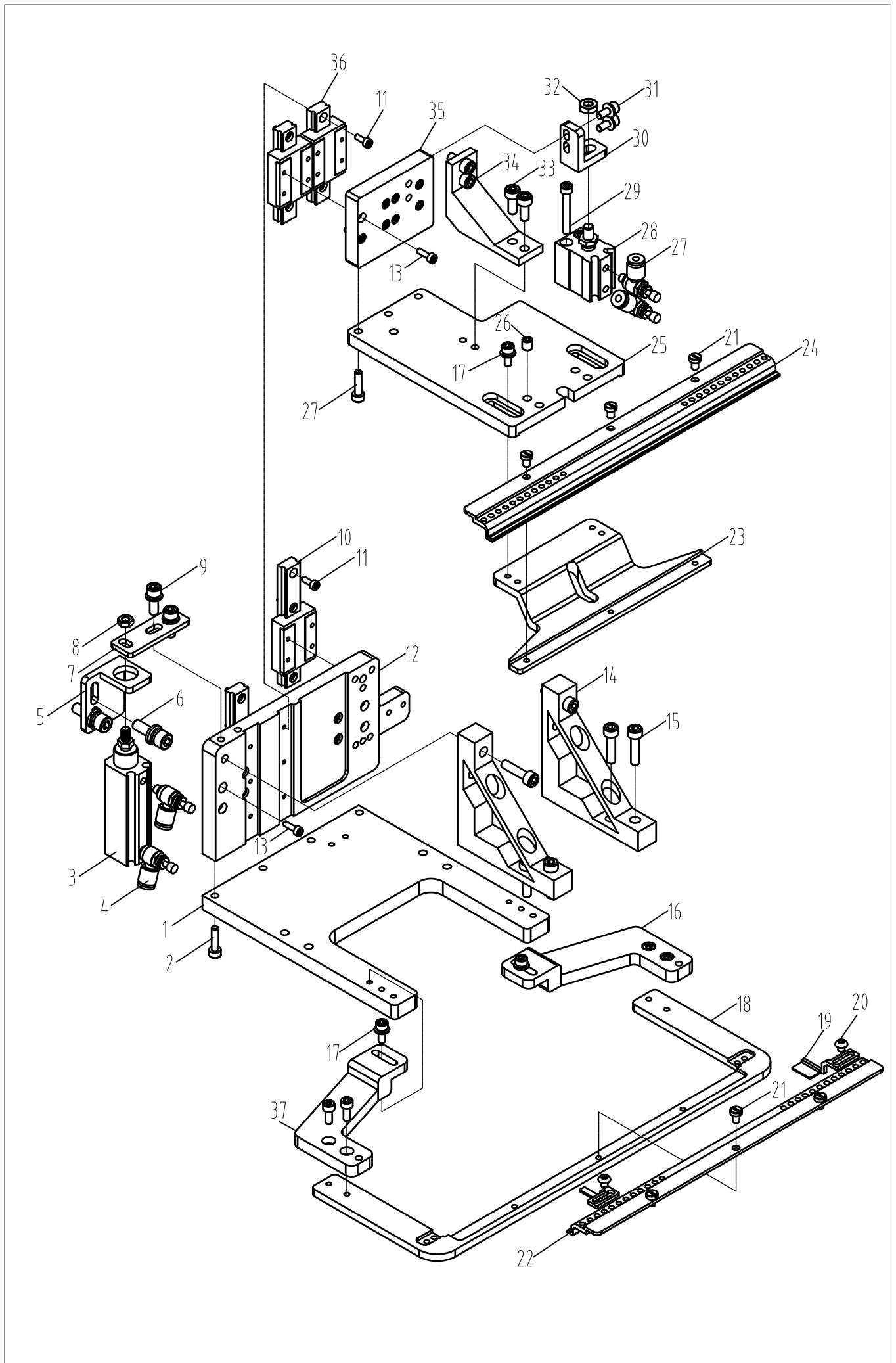
08. 压框部件2 (十代夹具) / Compression frame componen



08.压框部件二(十代夹具)/Compression frame componen

序号 NO	件号	零部件名称	NAME OF PARTS	数量	备注
1	210459004	整体外压框DN703-铝板	Integral outer pressure frame DN703 - aluminum plate	1	
2	210109033	外压框连接块A	Outer pressure frame connecting block A	2	
3	210109032	外框支架A	Outer frame bracket A	2	
4	417S30304	内六角圆柱头螺钉 M6*20	Hexagon socket head cap screw M6*20	4	
5	210102019	外压框组件连接螺钉	Connecting screw of the outer pressure frame assembly	2	
6	S09007	内六角紧定螺钉M6*8	Hexagon socket set screw M6*8	4	
7	421S13028	螺钉m5*14	Screw m5*14	12	
8	210559001	夹片左推板气缸固定板	Left push plate cylinder fixing plate for clamping piece	1	
9	210145027	螺纹弯接头PL4-M5	Threaded elbow PL4-M5	12	
10	210545001	气缸MUR16*20SB	Cylinder MUR16*20SB	6	
11	11182	内六角圆柱头螺钉M4*50	Hexagon socket head cap screw M4*50	12	
12	210504001	定料片驱动支架	Material-setting piece driving bracket	6	
13	421S13003	内六角圆柱头螺钉 M4*8	Hexagon socket head cap screw M4*8	12	
14	N01012	六角螺母M6	Hex nut M6	6	
15	210505002	夹片前驱片	Clamping piece front driving piece	1	
16	210505004	后定料驱动片	Rear material-setting driving piece	2	
17	210505003	前定料驱动片	Front material-setting driving piece	2	
18	210559005	定料片前后主体板	Front and rear main boards of the material positioning plate	2	
19	210512001	定料前后片	Front and rear material positioning pieces	2	
20	S02031	十字槽沉头螺钉M3*5	Cross recessed countersunk head screw M3*5	12	
21	210559003	锰钢夹片气缸固定板左	Left fixed plate of manganese steel clip cylinder	1	
22	417S30036	内六角圆柱头螺钉 M5*12	Hexagon socket head cap screw M5*12	4	
23	421S13003	内六角圆柱头螺钉 M4*8	Hexagon socket head cap screw M4*8	4	
24	210545002	HLH10*20S	HLH10*20S	2	
25	11185	内六角圆柱头螺钉M4*18	Hexagon socket head cap screw M4*18	6	
26	210559006	兜布料板	Pocket fabric plate	1	
27	S170005	内六角半圆头螺钉 M4*4	Hexagon socket button head screw M4*4	4	
28	210512002	后定料片上盖板	Upper cover plate of the rear material positioning piece	1	
29	S02093	内六角沉头螺钉M4*6	Hexagon socket countersunk head screw M4*6	6	
30	210528001	前锰钢夹片一体	Front manganese steel clip integrated piece	1	
31	S02031	十字槽沉头螺钉 M3*5	Cross recessed countersunk head screw M3*5	18	
32	210559007	整体锰钢夹片固定板	Integral manganese steel clip fixing plate	1	
33	210512003	锰钢夹片前连接板	Front connecting plate of manganese steel clip	1	
34	210527001	锰钢夹片弹片	Manganese steel clip spring piece	1	
35	210505001	锰钢夹片驱动片	Manganese steel clip driving piece	2	

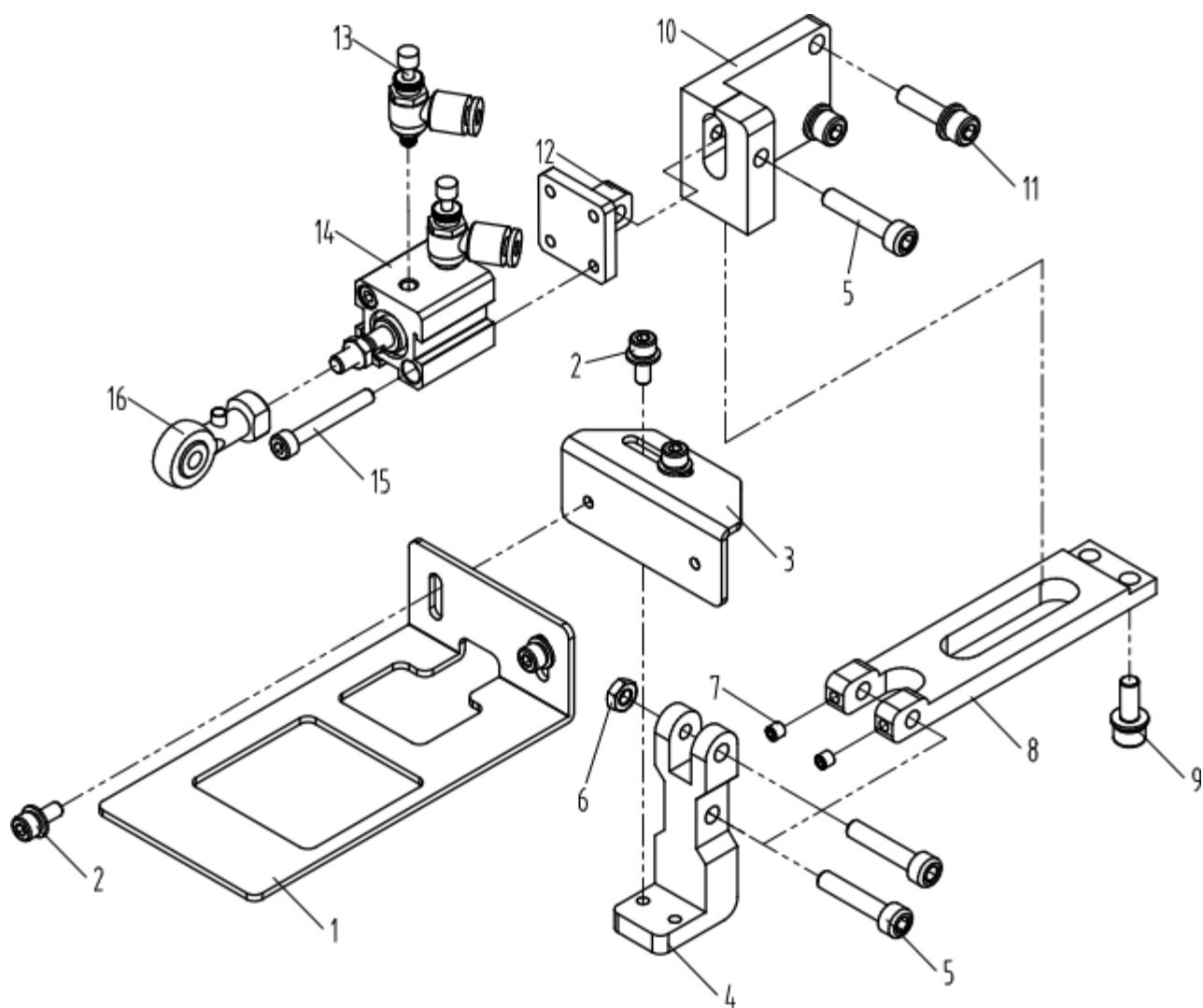
09. 压框部件3 (十代夹具) / Compression frame component three



09.压框部件三(十代夹具)/Compression frame component three

序号 NO	件号	零部件名称	NAME OF PARTS	数量	备注
1	210512006	前后齿条固定升降板	Front and rear rack fixed lifting plate	1	
2	s05068	内六角平头螺钉 M5*20	Hexagon socket flat head screw M5*20	4	
3	210145046	气缸MPG16*40S	Cylinder MPG16*40S	1	
4	210145028	节流阀SL4M5	Throttle valve SL4M5	2	
5	210112049	内框气缸座左	Left inner frame cylinder seat	1	
6	417S30304	内六角圆柱头螺钉 M6*20	Hexagon socket head cap screw M6*20	6	
7	210112150	内框升降板	Inner frame lifting plate	1	
8	N01017	六角螺母m5	Hexagon nut M5	1	
9	421S13028	螺钉M5*14	Screw M5*14	14	
10	210108006	导轨12*85	Guide rail 12*85	2	
11	S05094	内六角螺钉M3*8	Hexagon socket screw M3*8	8	
12	210109037	激光压脚滑台板	Laser presser foot slide plate	1	
13	S05068	内六角平头螺钉 M5*20	Hexagon socket flat head screw M5*20	2	
14	210542002	角铝支座80*80*20	Angle aluminum support 80*80*20	2	
15	S05068	内六角平头螺钉 M5*20	Hexagon socket flat head screw M5*20	2	
16	210512008	前齿条右连接板B	Front rack right connecting plate B	1	
17	421S13012	螺钉M4*10	Screw M4*10	2	
18	210559008	前齿条固定板	Front rack fixing plate	1	
19	210532002	右压片	Right pressing plate	1	
20	S170005	内六角半圆头螺钉 M4*4	Hexagon socket button head screw M4*4	2	
21	421S13058	一字螺钉M4*6	Slotted screw M4*6	6	
22	210525001	齿条前后	Rack front and rear	1	
23	210512009	后齿条连接板	Rear rack connecting plate	1	
24	210525001	齿条前后	Rack front and rear	1	
25	210512005	后齿条固定升降板	Rear rack fixing lifting plate	1	
26	S10019	内六角平端紧定螺钉 M6*6	Hexagon socket flat end set screw M6*6	2	
27	210145028	节流阀SL4M5	Throttle valve SL4M5	2	
28	210145029	气缸MUR16*5SB	Cylinder MUR16*5SB	1	
29	90211	内六角圆柱头螺钉 M4*35	Hexagon socket cylindrical head screw M4*35	2	
30	210512004	后齿条升降驱动头	Rear rack lifting drive head	1	
31	1115	内六角圆柱头螺钉 M4*10	Hexagon socket cylindrical head screw M4*10	2	
32	N01012	六角螺母m6	Hexagonal nut M6	1	
33	S05087	内六角圆柱头螺钉 M5*12	Hexagon socket cylindrical head screw M5*12	4	
34	210542001	角铝40-60-15	Angle aluminum 40-60-15	1	
35	210558001	后压框固定块	Rear pressure frame fixing block	1	
36	210108007	导轨组件12*65	Guide rail assembly 12*65	2	
37	210512007	前齿条连接板B	Front rack connecting plate B	1	

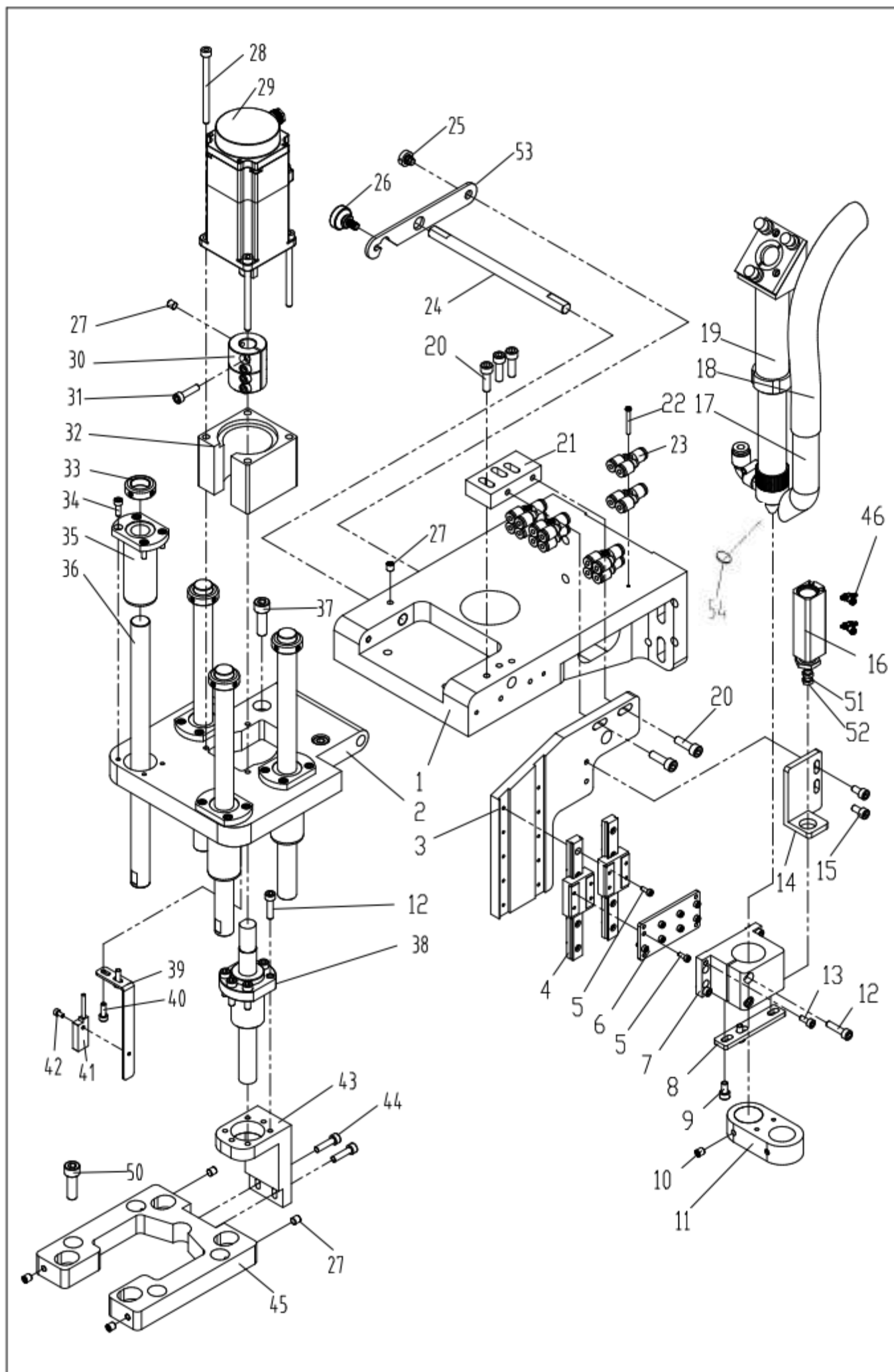
10. 压框部件六/Compression frame component four



10.压框部件四/Compression frame component four

序号 NO	件号	零部件名称	NAME OF PARTS	数量	备注
1	210112064	压片B	Tablet B	1	
2	421S13012	螺钉M4×10(带垫)	Screw M4×10 (with washer)	4	
3	210112063	压片A	Tablet A	1	
4	210109069	压料翻转支架	Material pressing and turning bracket	1	
5	114S30001	内六角圆柱头螺钉	Hexagon socket cylindrical head screw	3	
6	N01017	六角螺母M5(进口)	Hexagonal nut M5 (imported)	1	
7	S09103	内六角平端紧定螺钉M4×4	Hexagon socket flat end set screw M4×4	2	
8	210109068	压料翻转支座	Material pressing and turning support	1	
9	421S13028	螺钉M5×14(带垫)	Screw M5×14 (with washer)	2	
10	210109067	压料支座	Material pressing support	1	
11	421S13059	螺钉M5×20(带垫)	Screw M5×20 (with washer)	2	
12	210109056	气缸固定座	Cylinder fixing seat	1	
13	210145028	节流阀SL4M5	Throttle valve SL4M5	2	
14	210145034	气缸SDA12x10	Cylinder SDA12x10	1	
15	S05064	内六角螺钉M4×30	Hexagon socket screw M4×30	2	
16	210145033	鱼眼接头F-M5X080U	Fish eye joint F-M5X080U	1	

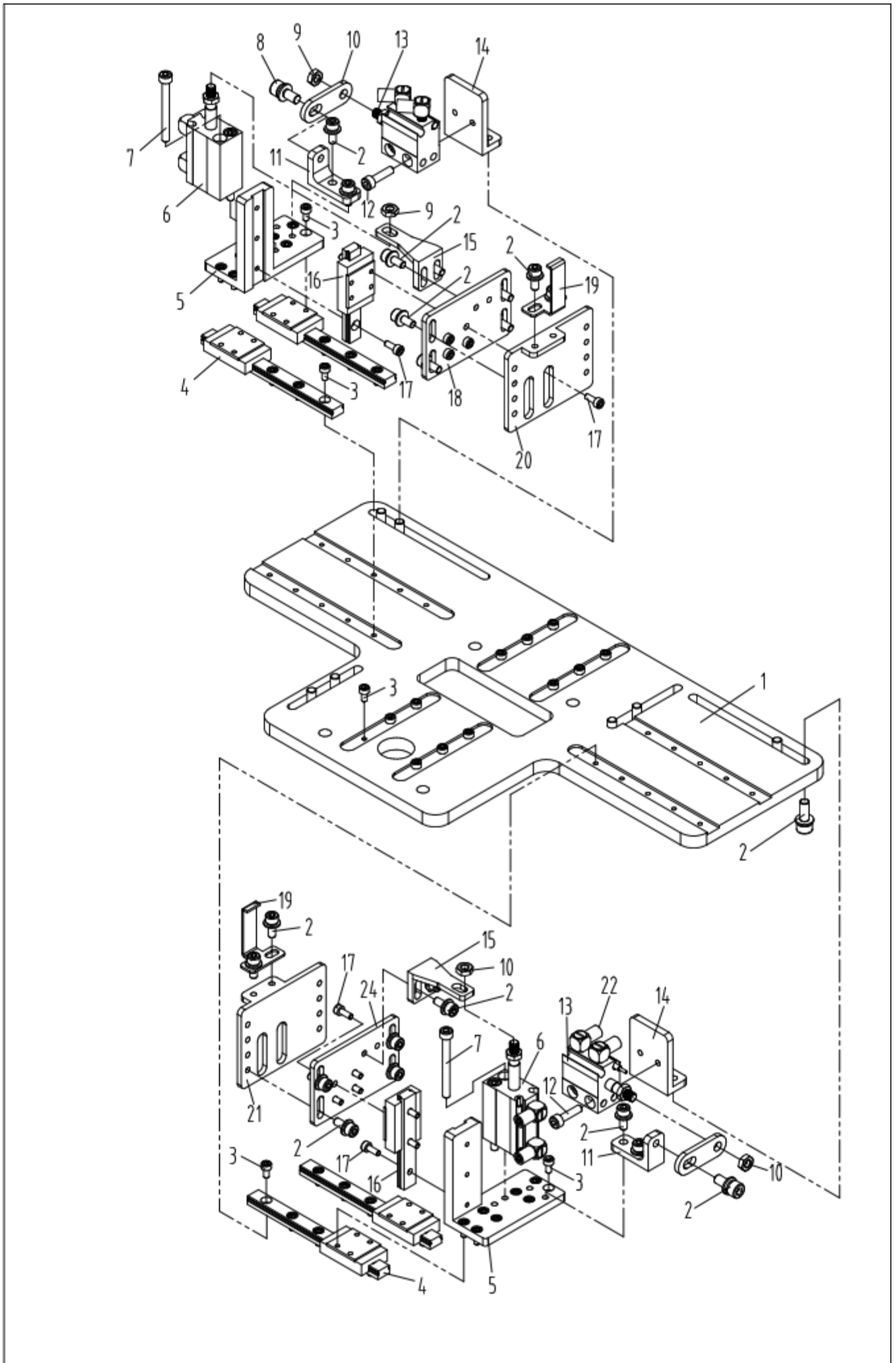
11. 折布升降及激光升降头部件/Folding cloth lifting and laser lifting components



11. 折布升降座及激光升降头部件 /Folding cloth lifting and laser lifting components

序号 NO	件号	零部件名称	NAME OF PARTS	数量	备注
1	210101004	折布后座	Cloth folding rear seat	1	
2	210109154	折布转接座(J6)	Cloth folding adapter seat (J6)	1	
3	210109158	激光转接固定板	Laser adapter fixing plate	1	
4	210108019	导轨组件12×110	Guide rail assembly 12×110	2	
5	S05094	内六角螺钉M3×8	Hexagon socket screw M3×8	18	
6	210109121	激光管座转接板	Laser tube socket adapter plate	1	
7	210109122	激光抱箍	Laser hoop	1	
8	210112163	激光气缸连接板(J6)	Laser cylinder connecting plate (J6)	1	
9	421S13028	螺钉M5×14(带垫)	Screw M5×14 (with washer)	2	
10	S10019	内六角平端紧定螺钉M6×6(进口)	Hexagon socket flat end set screw M6×6 (imported)	2	
11	210109125	吸风管支座	Suction pipe support	1	
12	S05068	内六角平头螺钉M5×20	Hexagon socket flat head screw M5×20	9	
13	S05058	内六角圆柱头螺钉M4×10	Hexagon socket cylindrical head screw M4×10	4	
14	210109124	激光升降气缸座	Laser lifting cylinder base	1	
15	421S13028	螺钉M5×14(带垫)	Screw M5×14 (with washer)	2	
16	210145046	气缸MPG16X40S	Cylinder MPG16X40S	1	
17	210112101	吸风管	Suction pipe	1	
18	210144013	上激光吸烟管∅22	Upper laser smoke suction pipe ∅22	1	
19	21013100600	激光出光管组件	Laser light emitting tube assembly	1	
20	421S13036	螺钉M6×25(带垫)	Screw M6×25 (with washer)	2	
21	210109200	激光管转接连接板	Laser tube adapter connecting plate	1	
22	S05405	内六角螺钉M3×25	Hexagon socket screw M3×25	4	
23	210145017	Y型三通PY4	Y-type tee PY4	8	
24	210109142	折叠固定旋转轴	Folding fixed rotating shaft	1	
25	129S20002	轴位螺钉M6	Shaft position screw M6	1	
26	210102013	手旋螺钉M6×10	Hand-tightened screw M6×10	1	
27	S09007	内六角紧定螺钉M6×8	Hexagon socket set screw M6×8	8	
28	417S13500	内六角圆柱头螺钉	Hexagon socket cylindrical head screw	4	
29	210133009	折布升降电机	Cloth folding lifting motor	1	
30	210103004	联轴器14-Φ32	Coupling 14-Φ32	1	
31	S05068	内六角平头螺钉M5×20	Hexagon socket flat head screw M5×20	4	
32	210109169	升降电机座	Lifting motor base	1	
33	210103005	光轴固定环	Optical axis fixing ring	4	
34	S05058	内六角圆柱头螺钉M4×10	Hexagon socket cylindrical head screw M4×10	16	
35	210124004	直线轴承16	Linear bearing 16	4	
36	210109018	导向轴16×255	Guide shaft 16×255	4	
37	S05024	内六角圆柱头螺钉M8×25	Hexagon socket cylindrical head screw M8×25	2	
38	900243	折布升降丝杠	Cloth folding lifting lead screw	1	
39	210112092	顶部传感器支架	Top sensor bracket	1	
40	421S13012	螺钉M4×10(带垫)	Screw M4×10 (with washer)	2	
41	210130018	传感器APS412S-E	Sensor APS412S-E	1	
42	S05402	内六角圆柱头螺钉M3×6	Hexagon socket cylindrical head screw M3×6	1	
43	210109170	丝杠螺母连接块	Lead screw nut connecting block	1	
44	417S30304	内六角圆柱头螺钉	Hexagon socket cylindrical head screw	4	
45	210109168	折布装置固定座(J6)	Cloth folding device fixing seat (J6)	1	
46	210145028	节流阀SL4M5	Throttle valve SL4M5	2	
47	421S13042	内六角螺钉M8×35	Hexagon socket screw M8×35	4	
48	W02011	M8不锈钢弹簧垫片	M8 stainless steel spring washer	4	
49	W01010	垫片M8(普通)	Washer M8 (ordinary)	4	
50	421S13018	螺钉M8×20(带垫)	Screw M8×20 (with washer)	4	
51	N01017	六角螺母M5(进口)	Hexagon nut M5 (imported)	1	
52	W01004	平垫圈5	Flat washer 5	1	
53	210112126	折布限位座限位支架	Cloth folding limit seat limit bracket	1	
54	210131008	聚光镜	Focusing mirror	1	

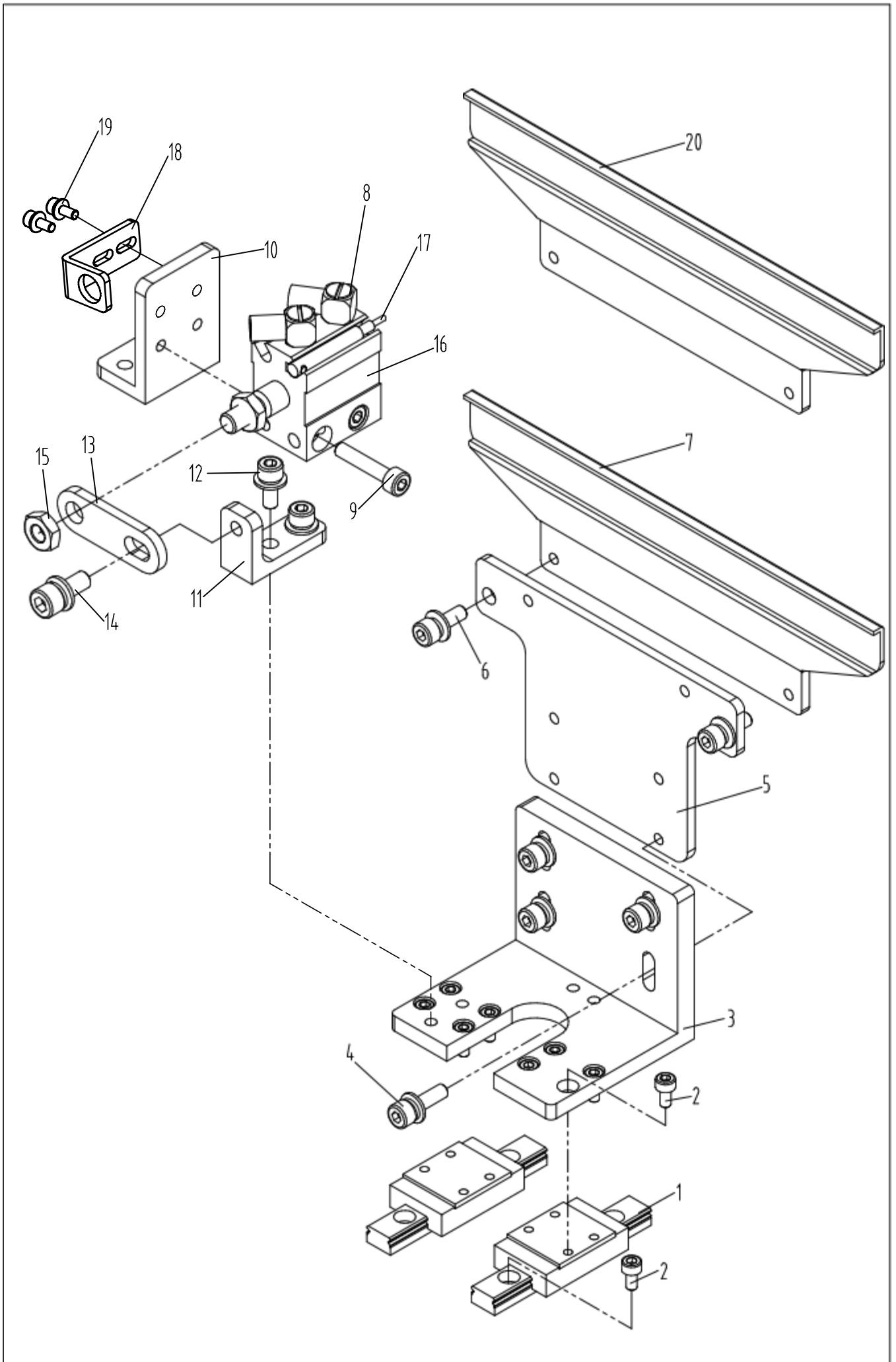
12. 左右折布部件/Left and right folded fabric components



12.左右折布部件/Left and right folded fabric components

序号 NO	件号	零部件名称	NAME OF PARTS	数量	备注
1	210109171	折布装置固定板(J6)	Cloth folding device fixing plate (J6)	1	
2	421S13012	螺钉M4×10(带垫)	Screw M4×10 (with washer)	20	
3	S05402	内六角圆柱头螺钉M3×6	Hexagon socket cylindrical head screw M3×6	48	
4	210108004	导轨组件9×100	Guide rail assembly 9×100	4	
5	210109026	折布导轨板A	Cloth folding guide rail plate A	1	
6	210145021	气缸MUR12×15SB	Cylinder MUR12×15SB	2	
7	S05065	螺钉M4×40	Screw M4×40	4	
8	417S30036	内六角圆柱头螺钉	Hexagon socket cylindrical head screw	2	
9	N01017	六角螺母M5(进口)	Hexagon nut M5 (imported)	4	
10	210112039	双气缸连接板	Double-cylinder connecting plate	2	
11	210109022	插刀伸缩气缸座C	Knife inserting telescopic cylinder seat C	2	
12	S05118	内六角螺钉M4×16(滚花)	Hexagon socket screw M4×16 (knurled)	4	
13	210145011	气缸MU12X5SB	Cylinder MU12X5SB	2	
14	210109028	插刀伸缩气缸座	Knife inserting telescopic cylinder seat	2	
15	210109029	插刀升降气缸架	Knife inserting lifting cylinder frame	2	
16	210108003	导轨组件9×60	Guide rail assembly 9×60	2	
17	S05094	内六角螺钉M3×8	Hexagon socket screw M3×8	14	
18	210109023	折刀调整板短	Short folding knife adjustment plate	3	
19	210152002	小折刀	Small folding knife	2	
20	210109024	折刀转接板短	Short folding knife adapter plate	1	
21	210109167	右折布导轨板	Right cloth folding guide rail plate	1	
22	210145023	接头PL4-M5C	Joint PL4-M5C	8	
23	210130031	感应器A05-DMSG-020	Sensor A05-DMSG-020	4	
24	210109187	右折刀转接板短	Short right folding knife adapter plate	1	
25	421S13028	螺钉M5×14(带垫)	Screw M5×14 (with washer)	8	

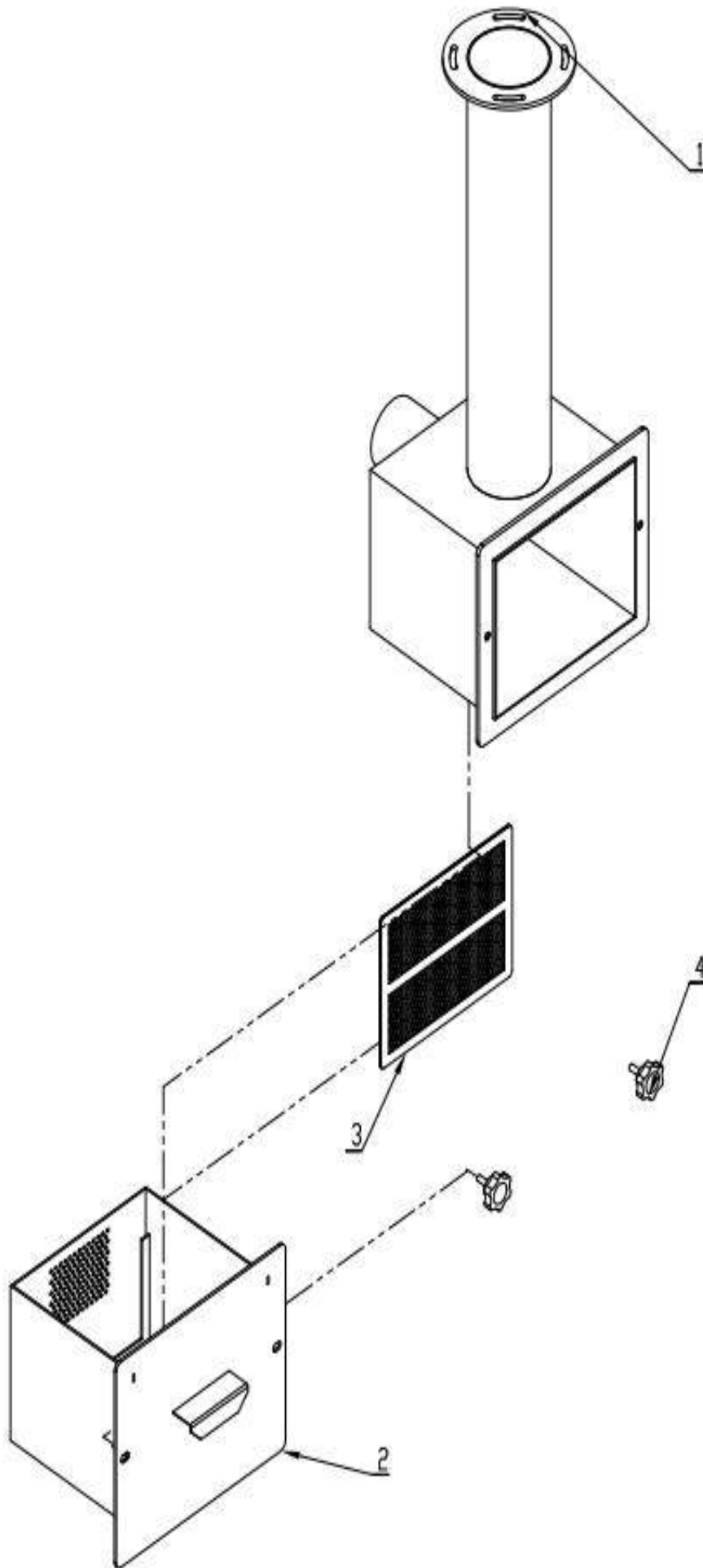
13. 前后折布部件/ Front and rear folding fabric components



13.前后折布部件/Front and rear folding fabric components

序号 NO	件号	零部件名称	NAME OF PARTS	数量	备注
1	210108003	导轨组件9×60	Guide rail assembly 9×60	4	
2	S05402	内六角圆柱头螺钉M3×6	Hexagon socket cylindrical head screw M3×6	16	
3	210109177	前后折布导轨板	Front and rear cloth folding guide rail plates	2	
4	417S30034	内六角圆柱头螺钉	Hexagon socket cylindrical head screw	8	
5	210109190	折刀转接板长(J6)	Long folding knife adapter plate (J6)	2	
6	417S30302	内六角圆柱头螺钉	Hexagon socket cylindrical head screw	4	
7	210152054	前后折刀 (常规160)	Front and rear folding knives (regular 160)	2	
8	210145023	接头PL4-M5C	Joint PL4-M5C	4	
9	S05970	内六角圆柱头螺钉M4×20	Hexagon socket cylindrical head screw M4×20	4	
10	210109027	插刀伸缩气缸座A	Inserting knife telescopic cylinder base A	2	
11	210109022	插刀伸缩气缸座C	Inserting knife telescopic cylinder base C	2	
12	421S13012	螺钉M4×10(带垫)	Screw M4×10 (with washer)	4	
13	210112036	前后气缸连接板	Front and rear cylinder connecting plates	2	
14	417S30036	内六角圆柱头螺钉	Hexagon socket cylindrical head screw	2	
15	N01012	六角螺母M6(进口)	Hexagonal nut M6 (imported)	2	
16	210130031	感应器A05-DMSG-020	Sensor A05-DMSG-020	2	
17	210145020	气缸MU16×5SB	Cylinder MU16×5SB	2	
18	210112164	前后折刀限位板	Front and rear folding knife limit plates	1	
19	421S13012	螺钉M4×10(带垫)	Screw M4×10 (with washer)	2	
20	210152055	前后折刀 (加宽160)	Front and rear folding knives (widened 160)	1	

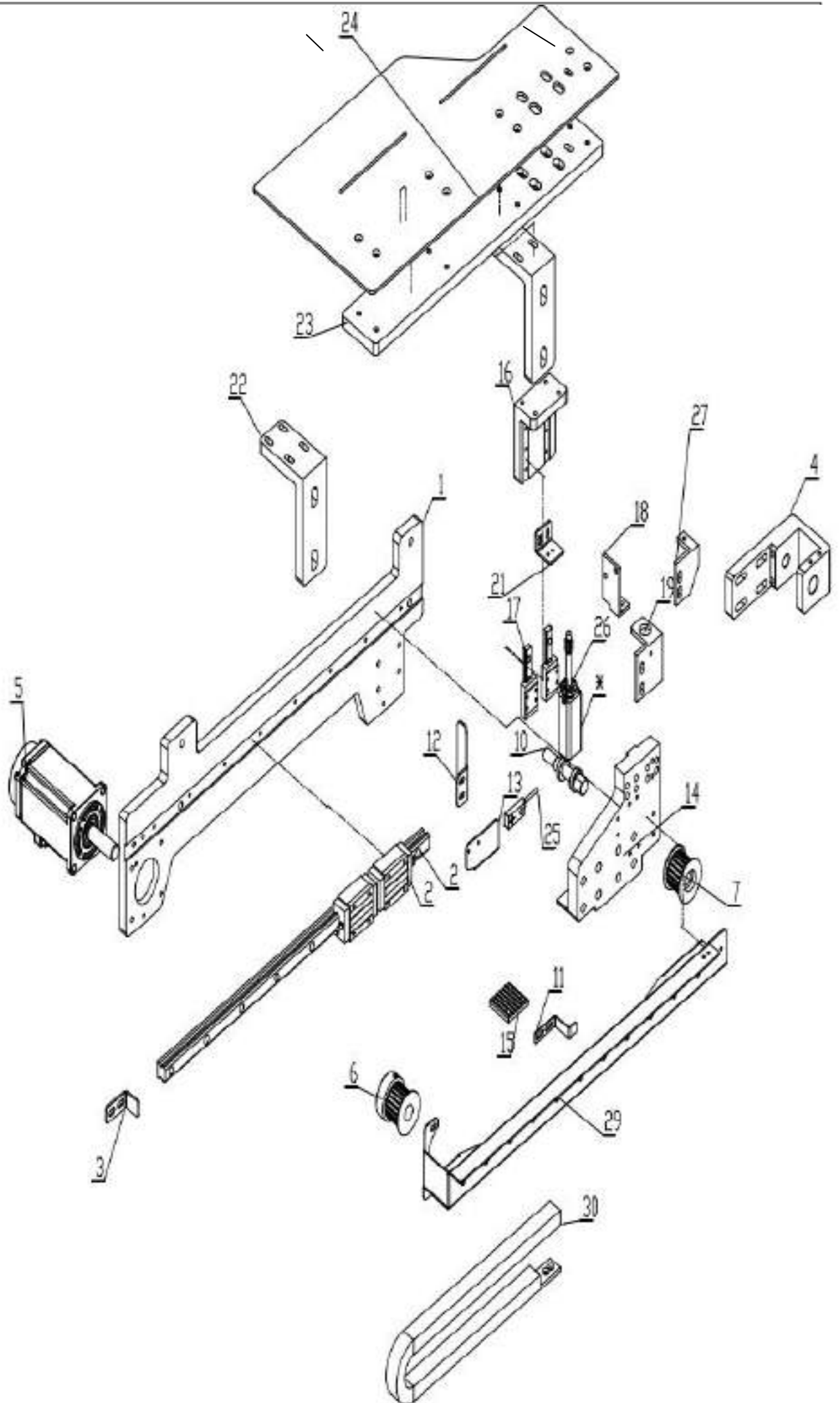
14. 激光集尘箱组件\Laser dust collection box component



14.激光集尘箱组件/Laser dust collection box component

序号 NO	件号	零部件名称	NAME OF PARTS	数量	备注
1	210112207	集尘箱壳体	Dust collection box shell	1	
2	210112208	集尘箱抽屉	Dust collection box drawer	1	
4	800389	不锈钢滤网	Stainless steel filter screen	1	
5	210126001	梅花螺栓 M4X12	Torx bolt M4X12	2	

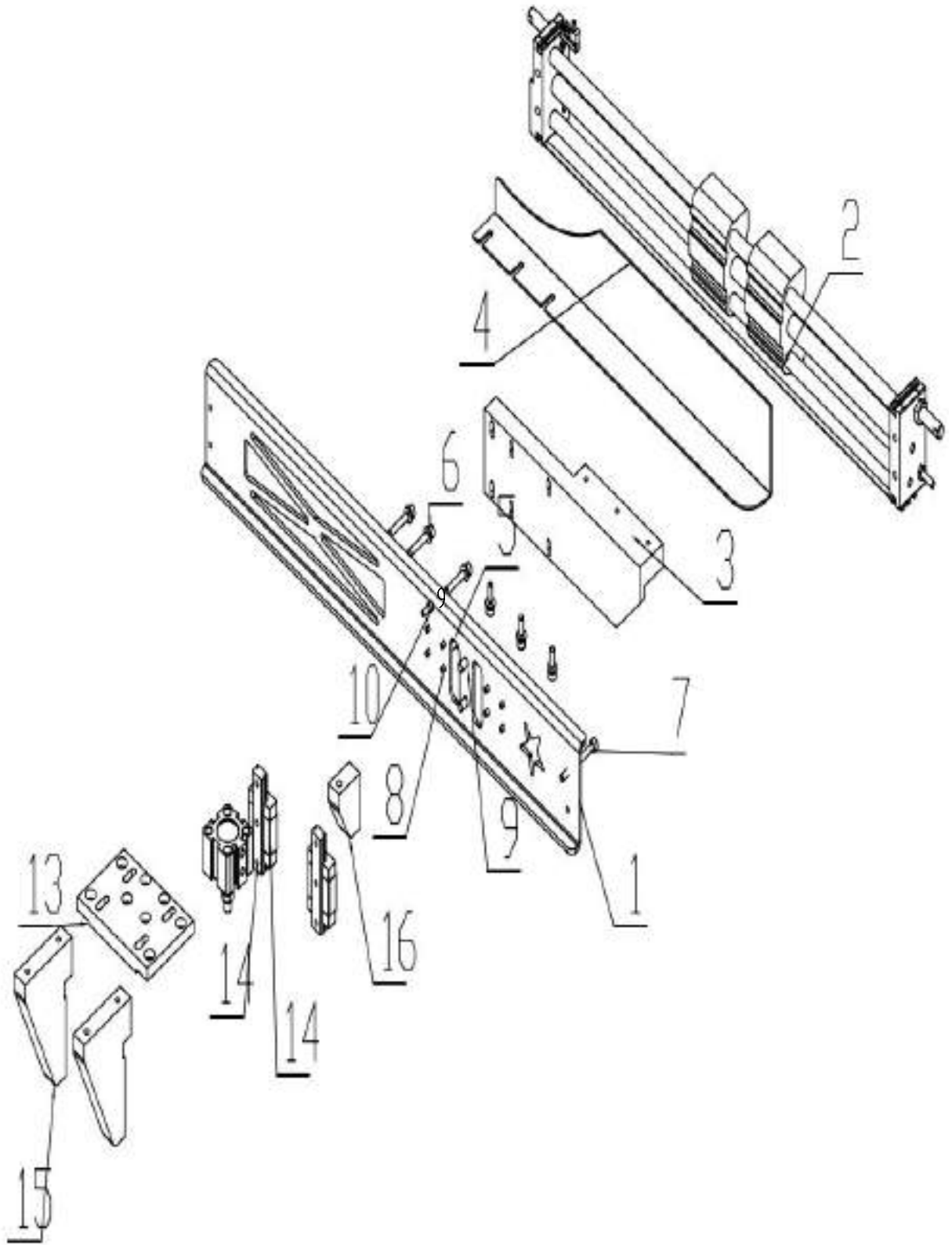
15. 袋布兜料部件/Bag fabric bag material components



15.袋布兜料部件/Bag fabric bag material components

序号 NO	件号	零部件名称	NAME OF PARTS	数量	备注
1	210109244	兜料装置导轨板	Guide rail plate of material holding device	1	
2	210108029	袋布兜料导轨双滑块组件	Double-slider assembly for bag cloth material-holding guide rail	1	
3	210112140	上托板前限位块	Front limit block of the upper supporting plate	1	
4	210109203	兜料同步带张紧座	Material-holding synchronous belt tensioning seat	1	
5	210133010	迪维讯电机(600W)	Division Motor (600W)	1	
6	210135002	主动轮20-5M-Φ14	Driving pulley 20-5M-Φ14	1	
7	210135001	从动轮20-5M-Φ10	Driven pulley20-5M-Φ10	1	
8	210124005	轴承6800	Bearing 6800	2	
9	210103009	兜料从动轴轴套	Sleeve of material-holding driven shaft	1	
10	210102017	兜料从动带轮轴	Material-holding driven pulley shaft	1	
11	210112183	感应片	Induction sheet	1	
12	210112185	防侧倾支架	Anti-roll bracket	1	
13	210112184	兜料传感器支架	Material-holding sensor bracket	1	
14	210109227	兜料左右滑块板	Left and right slider plates for material holding	1	
15	210109163	同步带压板5M-15	Synchronous belt pressing plate 5M-15	1	
16	210109228	兜料升降板	Material-holding lifting plate	1	
17	210108008	导轨双滑块组件9X100	Guide rail double-slider assembly 9X100	2	
18	210109230	气缸连接支架	Cylinder connecting bracket	1	
19	210109229	兜料升降气缸固定支架	Fixing bracket for material-holding lifting cylinder	1	
20	210145024	气缸MPG16X30S	Cylinder MPG16X30S	1	
21	210112182	小拖链支架	Small drag chain bracket	1	
22	210109193	兜料支架(J6)	Material-holding bracket (J6)	2	
23	210109240	袋布兜料板	Bag cloth material-holding plate	1	
24	210112195	托布板	Cloth supporting plate	1	
25	210130018	传感器APS412S-E	Sensor APS412S-E	1	
26					
27	210109241	气缸限位块	Cylinder limit block	1	
28					
29	210112181	兜料同步带护罩	Material-holding synchronous belt shield	1	
30		gb_part.prt		1	

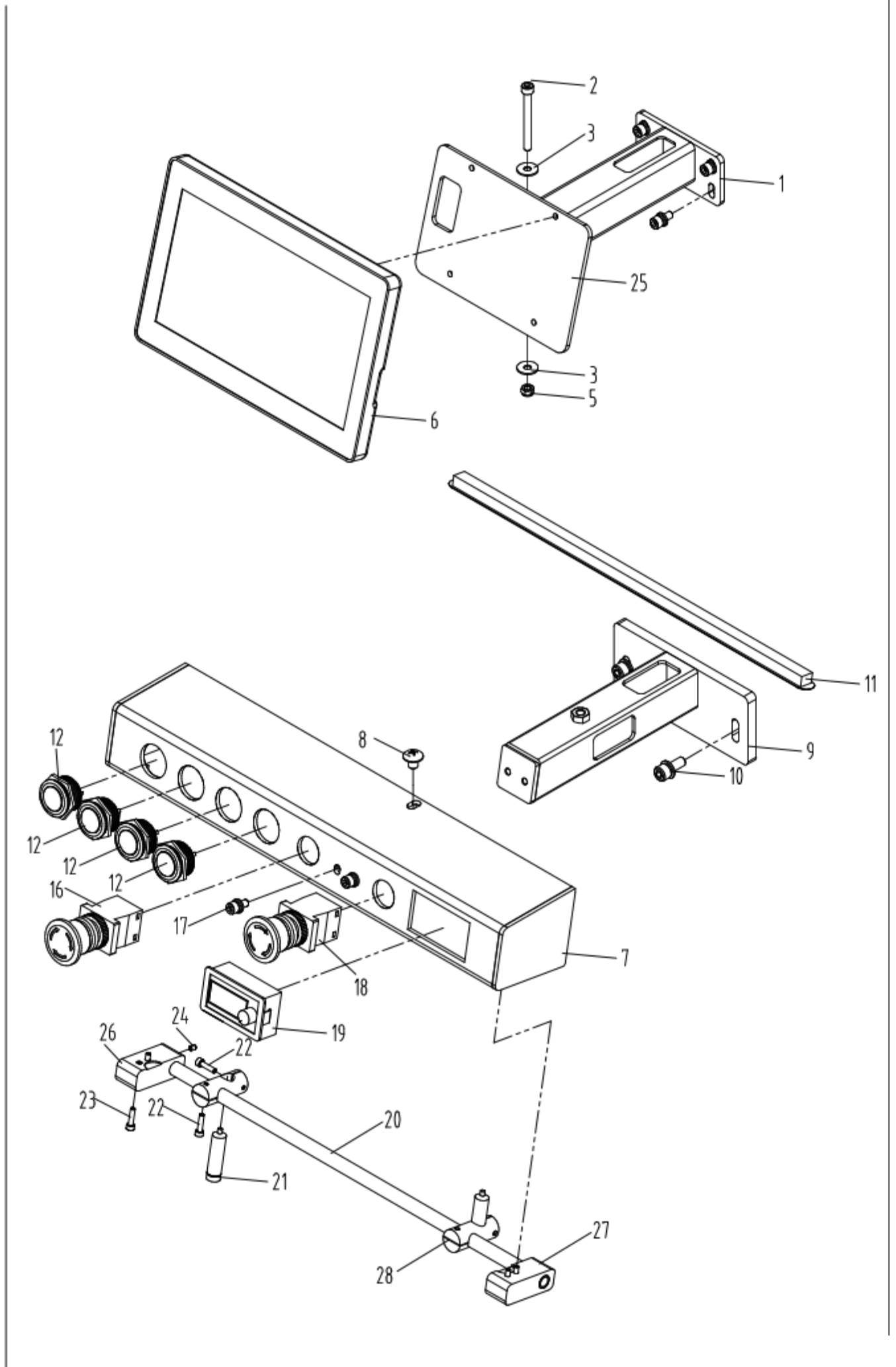
16. 档袋唇部件/Bag lip component



16.档袋唇部件/Bag lip component

序号 NO	件号	零部件名称	NAME OF PARTS	数量	备注
1	210112088	袋唇气缸支架	Bag lip cylinder bracket	1	
2	210145043	滑台气缸CY1S10-400BZ	Slide cylinder CY1S10-400BZ	1	
3	210109113	袋唇挡板支架	Bag lip baffle bracket	1	
4	210112089	袋唇挡板	Bag lip baffle	1	
5	417S30034	内六角圆柱头螺钉M4x14	Hexagon socket cylindrical head screw M4x14	6	
6	421S13072	螺钉M4x25(带垫)	Screw M4x25 (with washer)	3	
7	S05065	螺钉M4x40	Screw M4x40	4	
8	S02032	十字槽沉头螺钉M3x6	Cross recessed countersunk head screw M3x6	8	
9	421S17009	螺钉M5x10	Screw M5x10	2	
10	S05094	内六角螺钉M3x8	Hexagon socket screw M3x8	1	
11	S05118	内六角螺钉M4x16(滚花)	Hexagon socket screw M4x16 (knurled)	1	
12	210145042	SDA20x5B	SDA20x5B	1	
13	210109110	挡料座底板	Stock stop base plate	1	
14	210108015	导轨组件12X60	Guide rail assembly 12X60	2	
15	210109111	挡料座支架	Stock stop bracket	2	
16	210109112	气缸连接支架	Cylinder connecting bracket	1	

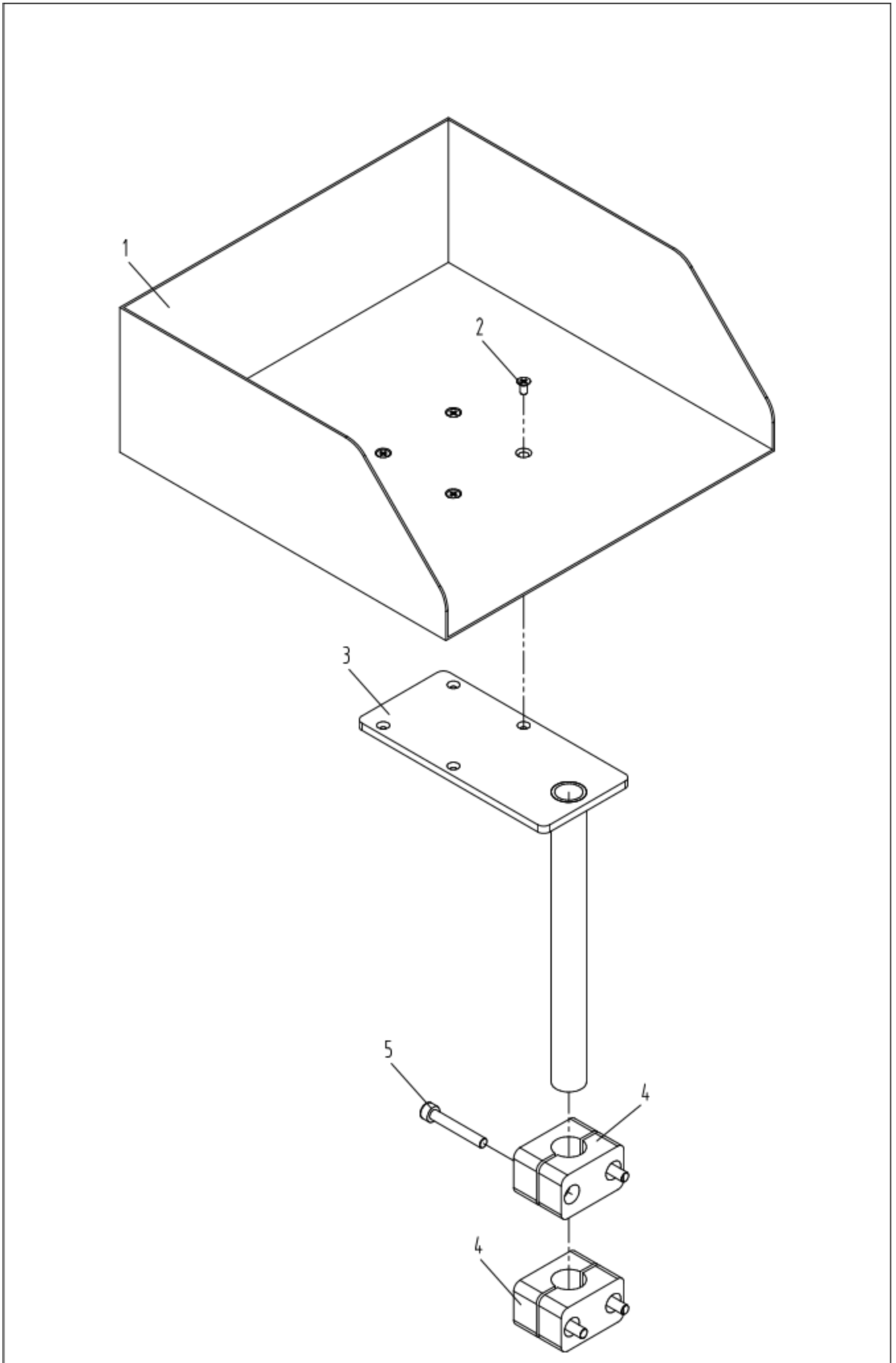
17. 显示屏及按键急停部件/Display screen and button emergency stop component



17.显示屏及按键急停部件/Display screen and button emergency stop component

序号 NO	件号	零部件名称	NAME OF PARTS	数量	备注
1	21013203300	显示屏固定架组件	Display screen fixing frame assembly	1	
2	S05112	内六角圆柱头螺钉M6×60(滚花)	Hexagon socket cylindrical head screw M6×60 (knurled)	1	
3	W01021	垫圈6.3×18×1.2	Washer 6.3×18×1.2	2	
5	407N01003	自锁螺母	Self-locking nut	1	
6	210130060	显示屏(大)	Display screen (large)	1	
7	21013204500	按键急停固定板组件	Emergency stop button fixing plate assembly	1	
8	421S10021	十字半圆头螺钉	Cross pan head screw	1	
9	21013203200	按键急停支架组件	Emergency stop button bracket assembly	1	
10	421S13018	螺钉M8×20(带垫)	Screw M8×20 (with washer)	2	
11	210130054	嵌入灯带430MM	Embedded light strip 430MM	1	
12	210130001	30自复按钮蓝光	30 self-resetting button with blue light	4	
16	210130023	急停开关	Emergency stop switch	1	
17	417S30037	内六角圆柱头螺钉	Hexagon socket cylindrical head screw	6	
18	210130024	启动开关	Start switch	1	
19	210130026	一体式电位器	Integrated potentiometer	1	
20	210103003	定位激光固定管	Positioning laser fixing tube	1	
21	210130052	激光定位灯	Laser positioning lamp	2	
22	S05265	内六角圆柱头螺钉M4×16	Hexagon socket cylindrical head screw M4×16	4	
23	S05118	内六角螺钉M4×16(滚花)	Hexagon socket screw M4×16 (knurled)	4	
24	421S14005	内六角平端紧定螺钉M4×6	Hexagon socket flat end set screw M4×6	4	
25	21013203400	显示屏旋转固定组件	Display screen rotation fixing assembly	1	
26	210108021	定位激光固定块左	Left positioning laser fixing block	1	
27	210108022	定位激光固定块右	Right positioning laser fixing block	1	
28	210137026	激光转接块	Laser adapter block	2	
29	41830021	插线板A01	Power strip A01	1	

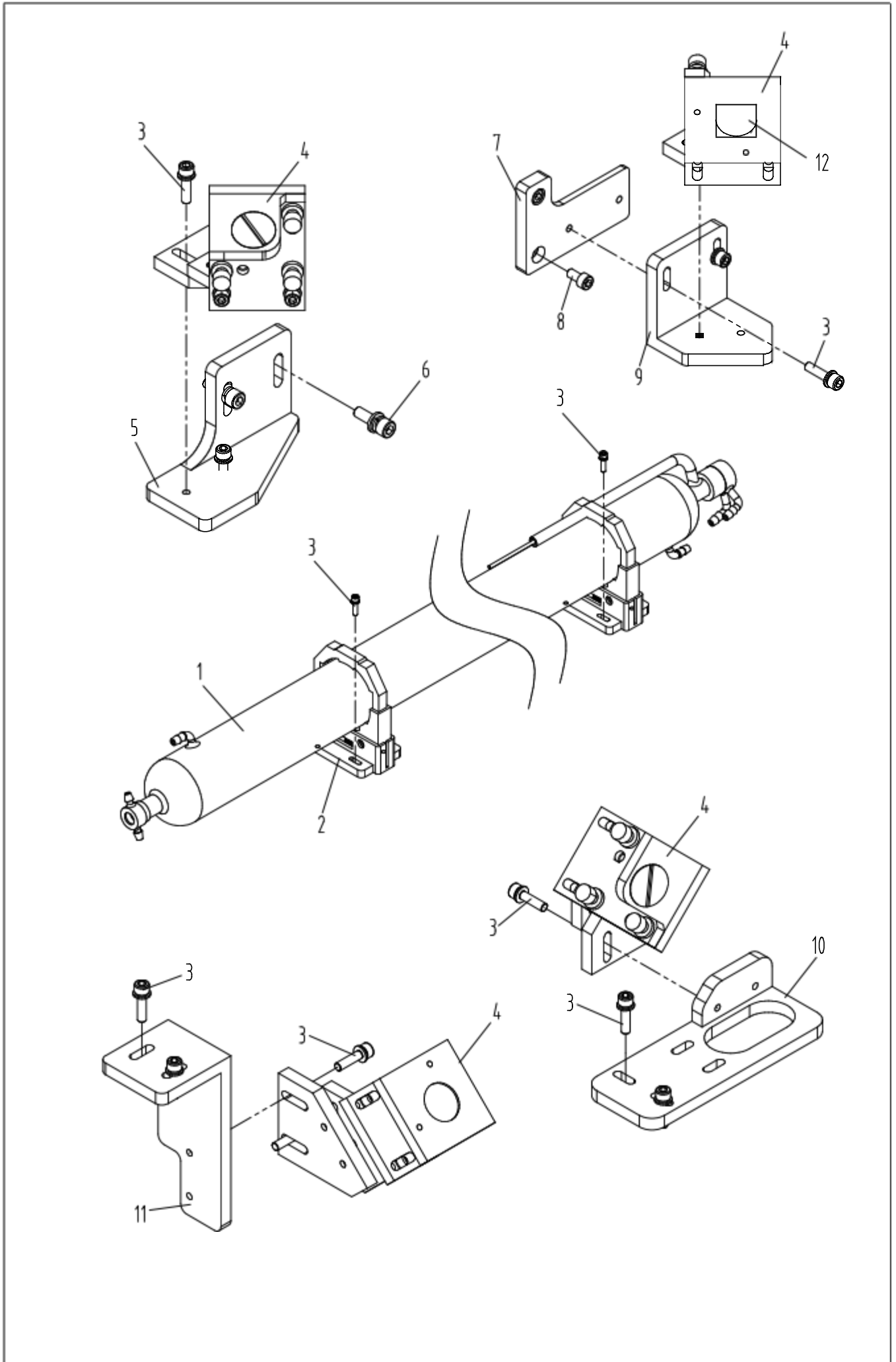
18. 料斗部件/Hopper Components



18.料斗部件/Hopper Components

序号 NO	件号	零部件名称	NAME OF PARTS	数量	备注
1	210112091	上料斗	Feeding hopper	1	
2	421S17002	十字槽沉头螺钉	Cross recessed countersunk head screw	4	
3	21010200600	料斗支柱组件	Hopper pillar assembly	1	
4	21010915300	料斗固定块组件	Hopper fixing block assembly	2	
5	S05073	内六角螺钉M6X40	Hexagon socket screw M6×40	4	

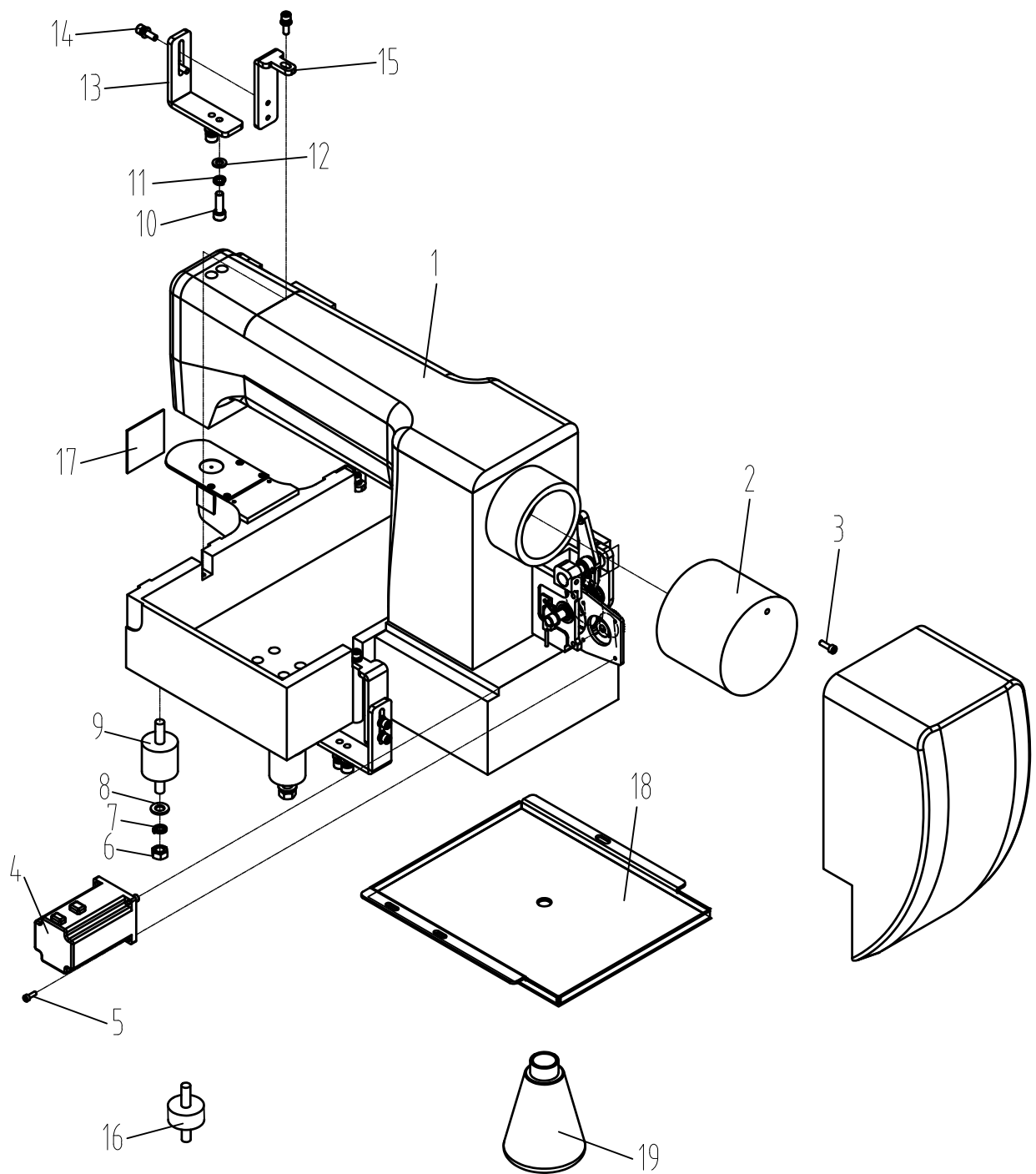
19. 激光及反射镜部件/Laser and reflector components



19.激光管及反射镜部件/Laser and reflector components

序号 NO	件号	零部件名称	NAME OF PARTS	数量	备注
1	210130022	激光管	Laser tube	1	
2	210144012	激光管塑料固定座	Plastic fixing seat for laser tube	2	
3	421S13059	螺钉M5×20(带垫)	Screw M5×20 (with washer)	20	
4	21013100500	激光反光座组件	Laser reflecting base assembly	4	
5	210109128	小支架支座B	Small bracket support B	1	
6	417S30304	内六角圆柱头螺钉	Hexagon socket cylindrical head screw	2	
7	210109157	折射镜支架	Reflector bracket	1	
8	S05121	内六角螺钉M5×10(滚花)	Hexagon socket screw M5×10 (knurled)	2	
9	210109127	小支架支座A	Small bracket support A	1	
10	210109130	小支架支座D	Small bracket support D	1	
11	210109129	小支架支座C	Small bracket support C	1	
12	210131007	激光反光镜	Laser reflector	4	

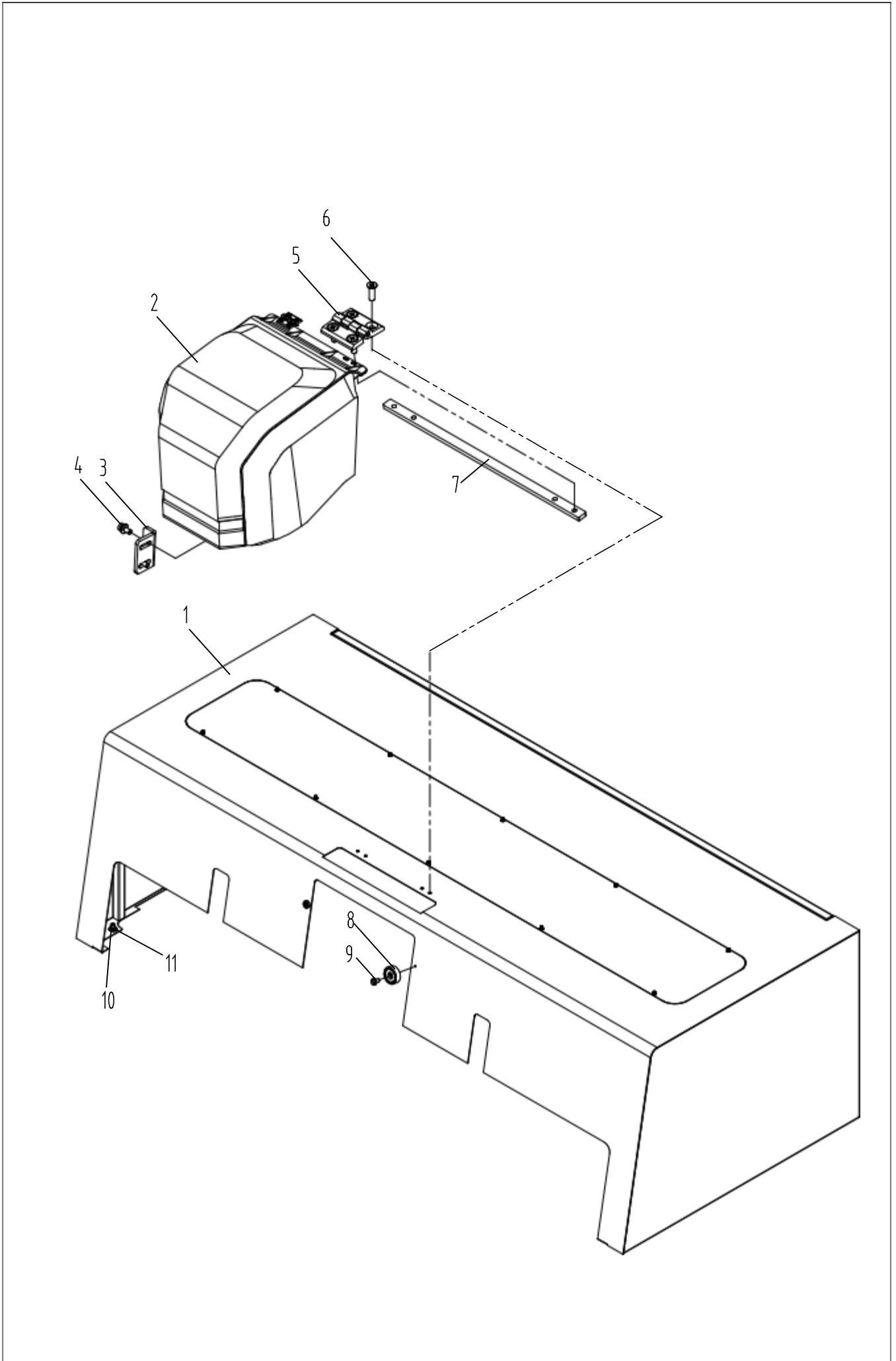
20. 机头部件 / Nose Section



20.机头部件/Nose Section

序号 NO	件号	零部件名称	NAME OF PARTS	数量	备注
1	210153001	国产311机头	Domestic 311 machine head	1	
2	210133005	主轴电机SY2063750	Spindle motor SY2063750	1	
3	11192	内六角圆柱头螺钉M5*12	Hexagon socket head cap screw M5*12	1	
4	52000455	60步进电机	60 stepper motor	1	
5	11192	内六角圆柱头螺钉M5*12	Hexagon socket head cap screw M5*12	1	
6	N01009	螺母M10	Nut M10	4	
7	W02861	M10弹簧垫片	M10 spring washer	4	
8	W01018	垫片M10	Washer M10	4	
9	210144004	减震垫40	Shock-absorbing pad 40	4	
10	S05024	内六角圆柱头螺钉M8*25	Hexagon socket cylindrical head screw M8*25	6	
11	W02011	M8不锈钢弹簧垫片	M8 stainless steel spring washer	6	
12	W01010	垫片M8(普通)	Washer M8 (ordinary)	6	
13	210112022	固定支架A	Fixing bracket A	3	
14	417S30304	内六角圆柱头螺钉	Hexagon socket cylindrical head screw	9	
15	210112023	固定支架B	Fixing bracket B	3	
16	210109233	减震垫40	Shock-absorbing pad 40	4	
17	42130028	反射纸	Reflective paper	1	
18	210511001	油盒	Oil box	1	
19	141711020	塑料油瓶	Plastic oil bottle	1	

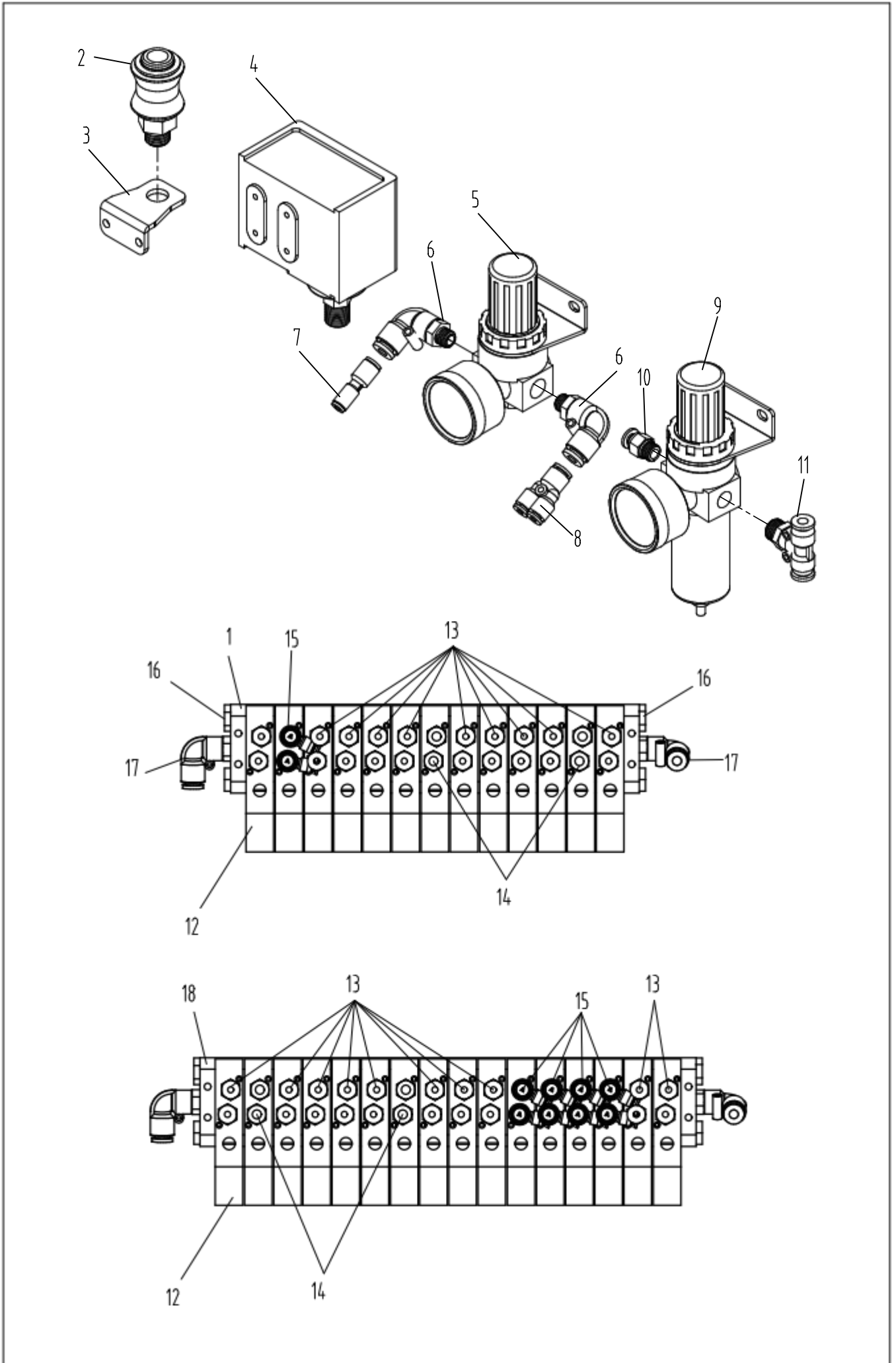
21. 上罩部件/Upper Cover Part



21.上罩壳部件/Upper Cover Part

序号 NO	件号	零部件名称	NAME OF PARTS	数量	备注
1	21011211900	上罩壳组件及其附件	Upper cover assembly and its accessories	1	
2	210111001	折布组件罩壳	Cloth folding component cover	1	
3	210112153	罩壳磁吸板	Housing magnetic suction plate	2	
4	417S30025	十字槽小盘头螺钉	Cross recessed small pan head screw	4	
5	210132009	合页40x40x5	Hinge 40x40x5	2	
6	407S17006	十字槽沉头螺钉M5X16(特制)	Cross recessed countersunk head screw M5X16 (special made)	8	
7	210112125	罩壳铰链螺母板	Housing hinge nut plate	2	
8	210130051	小窗吸合磁铁	Small window attracting magnet	2	
9	413S11011	一字螺钉M3x5	Slotted screw M3x5	2	
10	W01021	垫圈6.3×18×1.2	Washer 6.3×18×1.2	4	
11	417S30304	内六角圆柱头螺钉	Hexagon socket cylindrical head screw	4	

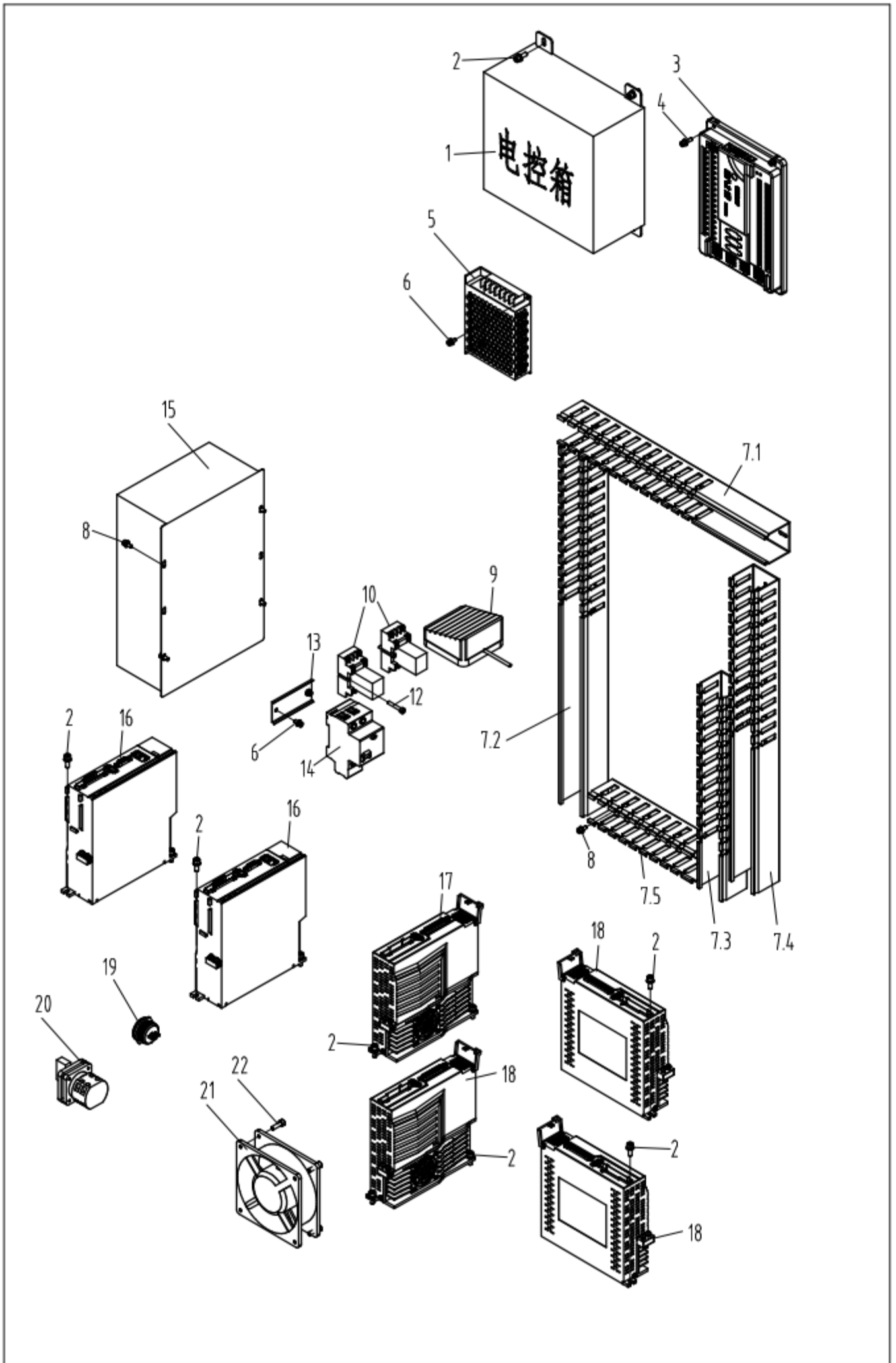
22. 气路部件/Air Path Components



22. 气路部件/Air Path Components

序号 NO	件号	零部件名称	NAME OF PARTS	数量	备注
1	210145076	电磁阀汇流板100M-13F	Solenoid valve manifold 100M-13F	1	
2	210145001	手滑SHV08	Hand slip SHV08	1	
3	210112006	滑动接头支架	Sliding joint bracket	1	
4	210130003	压力控制器PK510	Pressure controller PK510	1	
5	210145006	调理组合AR20001带支架	Conditioning combination AR20001 with bracket	1	
6	210145062	螺纹弯接头APL-602 (白色)	Threaded elbow APL-602 (white)	2	
7	210145008	直通转换PG6-4	Straight-through conversion PG6-4	1	
8	210145009	Y型三通转换PYW6-4	Y-type three-way conversion PYW6-4	1	
9	210145004	调理组合AFR20001带支架	Conditioning combination AFR20001 with bracket	1	
10	210145063	螺纹直通接头PC602	Threaded straight joint PC602	1	
11	210145005	螺纹三通PEB602-S	Threaded tee PEB602-S	1	
12	210145013	电磁阀4V110-06	Solenoid valve 4V110-06	29	
13	210145014	直通APL401-S	Straight APL401-S	38	
14	210145003	直通APL601-S	Straight APL601-S	8	
15	210145015	节流阀SL401	Throttle valve SL401	4	
16	210145016	消声器BPL-02	Muffler BPL-02	8	
17	210145007	螺纹弯接头APL-602	Threaded elbow APL-602	4	
18	210145012	电磁阀汇流板100M-16F	Solenoid valve manifold 100M-16F	1	

23. 电控部件/Electronic Control Components



23.电控箱部件/Electronic Control Components

序号 NO	件号	零部件名称	NAME OF PARTS	数量	备注
1	210130006	上亿一体机电控箱	Shangyi integrated machine electric control box	1	
2	421S13028	螺钉M5×14(带垫)	Screw M5×14 (with washer)	16	
3	210130007	端口扩展板	Port expansion board	1	
4	417S30034	内六角圆柱头螺钉 M4x14	Hexagon socket cylindrical head screw M4x14	4	
5	210130008	24V电源	24V power supply	1	
6	417S30025	十字槽小盘头螺钉	Cross recessed small pan head screw	4	
7.1	210153053	线槽5050	Trunking 5050	0.4M	
7.2	210153053	线槽5050	Trunking 5050	0.6M	
7.3	210153053	线槽5050	Trunking 5050	0.3M	
7.4	210153053	线槽5050	Trunking 5050	0.5M	
7.5	210153053	线槽5050	Trunking 5050	0.2M	
8	421S13012	螺钉M4×10(带垫)	Screw M4×10 (with washer)	17	
9	210130029	脚踏开关	Foot switch	1	
10	210130012	欣灵继电器	Xinling relay	2	
12	S05063	内六角圆柱头螺钉 M4×25	Hexagon socket cylindrical head screw M4×25	4	
13	210153056	导轨条35	Guide rail 35	1	
14	210130011	空气开关	Air switch	1	
15	210130004	激光电源	Laser power supply	1	
16	210130033	驱动器750W(汇川)	Driver 750W (Inovance)	2	
17	210130045	驱动器1000W(迪维迅P100S-75)	Driver 1000W (Diversion P100S-75)	1	
18	210130046	迪维迅驱动器(P100S-40)	Diversion driver (P100S-40)	3	
19	210130059	按钮红-自锁30mm	Red button - self-locking 30mm	2	
20	210130025	转换开关	Changeover switch	1	
21	210130005	散热风扇带铁网	Cooling fan with iron mesh	2	
22	S05124	螺钉M5×16(滚花)	Screw M5×16 (knurled)	8	
23	210130041-05	传感器线3芯4.4米	3-core sensor wire, 4.4 meters	4.4M	
24	210130030	开关电源线4米	Switch power cord, 4 meters	4M	
25	210130061-02	传感器线4.5米	Sensor wire 4.5 meters	4.5M	
26	210130061-01	传感器线3.2米	Sensor wire 3.2 meters	3.2M	

24.附件箱部件/Accessory Box Component

序号 NO	件号	零部件名称	NAME OF PARTS	数量	备注
1	210117001	机针MT190*14	Machine needle MT190*14	1	板
2	210118001	311梭芯	311 bobbin	3	
3	210131001	开口扳手8-10	Open-end wrench 8-10	1	
4	210131002	开口扳手5.5-7	Open-end wrench 5.5-7	1	
5	210128001	M4螺母	M4 nut	1	
6	210128002	M5螺母	M5 nut	1	
7	210145050	PU弹簧气管8*5	PU spring air tube 8*5	1	根
8	210145051	吹尘枪	Dust blowing gun	1	
9	210131003	内六角扳手7件套	7-piece hex key set	1	
10	210145052	三通6-8-6	Three-way joint 6-8-6	1	
11	210123001	小油壶	Small oil can	1	
12	210153002	海绵贴条3MM	Sponge strip 3MM	10	
13	210153003	海绵贴条2MM	Sponge strip 2MM	10	
14	210153004	砂纸贴条	Sandpaper strip	5	
15	210131004	一字刀	Flat-blade knife	1	
16	210130039	优盘	USB flash drive	1	
17	210131005	开袋机木箱	Box for bag opening machine	1	
18	210131006	开袋机木托	Wooden pallet for bag opening machine	1	
19	210131009	脚轮固定板	Caster fixing plate	4	
20	210153058	橡胶垫圈16x30x30	Rubber washer 16x30x30	1	